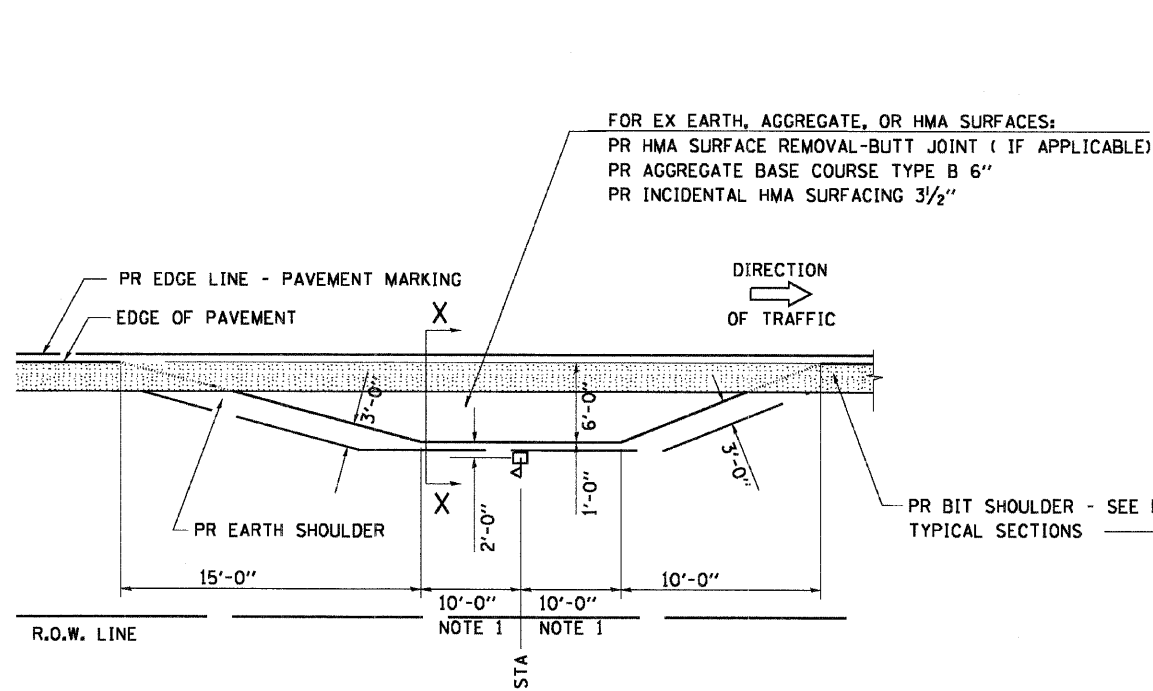
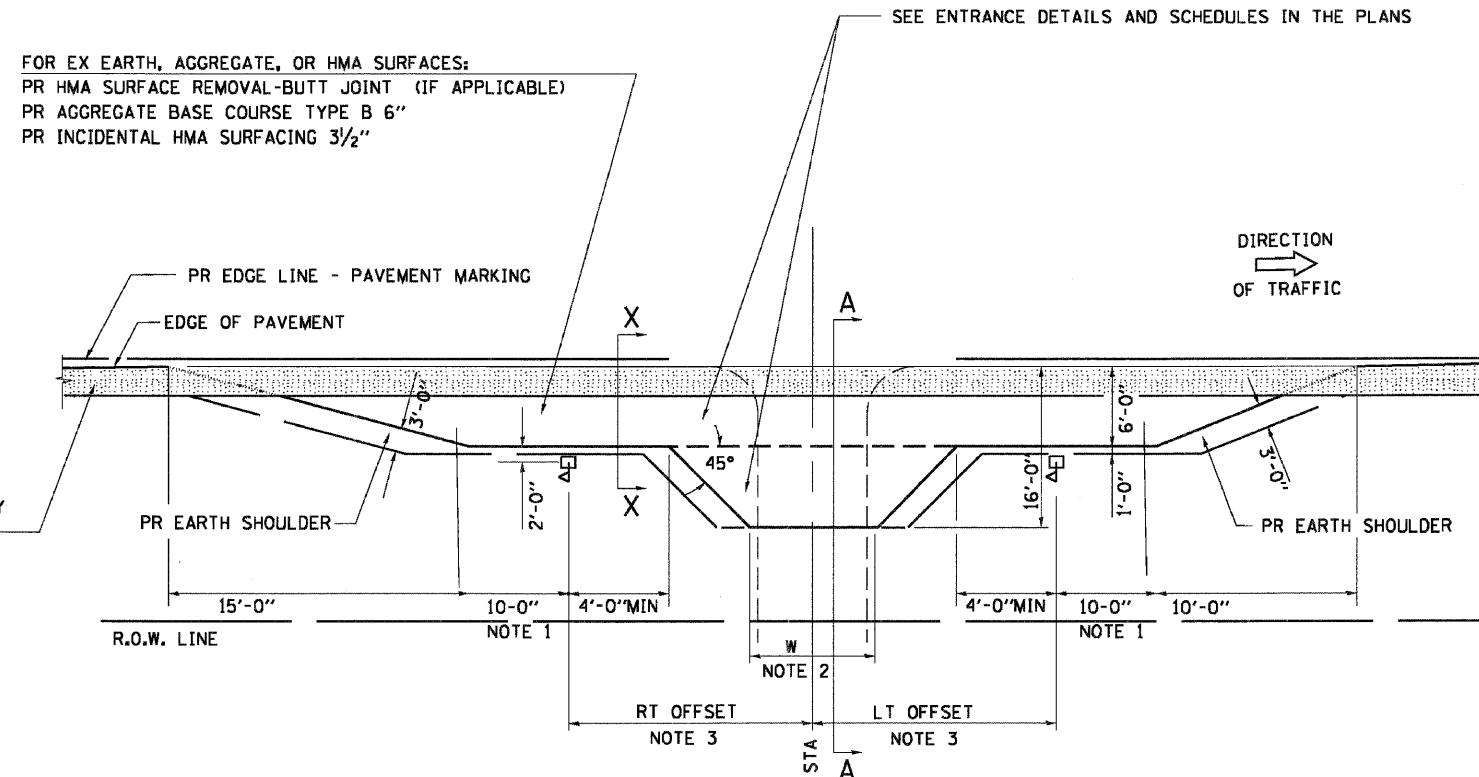


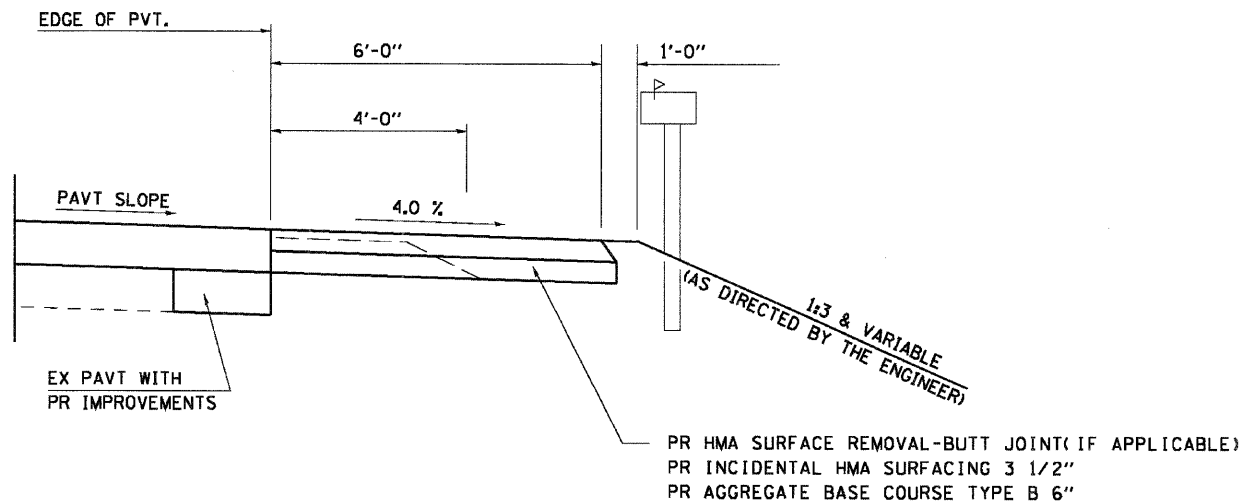
DETAILS OF MAILBOX TURNOUTS



PLAN - MAILBOX TURNOUTS



PLAN - COMBINED MAILBOX TURNOUT WITH TRAILING OR LEADING ENTRANCE



**SECTION X-X THRU MAILBOX TURNOUT
ALSO APPLIES TO MAILBOX TURNOUTS COMBINED WITH
EX EARTH, AGGREGATE, OR HMA PE & FE**

(DETAIL APPLIES WHEN M.B. TURNOUT DOES NOT EXIST.
IF EXISTING, TREAT SAME AS ENTRANCE.)

- NOTE 1 IF MORE THAN ONE MAILBOX IS PRESENT, DIMENSION FROM CENTER OF END MAILBOX.
- NOTE 2 FOR ENTRANCE LAYOUT DIMENSIONS AND SECTION A-A REFER TO THE SCHEDULES IN THE PLANS.
- NOTE 3 BOTH LT OR RT OFFSETS FOR MAILBOX SHOWN USE OFFSET DIMENSION PER SCHEDULE AND REFER TO LAYOUT SHOWN ON THE PLAN.