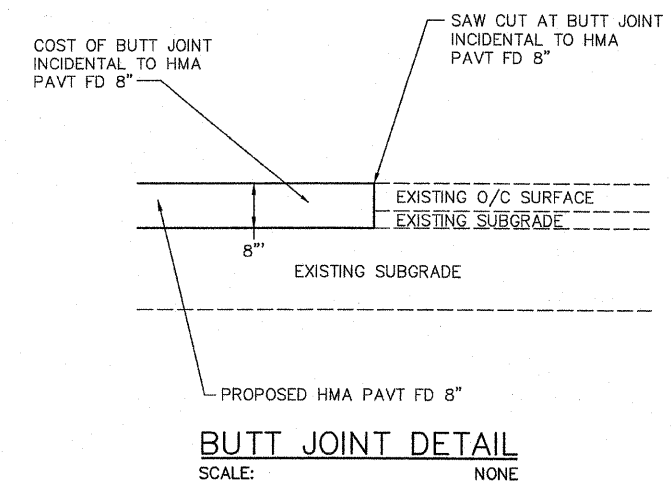
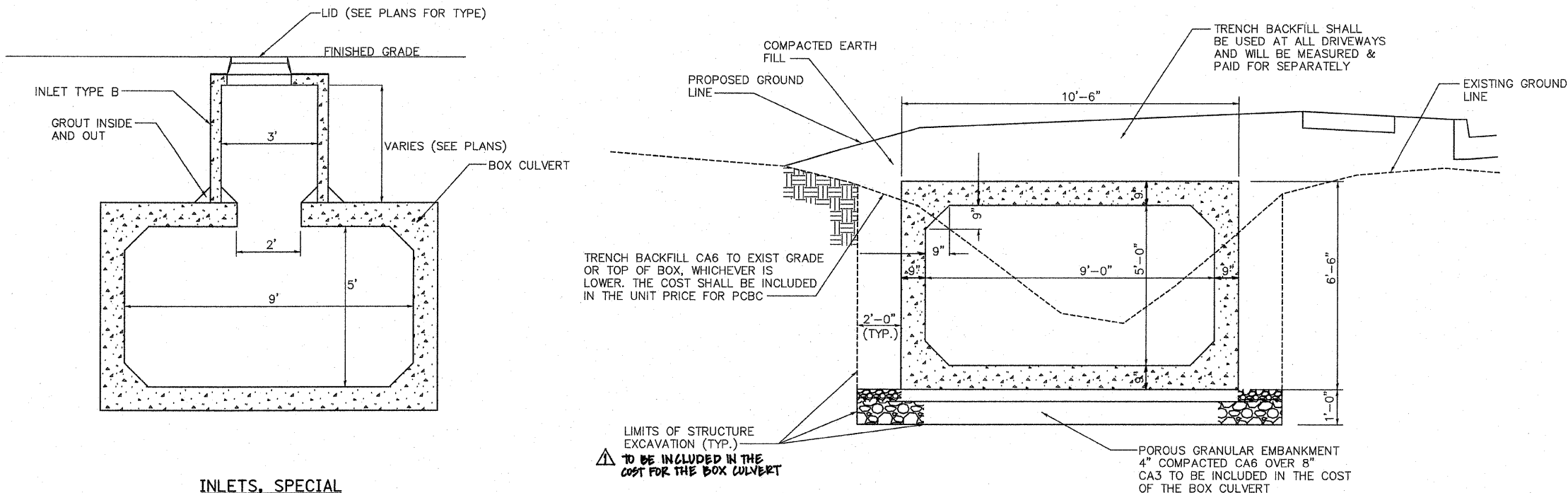
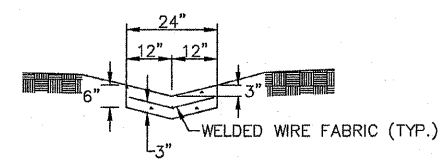


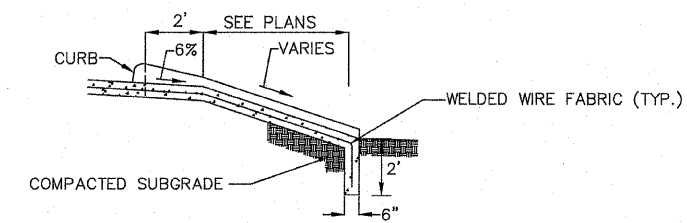
F.A. RTE.	SECTION	COUNTY	TOTAL SHEETS	SHEET NO.
9124	05-00085-01-FP 05-00085-02-FP	MADISON	61	31
STA. _____ TO STA. _____		FED. ROAD DIST. NO. _____ ILLINOIS FED. AID PROJECT		



**INLETS, SPECIAL**  
(NOT TO SCALE)

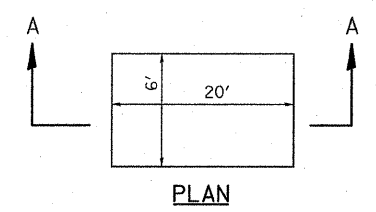


**SECTION B-B**

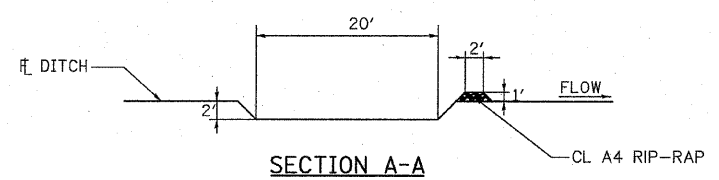


**SECTION A-A**

**PRECAST CONCRETE BOX CULVERT**  
(NOT TO SCALE)

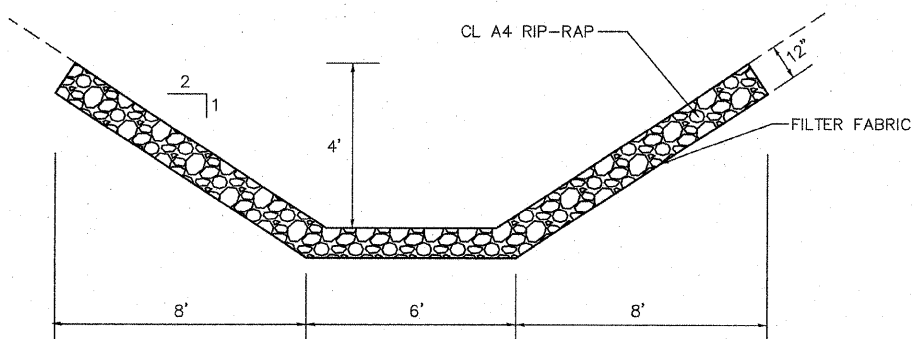


**PLAN**

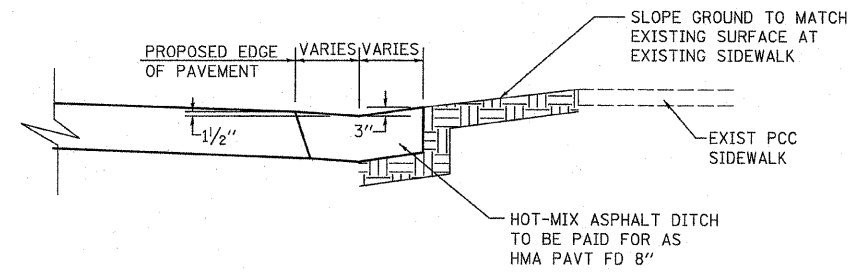


**SECTION A-A**

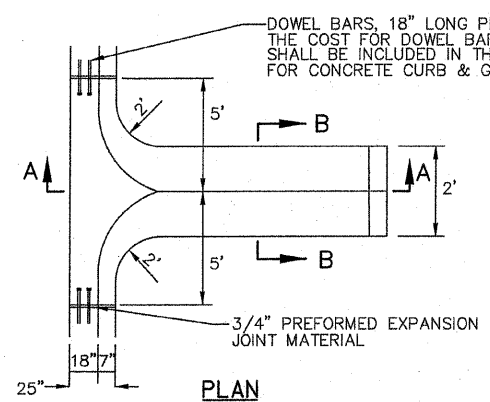
**SEDIMENT BASIN**  
(NOT TO SCALE)



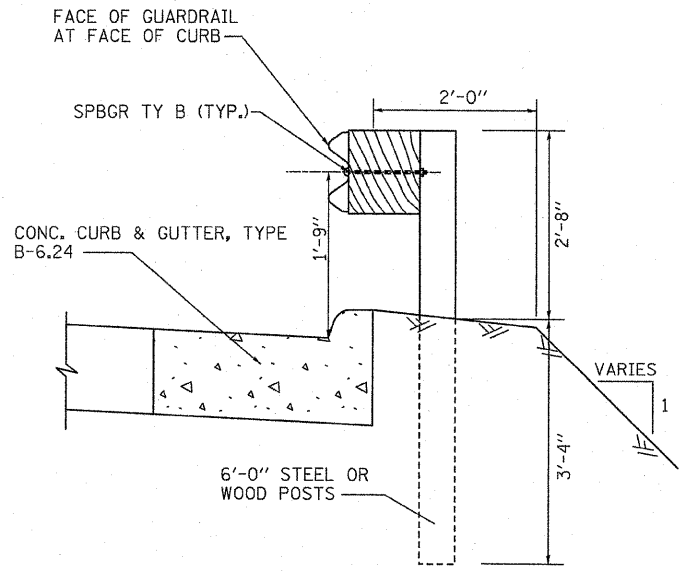
**RIP-RAP DITCH**  
(NOT TO SCALE)



**HOT-MIX ASPHALT DITCH**  
STA. 11+75 TO STA. 12+25 LT & RT  
SCALE: NONE



**GUTTER OUTLET**  
(NOT TO SCALE)



**STEEL PLATE BEAM GUARDRAIL**  
(NOT TO SCALE)

NOTES: THE CONSTRUCTION OF THE DRAINAGE OUTLET SHALL BE INCLUDED IN THE CONTRACT UNIT PRICE FOR CONCRETE CURB AND GUTTER.

REVISED 07/15/09