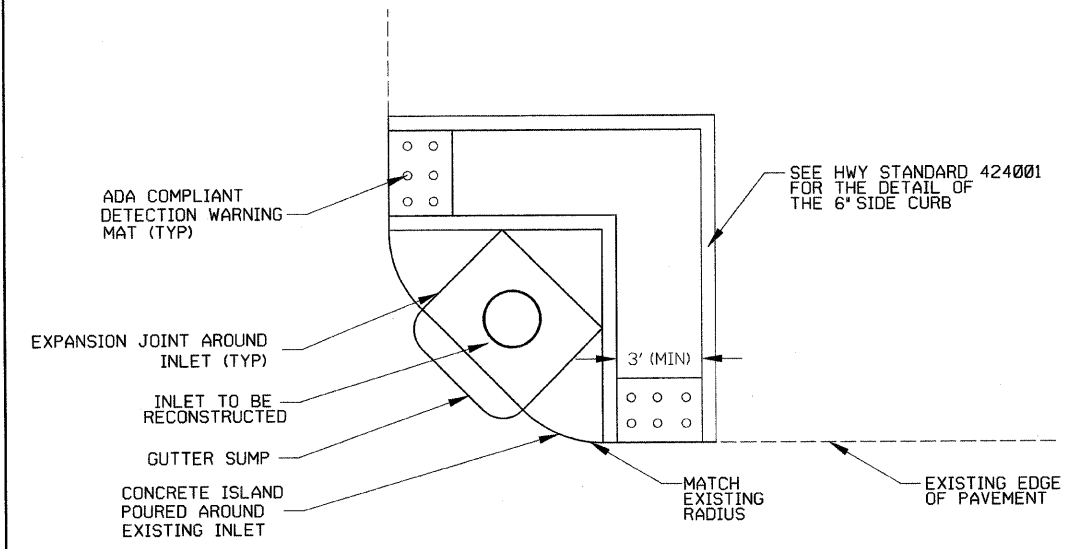
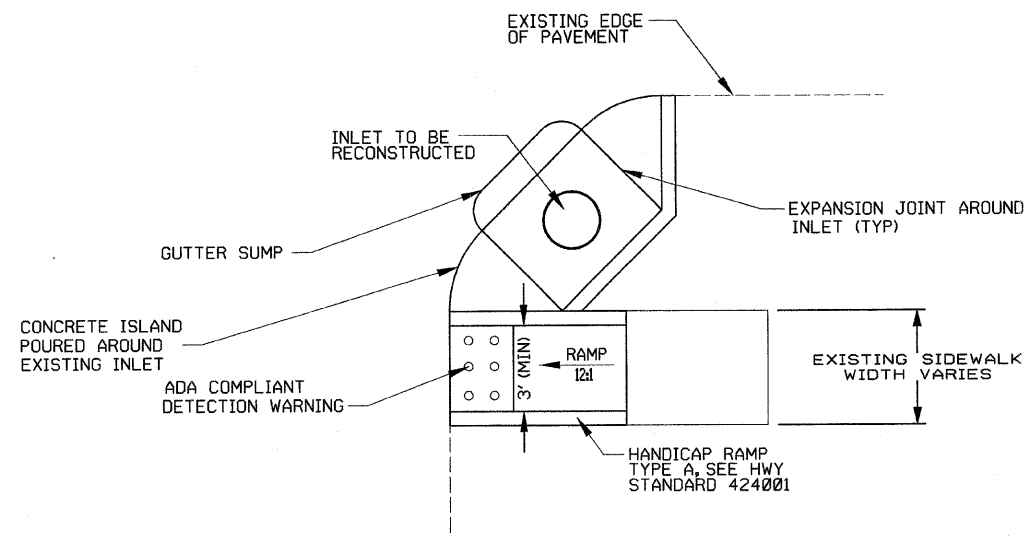


F.A.U. RTE.	SECTION	COUNTY	TOTAL SHEETS	SHEET NO.
9182	05-00186-07-FP	St. CLAIR	47	47
STA.		TO STA.		
FED. ROAD DIST. NO. 8		ILLINOIS		FED. AID PROJECT
CONTRACT NO. 97386				

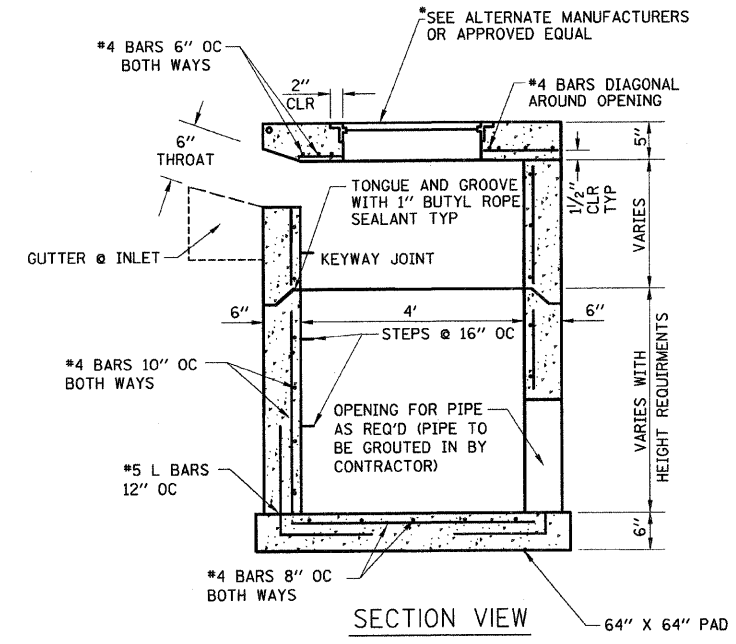
- ALTERNATE MANUFACTURERS
- 1. NEENAH R 1737 CAST IRON (CAST INTO LID)
- 2. EAST JORDAN IRON WORKS MODEL 1154 FRAME & COVER
- 3. ALHAMBRA FOUNDRY MODEL A-1425 FRAME & COVER



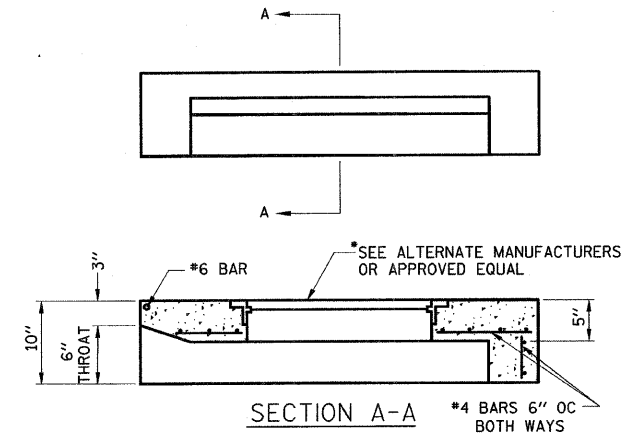
INLET TO BE RECONSTRUCTED  
PLAN VIEW @ 47TH STREET  
(N.T.S.)



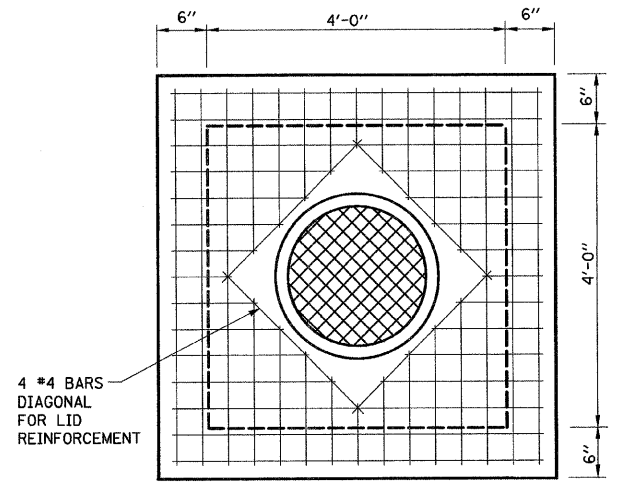
INLET TO BE RECONSTRUCTED  
PLAN VIEW  
(N.T.S.)



SECTION VIEW



SECTION A-A



PLAN VIEW

**INLET TO BE RECONSTRUCTED**  
(OR APPROVED EQUAL)  
NOT TO SCALE

REVISIONS	
NAME	DATE

ILLINOIS DEPARTMENT OF TRANSPORTATION

**DETAILS**

SCALE: VERT. NO SCALE  
DATE: 05/28/09

DRAWN BY: UJ  
CHECKED BY: JJC