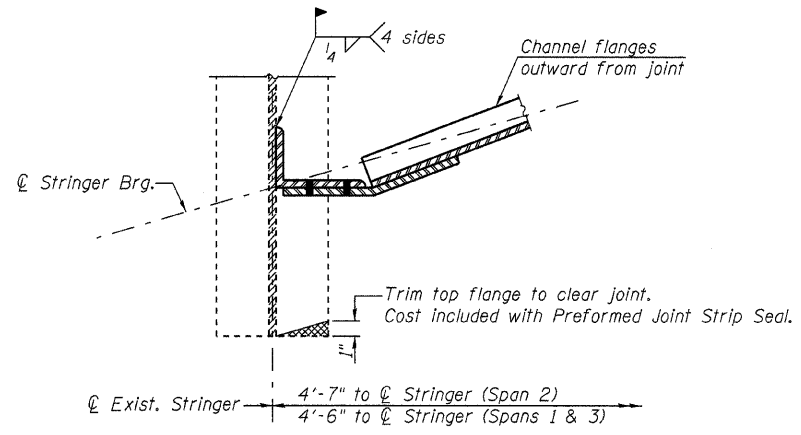
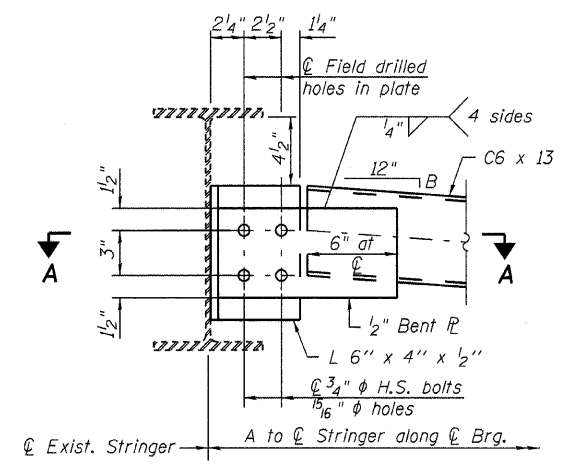


Contract #98910



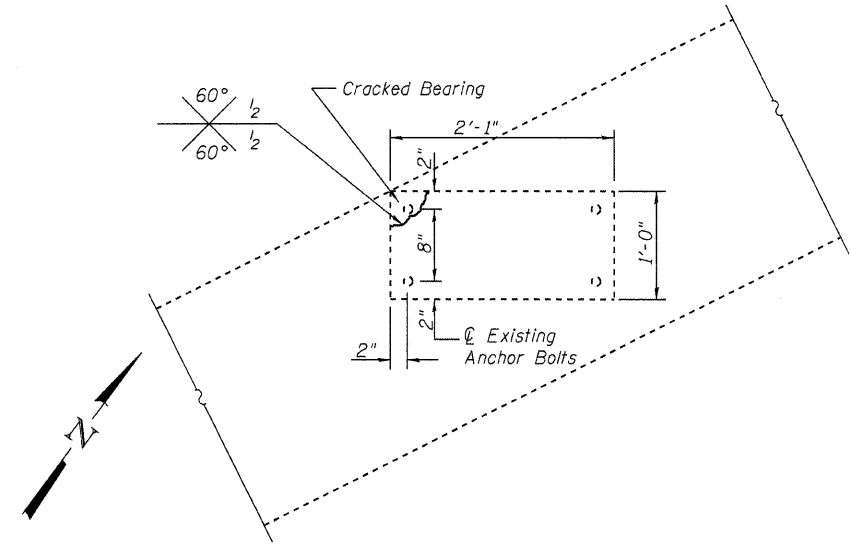
SECTION A-A



END DIAPHRAGM
(30 - Required)

Location	A
℄ Brg. S. Abut.	4'-8 1/8"
S. Brg. Pier 1	4'-8 1/8"
N. Brg. Pier 1	4'-9 1/8"
S. Brg. Pier 2	5'-0 1/8"
N. Brg. Pier 2	4'-11 1/8"
℄ Brg. N. Abut.	4'-11 1/8"

Notes:
Two hardened washers required for each set of oversized holes.
Contractor shall verify dimensions and measure slope "B" in field.



PLAN OF EXISTING WEST TRUSS BEARING AT NORTH ABUTMENT

LE LIN ENGINEERING, LTD.
Consulting Engineers
Chatham, Illinois

Designed By: DLS Checked By: STD Drawn By: A.J.F.
Date: Feb 2009 File: 022-0009.dgn

ILLINOIS DEPARTMENT OF TRANSPORTATION
MISCELLANEOUS DETAILS
OLD ILLINOIS ROUTE 3
OVER SEXTON CREEK
S.B.I. ROUTE 150 - SECTION (133A)D.1
ALEXANDER COUNTY
STATION 1212+84.95
STRUCTURE NO. 002-0009

3/1/2009 11:48:04 AM ...\\2009_revisions\002-0009.dgn