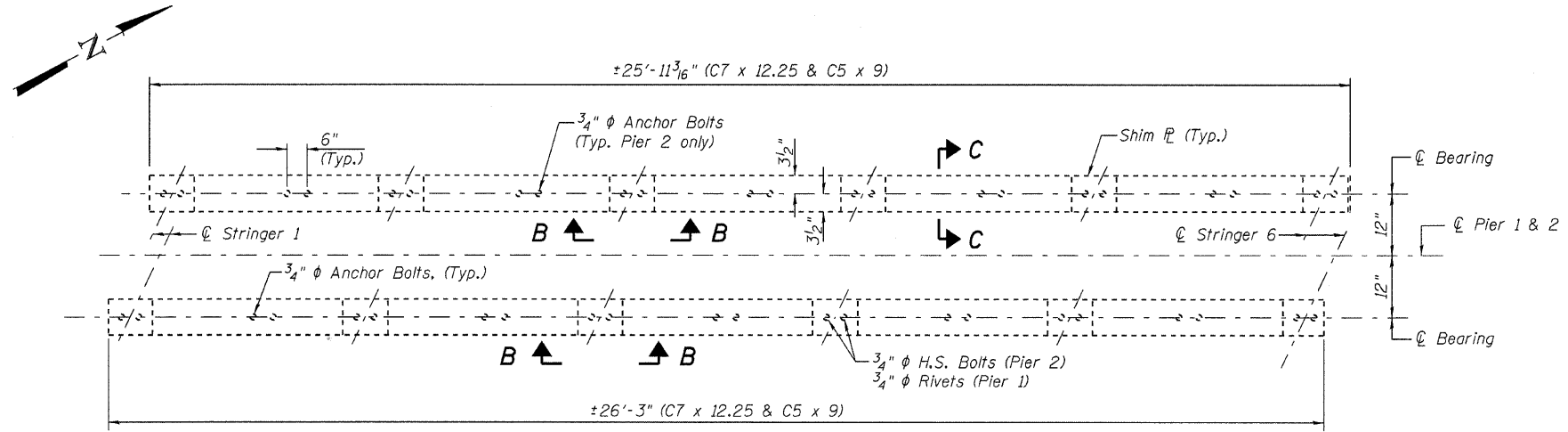
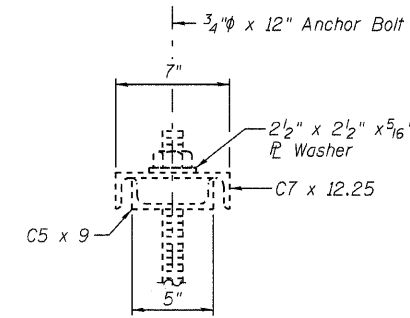


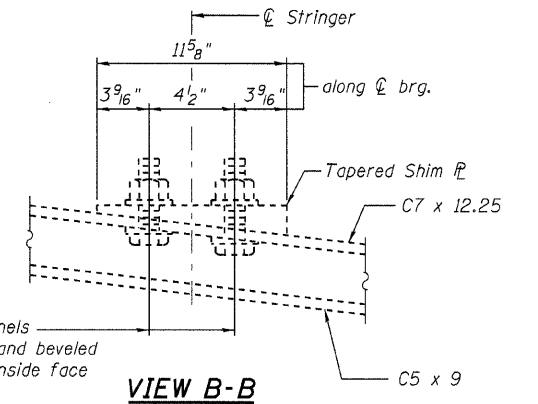
Contract #98910



**EXISTING STRINGER BEARINGS PLAN AT PIERS 1 & 2**

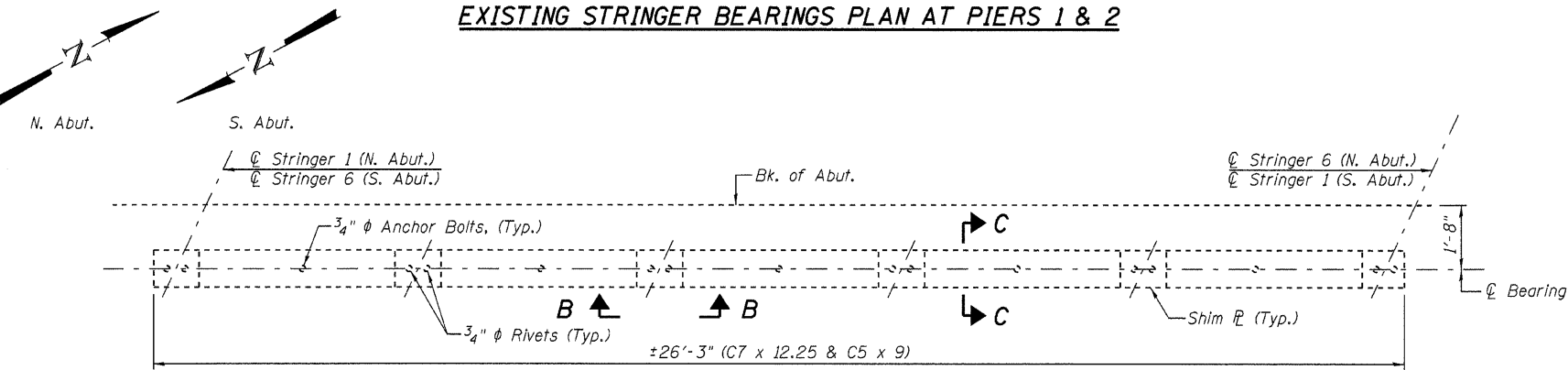


**SECTION C-C**

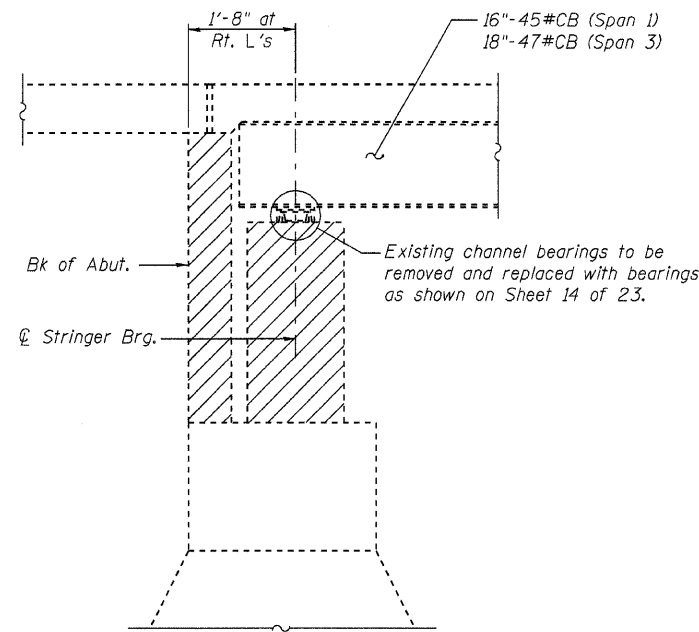


**VIEW B-B**

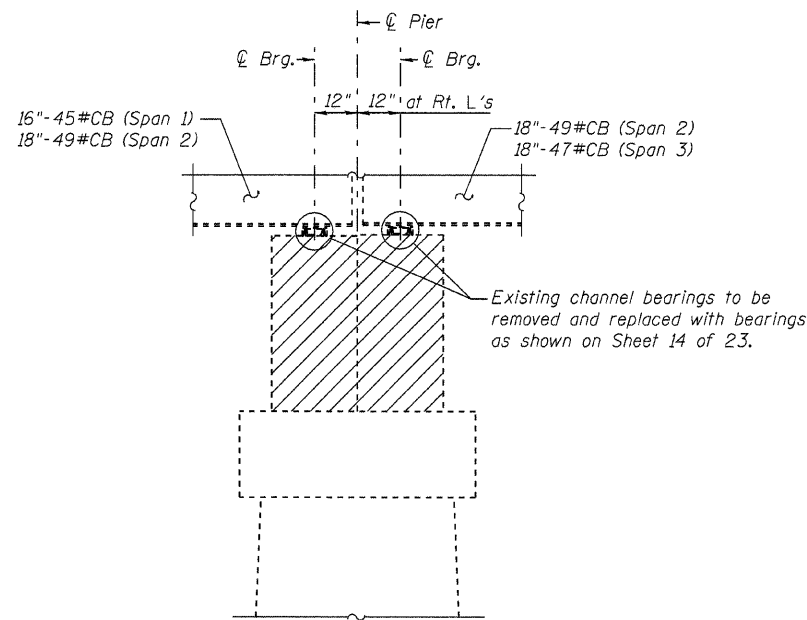
Pier 2 -  $\varnothing 1 5/16$ "  $\varnothing$  Hole in  $\bar{P}$  and Channels for  $3/4$ "  $\varnothing$  H.S. Bolt with nut and beveled washer, tack welded bolt to inside face of C7.  
 Pier 1 -  $3/4$ "  $\varnothing$  Rivets  
 Abutments -  $3/4$ "  $\varnothing$  Rivets



**EXISTING STRINGER BEARINGS PLAN AT ABUTMENTS**



**SECTION THRU EXISTING ABUTMENTS**



**SECTION THRU EXISTING PIERS**

**BILL OF MATERIAL**

Item	Unit	Total
Jack & Remove Existing Bearings	Each	36

Notes:  
 Max. Stringer  $\varnothing$  Reaction due to self weight = 590#  
 Hatched areas indicate Concrete Removal.  
 See Sheet 18 of 23 for limits and quantity.

ILLINOIS DEPARTMENT OF TRANSPORTATION  
**STRINGER BEARING REMOVAL**  
 OLD ILLINOIS ROUTE 3  
 OVER SEXTON CREEK  
 S.B.I. ROUTE 150 - SECTION (133A)D.1  
 ALEXANDER COUNTY  
 STATION 1212+84.95  
 STRUCTURE NO. 002-0009

**LE** LIN ENGINEERING, LTD.  
 Consulting Engineers  
 Chatham, Illinois  
 Designed By: DLS  
 Checked By: STD  
 Drawn By: AJF  
 Date: Feb 2009  
 File: 002-0009.dgn

... \2009\_revisions\002-0009.dgn

11:48:08 AM

3/17/2009