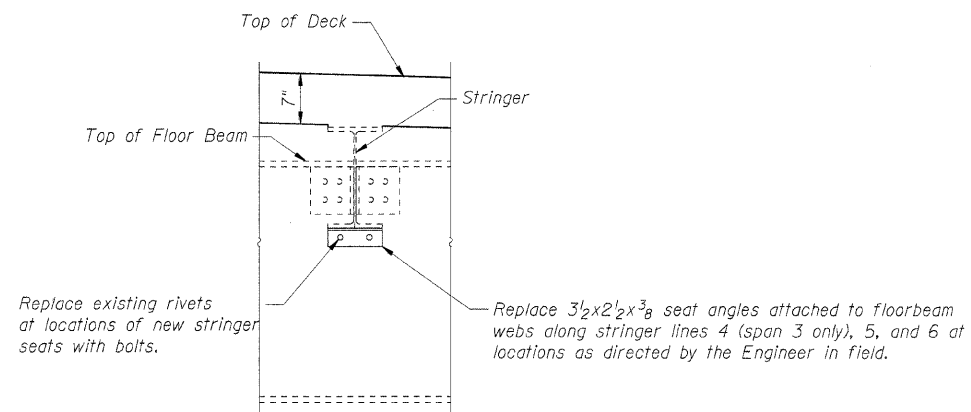
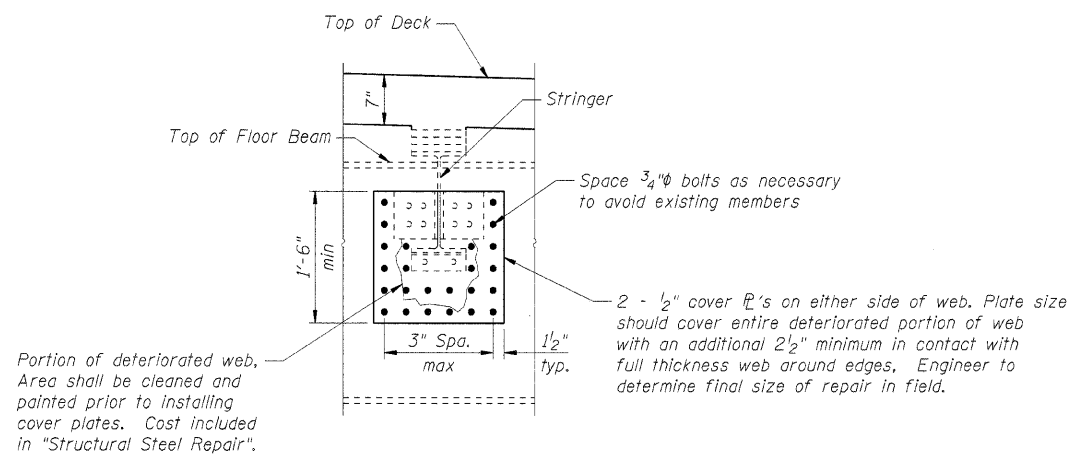


PROJECT NO.	SECTION	COUNTY	TOTAL SHEETS	SHEET NO.	SHEET NO. 16
S.B.I. 150	(133A) D, I	Alexander	32	23	23 SHEETS
FED. ROAD DIST. NO. 7	ILLINOIS	FED. AID PROJECT			

Contract #98910

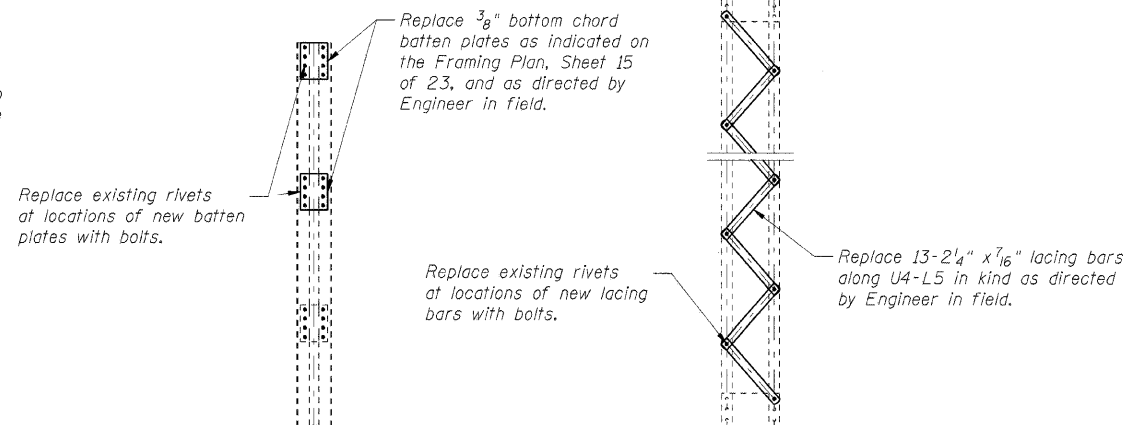


**STRINGER SEAT REPLACEMENT DETAIL**



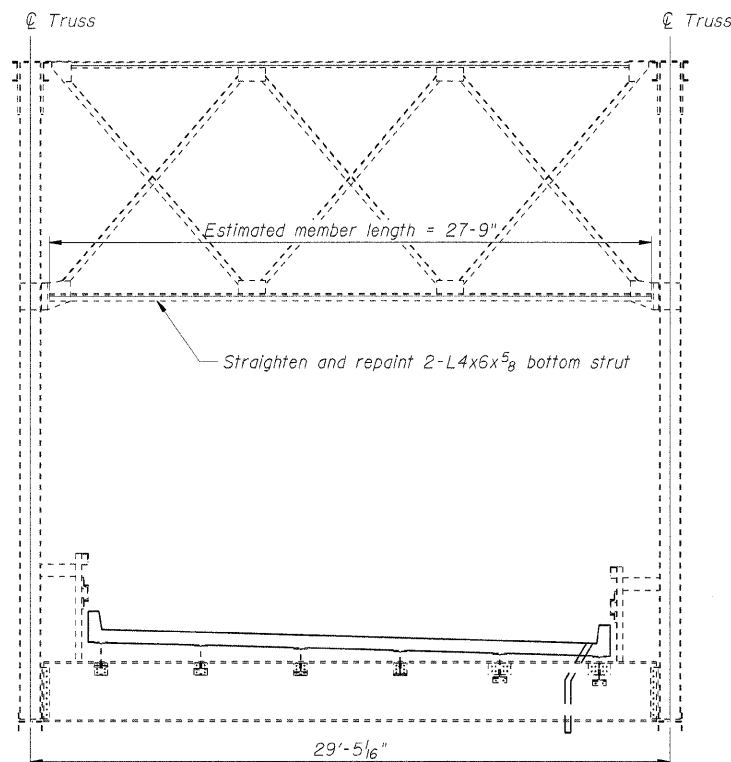
**FLOOR BEAM WEB REPAIR DETAIL**

NOTE: Existing stringer to be shortened as necessary to accommodate floor beam web repairs. Contractor shall be responsible for retrofitting stringer end connection as necessary as approved by Engineer.

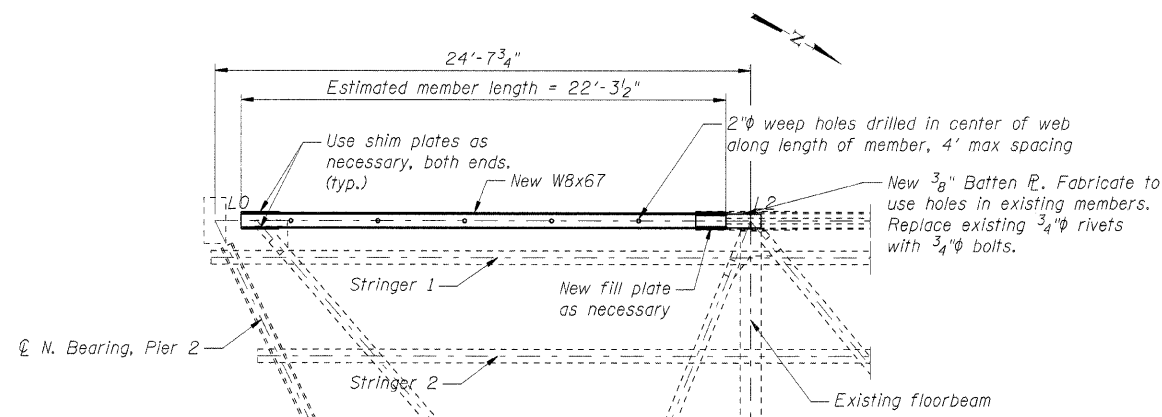


**PLAN DETAIL A**

**PLAN DETAIL B**  
(Span 3)



**SOUTH END PORTAL SPAN 2**



**BOTTOM CHORD REPLACEMENT SPAN 3**

**MEMBER SERVICE FORCES**

LOADING	AXIAL (kips)
Steel DL only	2.2
25 psf DL	1.2

**NOTES:**

- All steel repairs shown on this Sheet to be paid for under "Structural Steel Repair".
- Existing rivets in spans 1 and 3 are 3/4", existing rivets in span 2 are 1/2" according to record plans. Replace rivets with a bolt equal to existing rivet diameter.

**TENG** TENG & ASSOCIATES, INC.  
ENGINEERS/ARCHITECTS/PLANNERS  
CHICAGO, ILLINOIS

Designed By: TCO    Checked By: ALR    Drawn By: TCO  
Date: Feb. 2009    File: S1021A001.SMT

ILLINOIS DEPARTMENT OF TRANSPORTATION  
STEEL REPAIR DETAILS  
OLD ILLINOIS ROUTE 3  
OVER SEXTON CREEK  
S.B.I. ROUTE 150 - SECTION (133A)D, I  
ALEXANDER COUNTY  
STATION 1212+84.95  
STRUCTURE NO. 002-0009

C:\IC-WORKSPACE\CALLTC\AM-FS-00144.D-TRANS\_07\2202\3666-01\STRUCT\CAD\02 PHASE II\IA TENG\SHEET\ST021A001.SMT

CALLTC

2-23-2009, 10:29:05