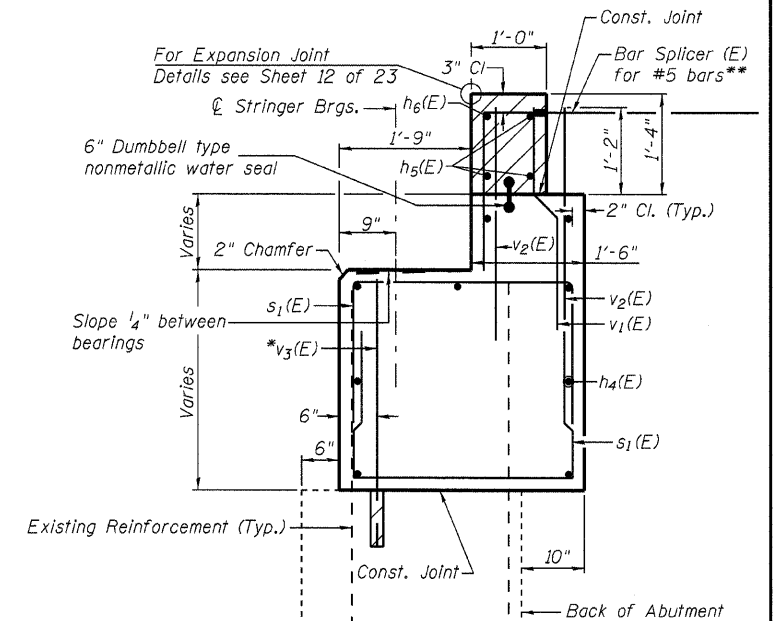


**ELEVATION**  
(Looking South)

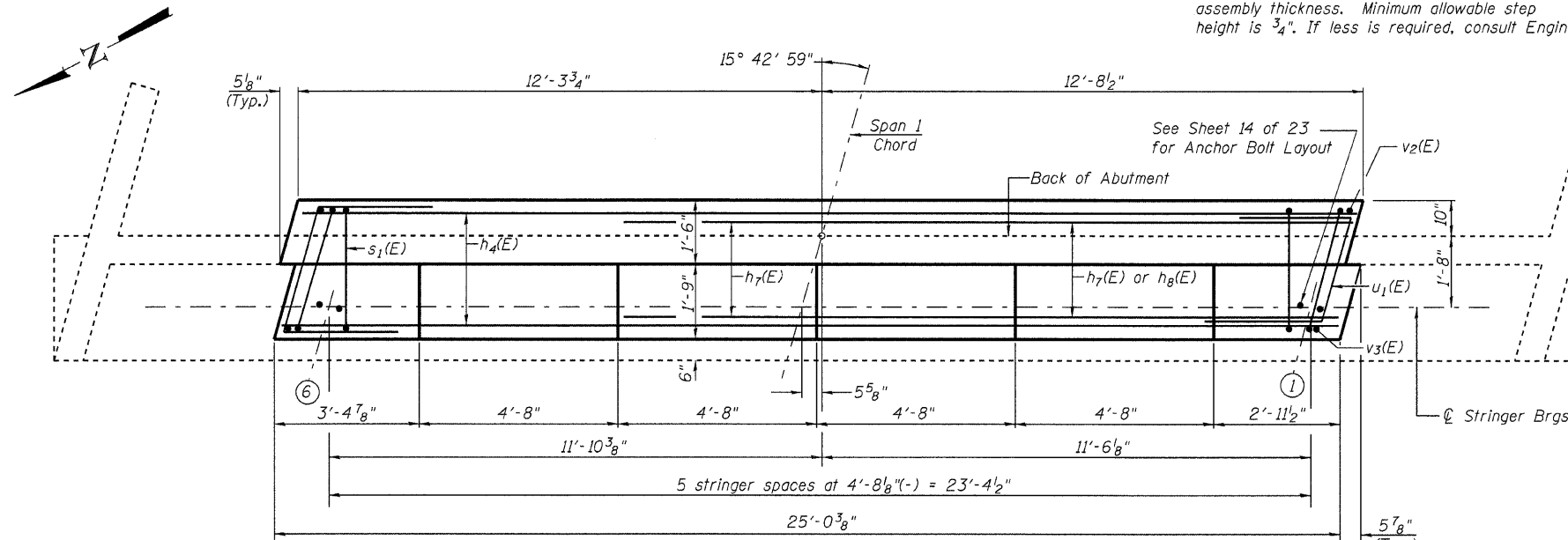
- \* Drill and Epoxy Grout 9" min. embedment (Typ.)
- \*\* Alternate bar splicers with v<sub>2</sub>(E) bars. Place parallel to stringers
- \*\*\* Contractor is to determine bearing seat elevation by field surveying the bottom of stringer elevations and subtracting the 2 1/4" bearing assembly thickness. Minimum allowable step height is 3/4". If less is required, consult Engineer.



**SECTION THRU ABUTMENT**  
(At right angles)

**BILL OF MATERIAL**  
(South Abutment)

Bar	No.	Size	Length	Shape
d(E)	4	#5	2'-4"	L
d <sub>1</sub> (E)	4	#5	2'-0"	L
h <sub>4</sub> (E)	9	#5	24'-8"	—
h <sub>5</sub> (E)	3	#6	24'-7"	—
h <sub>6</sub> (E)	1	#5	24'-7"	—
h <sub>7</sub> (E)	3	#5	17'-1"	—
h <sub>8</sub> (E)	3	#5	7'-10"	—
s <sub>1</sub> (E)	52	#5	8'-11"	U
u <sub>1</sub> (E)	8	#6	8'-1"	J
v <sub>1</sub> (E)	26	#5	2'-9"	—
v <sub>2</sub> (E)	52	#4	3'-1"	—
v <sub>3</sub> (E)	26	#5	4'-8"	—
Structure Excavation		Cu. Yd.	13.7	
Reinforcement Bars, Epoxy Coated		Pound	1360	
Concrete Structures		Cu. Yd.	11.8	
Concrete Sealer		Sq. Ft.	193	
Structural Repair of Concrete (Depth ≤ 5")		Sq. Ft.	2.0	



**PLAN**

(Hatched area not shown for clarity)

**Notes:**

Hatched area to be poured after false work has been removed. Quantity of concrete included with Concrete Superstructure.  
 Concrete sealer shall be applied to all exposed faces of new concrete under the joint.  
 Cross Hatch area represents Structural Repair of Concrete. The quantities shown are for estimating purposes only. The area to be repaired will be determined by the Engineer at the time of construction.  
 For details of d(E) and d<sub>1</sub>(E) bars, see Sheet 10 of 23.  
 For details of Bar Splicers, see Sheet 23 of 23.  
 Space reinforcement in cap to miss Anchor Bolts.  
 Pour steps monolithically with cap.

