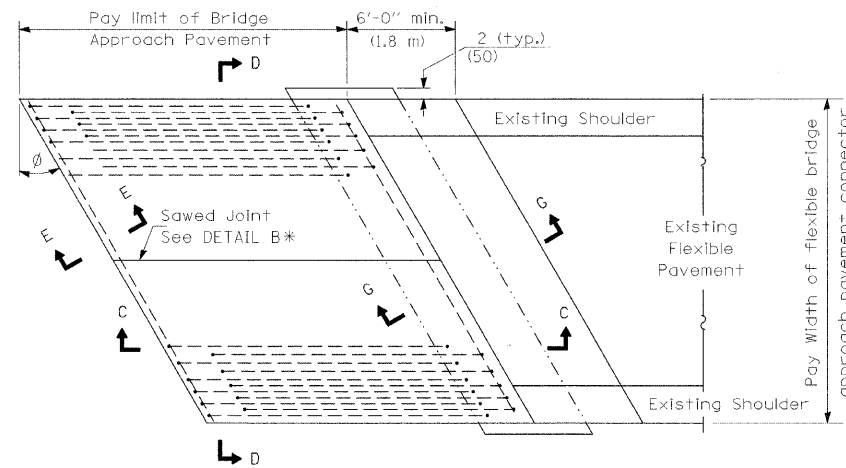
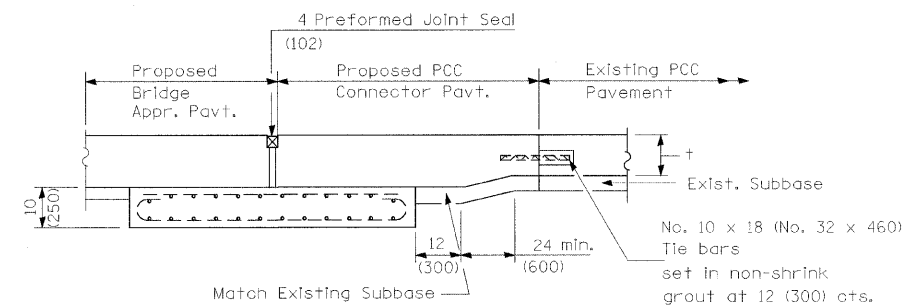


EXISTING CONSTRUCTION

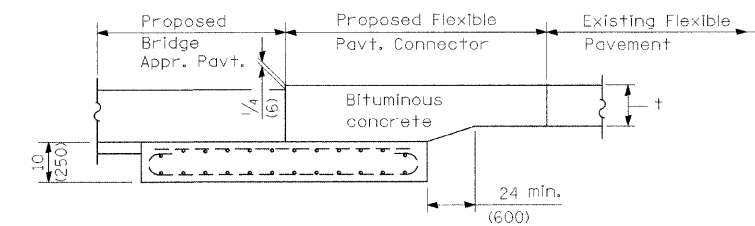
BRIDGE APPROACH PAVEMENT CONNECTOR (PCC)



BRIDGE APPROACH PAVEMENT CONNECTOR (FLEXIBLE)



SECTION G-G - RIGID PAVEMENT



SECTION G-G - FLEXIBLE PAVEMENT

FILE NAME =	USER NAME = halsteadw	DESIGNED - ---	REVISED - ---	<b>STATE OF ILLINOIS DEPARTMENT OF TRANSPORTATION</b>	<b>BRIDGE APPROACH PAVEMENT DETAIL OLD IL ROUTE 3 OVER SEXTON CREEK</b>	S.B.I. RTE.	SECTION	COUNTY	TOTAL SHEETS	SHEET NO.	
C:\Documents and Settings\halsteadw\Local Settings\Temporary Internet Files\Content...	DRAWN: 01B4F3\@-bridge appr.dgn	CHECKED - ---	REVISED - ---			150	(133A)D, I	ALEXANDER	32	32A	
PLOT SCALE = 1:2000' / IN.	DATE - 11/2008					CONTRACT NO. 98910					
PLOT DATE = 4/29/2009						FED. ROAD DIST. NO. - ILLINOIS FED. AID PROJECT					
					SCALE: N.T.S.	SHEET NO. ___ OF ___ SHEETS	STA. _____	TO STA. _____			