



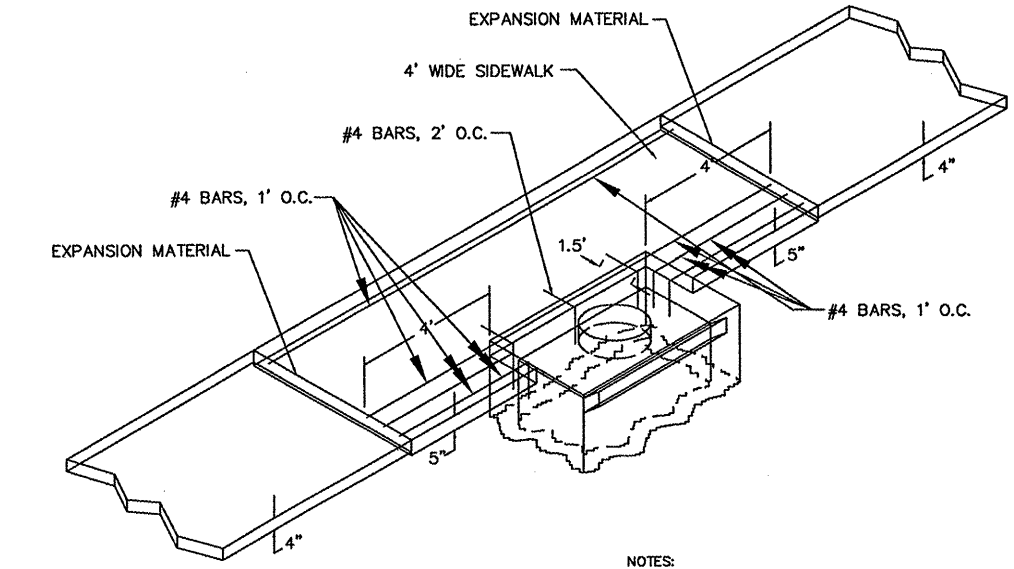
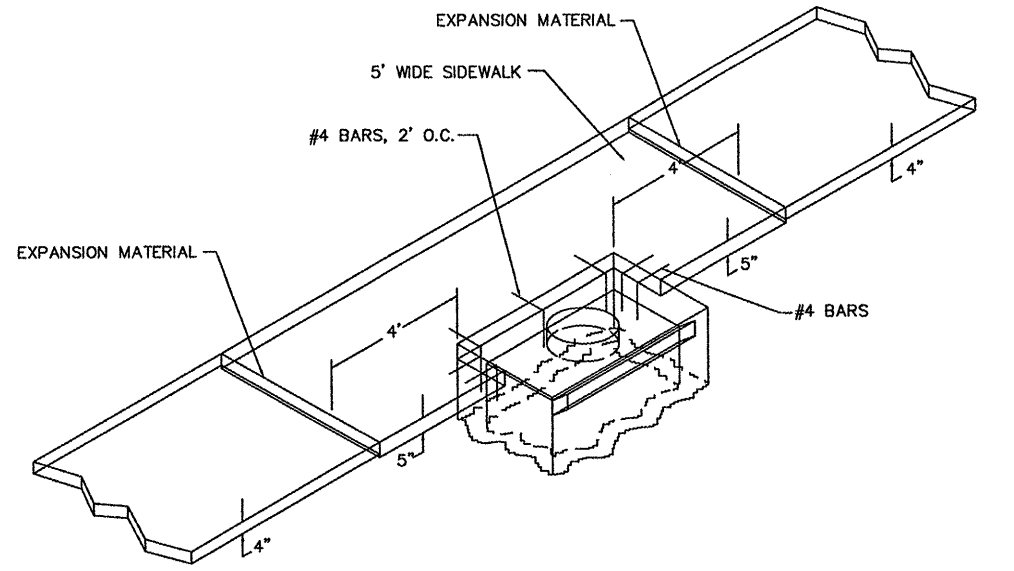
- CORPORATE OFFICE**  
 4940 OLD COLLINSVILLE RD.  
 SWANSEA, ILLINOIS 62226  
 TEL (618) 624-4488  
 FAX (618) 624-6688  
 info@twm-inc.com
- CARBONDALE OFFICE**  
 206 WEST COLLEGE STREET  
 CARBONDALE, ILLINOIS 62901  
 TEL (618) 549-8844  
 FAX (618) 549-8450  
 info@twm-inc.com
- EDWARDSVILLE OFFICE**  
 1015B CENTURY DRIVE  
 EDWARDSVILLE, ILLINOIS 62025  
 TEL (618) 656-4040  
 FAX (618) 656-4343  
 info@twm-inc.com
- ST. CHARLES OFFICE**  
 400 NORTH 5TH ST., SUITE 101  
 ST. CHARLES, MISSOURI 63301  
 TEL (636) 724-8300  
 FAX (636) 724-8304  
 info@twm-inc.com
- WATERLOO OFFICE**  
 113 SOUTH MAIN STREET  
 WATERLOO, ILLINOIS 62298  
 TEL (618) 939-5050  
 FAX (618) 939-3938  
 info@twm-inc.com

| PROFESSIONAL REGISTRATIONS          | LICENSE NO. |
|-------------------------------------|-------------|
| ILLINOIS PROFESSIONAL DESIGN FIRM   | 184-001220  |
| PROFESSIONAL ENGINEERING CORP.      | 02-035370   |
| PROFESSIONAL STRUCTURAL ENGR. CORP. | 01-005202   |
| ILLINOIS PROF. LAND SURVEYING CORP. | 048-000029  |
| MISSOURI PROFESSIONAL ENGR. CORP.   | NC 001528   |
| MISSOURI LAND SURVEYING CORP.       | NC 000348   |

**SPECIAL DETAILS**  
 SOUTH MARION STREET  
 CITY OF CARBONDALE  
 JACKSON COUNTY, ILLINOIS

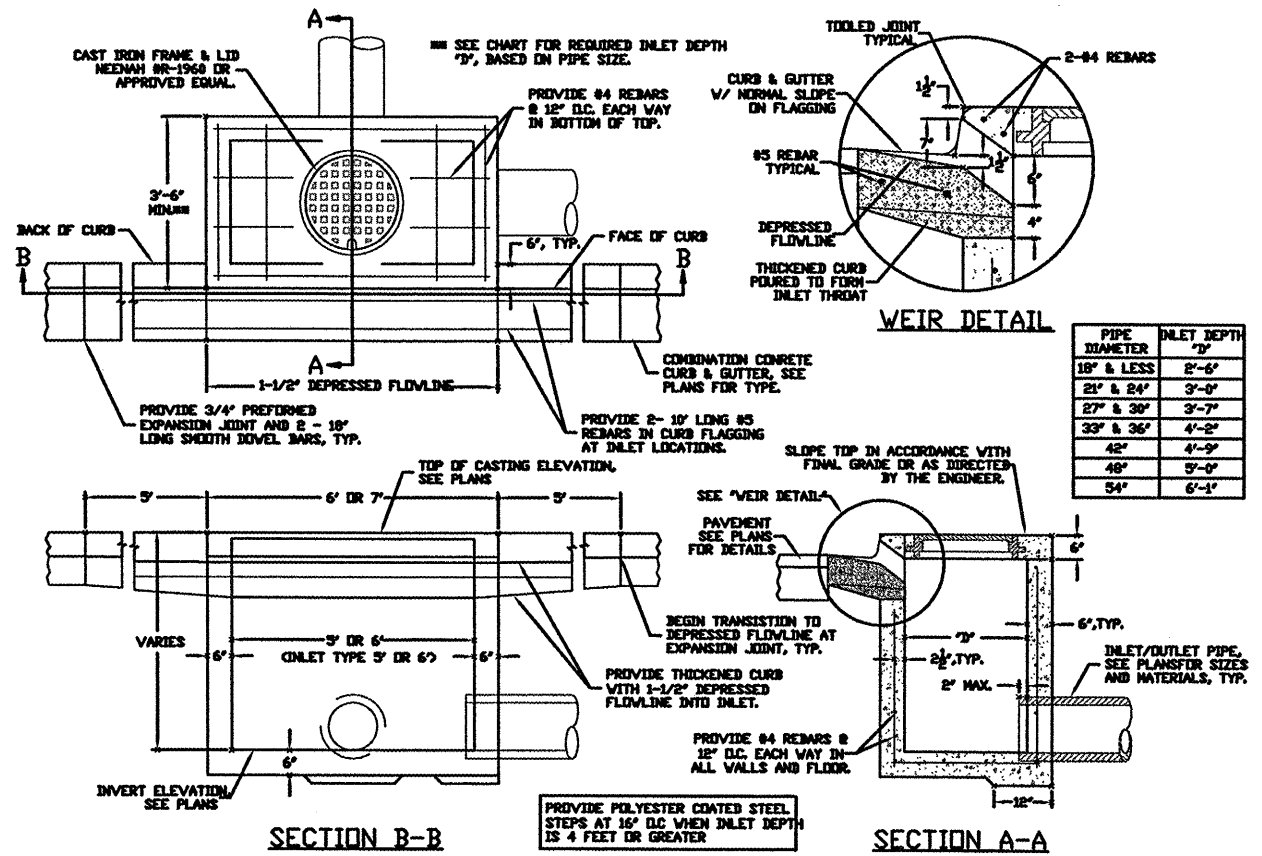
| REV. | DATE | DESCRIPTION |
|------|------|-------------|
|      |      |             |
|      |      |             |
|      |      |             |

|   |  |
|---|--|
| PLAN STATUS:  |  |
| <b>FINAL</b>  |  |
| <input checked="" type="checkbox"/> ISSUED FOR REVIEW<br><input type="checkbox"/> ISSUED FOR CONSTR.<br>DRAWN BY: JJV<br>DESIGNED BY: JJV<br>CHECKED BY: SJK<br>APPROVED BY: JJV<br>PROJECT NUMBER: T06090142 | <input type="checkbox"/> ISSUED FOR BIDDING<br><input type="checkbox"/> RECORD DRAWING<br>SHEET<br><div style="font-size: 2em; text-align: center;">16</div> OF 24 SHEETS<br>PROJECT DESCRIPTION |



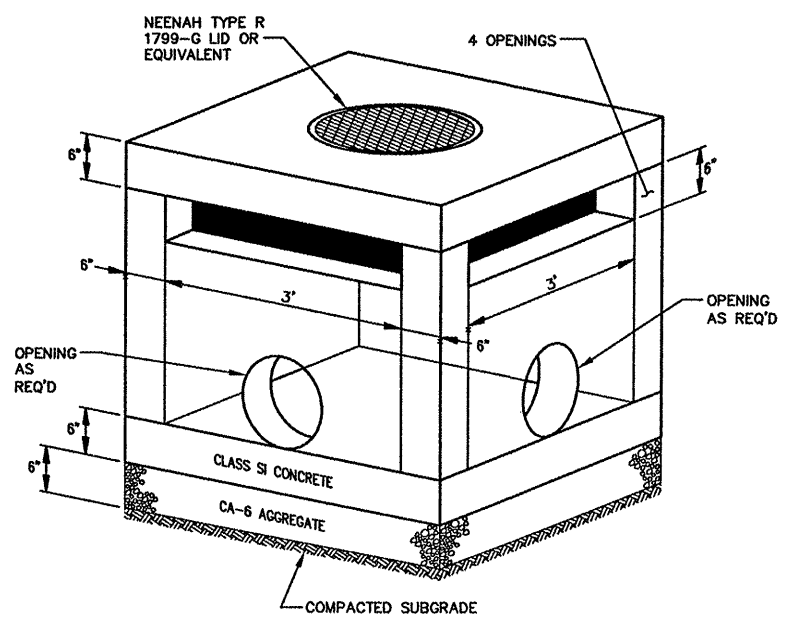
- NOTES:
- PAYMENT FOR THIS WORK SHALL BE AT THE CONTRACT UNIT PRICE PER SQUARE FOOT FOR PCC SIDEWALK 4". NO ADDITIONAL COMPENSATION WILL BE MADE FOR THE REBAR REINFORCEMENT.
  - 5/8" HOOK BARS WITH THREADED COUPLING MAY BE USED IN LIEU OF THE #4 REBARS. (SEE STD. 420001)

**INLET / SIDEWALK JOINT**  
NO SCALE



| PIPE DIAMETER | INLET DEPTH |
|---------------|-------------|
| 18" & LESS    | 2'-6"       |
| 21" & 24"     | 3'-0"       |
| 27" & 30"     | 3'-7"       |
| 33" & 36"     | 4'-2"       |
| 42"           | 4'-9"       |
| 48"           | 5'-0"       |
| 54"           | 6'-1"       |

**INLET SPECIAL TYPE 3, 5' OR 6' DETAIL**  
NO SCALE



**3'X3' AREA INLET**  
**INLET, SPECIAL #2**