

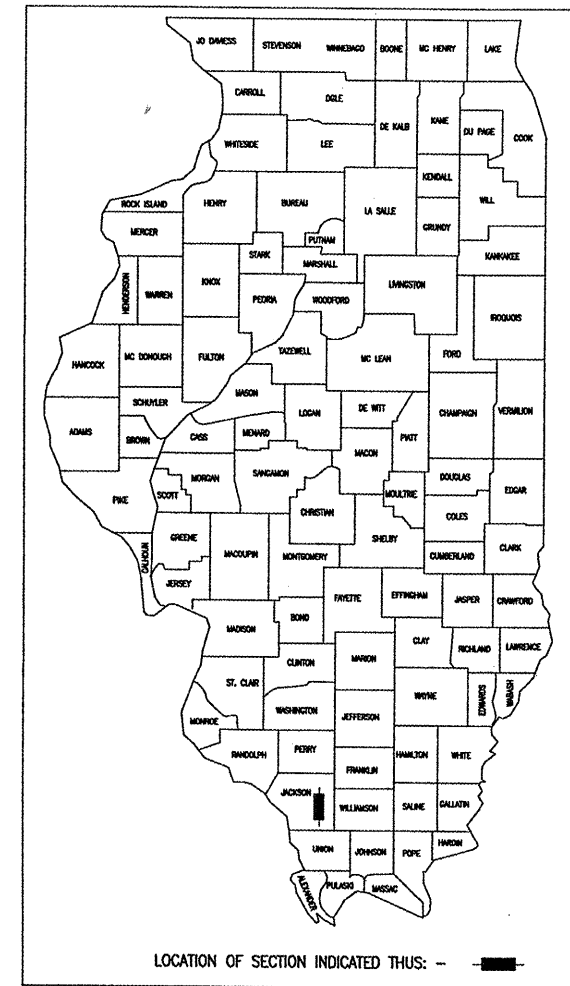
STATE OF ILLINOIS  
DEPARTMENT OF TRANSPORTATION  
PLANS FOR PROPOSED  
AMERICAN RECOVERY AND REINVESTMENT ACT OF 2009

F.U. ROUTE	SECTION	COUNTY
9723	09-00123-00-FP	JACKSON
FEDERAL AID PROJECT		ILLINOIS

THOUVENOT,  
WADE &  
MOERCHEN, INC.  
ENGINEERS ♦ SURVEYORS ♦ PLANNERS



- CORPORATE OFFICE  
4940 OLD COLLINSVILLE RD.  
SWANSEA, ILLINOIS 62226  
TEL (618) 624-4488  
FAX (618) 624-6888  
info@twm-inc.com
- CARBONDALE OFFICE  
208 WEST COLLEGE STREET  
CARBONDALE, ILLINOIS 62901  
TEL (618) 549-8844  
FAX (618) 549-8450  
info@twm-inc.com
- EDWARDSVILLE OFFICE  
10159 CENTURY DRIVE  
EDWARDSVILLE, ILLINOIS 62025  
TEL (618) 656-4040  
FAX (618) 656-4343  
info@twm-inc.com
- ST. CHARLES OFFICE  
400 NORTH 8TH ST., SUITE 101  
ST. CHARLES, MISSOURI 63301  
TEL (636) 724-8300  
FAX (636) 724-8304  
info@twm-inc.com
- WATERLOO OFFICE  
113 SOUTH MAIN STREET  
WATERLOO, ILLINOIS 62298  
TEL (618) 939-5050  
FAX (618) 939-3938  
info@twm-inc.com



INDEX OF SHEETS

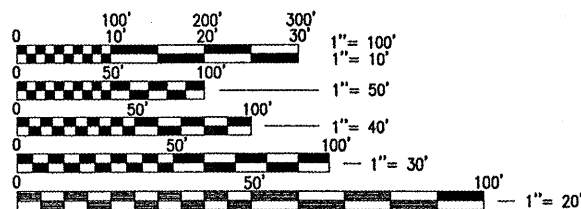
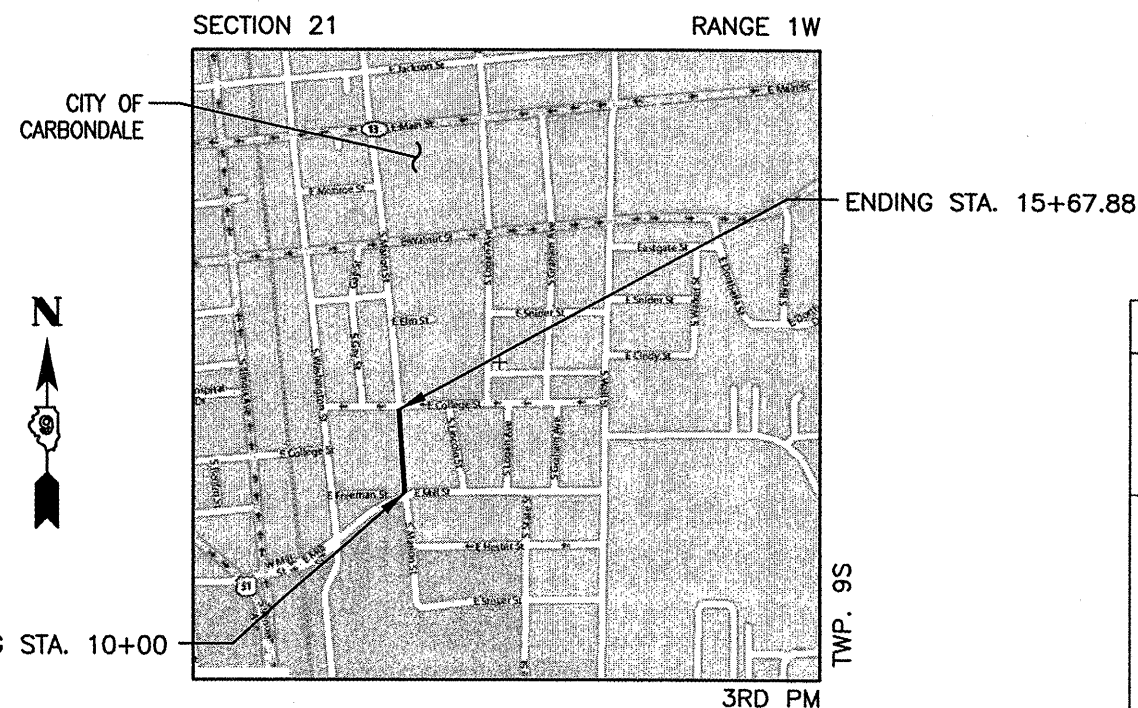
SHEET NO.	DESCRIPTION
1.	COVER SHEET
2.	GENERAL NOTES AND LEGEND
3.	SUMMARY OF QUANTITIES
4.-6.	SCHEDULE OF QUANTITIES
7.	TYPICAL SECTION AND ALIGNMENT TIES
8.-9.	PLAN AND PROFILE
10.-11.	DRAINAGE PLAN AND PROFILE AND TEMPORARY EROSION CONTROL PLAN
12.	INTERSECTION DETAILS
13.	PAVEMENT MARKING AND SIGNING PLAN
14.-16.	SPECIAL DETAILS
17.-24.	CROSS SECTIONS

F.A.U. ROUTE 9723  
MARION STREET EXTENSION  
CITY OF CARBONDALE  
JACKSON COUNTY  
SECTION 09-00123-00-FP  
PROJECT NO. ARA-5008(024)  
JOB NO. C-99-545-09

STANDARDS

- 000001-05 STANDARD SYMBOLS, ABBREVIATION, & PATTERNS
- 280001-04 TEMPORARY EROSION CONTROL SYSTEMS
- 420001-07 PAVEMENT JOINTS
- 424001-05 CURB RAMPS FOR SIDEWALKS
- 602401-02 MANHOLE TYPE A
- 602701-02 MANHOLE STEPS
- 604001-03 FRAME AND LIDS TYPE 1
- 606001-04 CONCRETE CURB TYPE B & COMBINATION CONCRETE CURB & GUTTER
- 701006-03 OFF ROAD OPERATIONS, 2L, 2W, 15' TO 24" FROM PAVEMENT EDGE
- 701301-03 LANE CLOSURE, 2L, 2W SHORT TIME OPERATIONS
- 701801-04 CROSSWALK OR SIDEWALK CLOSURE
- 701901-01 TRAFFIC CONTROL DEVICES
- 720001-01 SIGN PANEL MOUNT DETAILS
- 720006-02 SIGN PANEL ERECTION DETAILS
- 780001-02 TYPICAL PAVEMENT MARKING
- BLR21-8 TYPICAL APPROVED TRAFFIC CONTROL DEVICES- CONSTRUCTION ON RURAL LOCAL HIGHWAYS

PLAN 1"=20'  
PROFILE HORIZ 1"=20'  
PROFILE VERT. 1"= 5'  
CROSS SECTIONS 1"= 5' HORIZ.  
1"= 2' VERT.

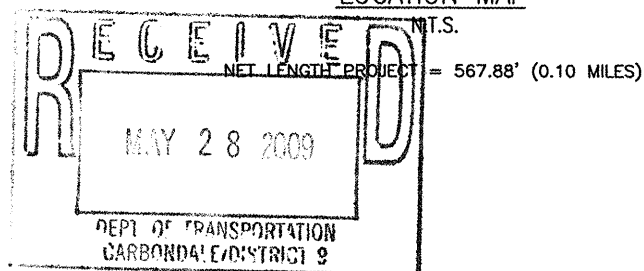


FULL SIZE PLANS HAVE BEEN PREPARED USING STANDARD ENGINEERING SCALES, REDUCED SIZED PLANS WILL NOT CONFORM TO STANDARD SCALES, IN MAKING MEASUREMENTS ON REDUCED PLANS, THE ABOVE SCALES MAY BE USED.

F.A.U. ROUTE 9723 DESIGN DESIGNATION  
ROADWAY CLASSIFICATION = URBAN COLLECTOR  
DESIGN SPEED = 30 M.P.H.  
CURRENT TRAFFIC (ADT) = 0  
DESIGN TRAFFIC (ADT) = 440

J.U.L.I.E.  
JOINT UTILITY LOCATION INFORMATION FOR EXCAVATION  
1-800-892-0123

CONTRACT NO. 99378



AGENCY RESPONSIBLE FOR LETTING	
APPROVED	<i>May 28 2009</i> <i>Alan D. Hill</i> LOCAL AGENCY, POSITION <i>City Manager</i>
PASSED	<i>JUNE 1 20 09</i> <i>Richard W. Molehn</i> DISTRICT 9 ENGINEER OF LOCAL ROADS & STREETS
RELEASING FOR BID BASED ON LIMITED REVIEW	<i>JUNE 2 20 09</i> <i>Mark C. ...</i> DEPUTY DIRECTOR OF HIGHWAYS REGION 5 ENGINEER

*[Signature]* 5/27/09  
JUSTIN J. VENVERTLOH, P.E. NO. 062.060944 DATE  
EXPIRES: 11-30-2009



THOUVENOT, WADE & MOERCHEN, INC.

PRINTED BY THE AUTHORITY OF THE STATE OF ILLINOIS

COVER SHEET  
SOUTH MARION STREET  
CITY OF CARBONDALE  
JACKSON COUNTY, ILLINOIS

REV	DATE	DESCRIPTION

PLAN STATUS: **FINAL**

ISSUED FOR REVIEW     ISSUED FOR BIDDING  
 ISSUED FOR CONSTR.     RECORD DRAWING

DRAWN BY: JUV	SHEET
DESIGNED BY: JUV	1
CHECKED BY: SJK	OF 24 SHEETS
APPROVED BY: JUV	PROJECT DESCRIPTION
PROJECT NUMBER: T06090142	

FHW ROUTE	SECTION	COUNTY
9723	09-00123-00-FP	JACKSON
FEDERAL AID PROJECT		ILLINOIS

CONTRACT NO. 99378

## GENERAL NOTES

ANY REFERENCE TO A STANDARD IN THESE PLANS SHALL BE INTERPRETED TO MEAN THE EDITION, AS INDICATED BY THE SUB-NUMBER LISTED IN THE INDEX OF STANDARDS, OR THE COPY OF THE STANDARD INCLUDED IN THESE PLANS.

ANY FACILITIES OR APPURTENANCES WHICH ARE THE PROPERTY OF ANY PUBLIC UTILITY LOCATED WITHIN THE LIMITS OF CONSTRUCTION SHALL BE RELOCATED OR ADJUSTED BY THEIR RESPECTIVE OWNERS. THE CONTRACTOR SHALL NOTIFY AND COOPERATE WITH THE OWNERS OF ANY SUCH FACILITY IN THEIR REMOVAL AND REARRANGE HIS OPERATIONS IN ORDER THAT THE UTILITY'S OPERATIONS AND THE CONSTRUCTION OF THIS PROJECT MAY PROGRESS IN A REASONABLE MANNER.

THE TYPE, SIZE, AND LOCATION OF UTILITIES AS DELINEATED IN THESE TOPOGRAPHIC LAND SURVEY DOCUMENTS AND/OR CIVIL ENGINEERING DESIGN DOCUMENTS HAVE BEEN DETERMINED BY REVIEW OF AVAILABLE EXISTING "AS-BUILT" OR RECORD DRAWINGS; FIELD SURVEY OF J.U.L.I.E. MARKED UTILITIES; OR FIELD SURVEY OF ABOVE GROUND SURFACE UTILITY FEATURES. THE OWNER AND ENGINEER HAVE NOT UNDERTAKEN SUBSURFACE EXPLORATORY INVESTIGATIONS TO CONFIRM OR VERIFY THE UTILITIES SHOWN ON THESE DOCUMENTS, THEREFORE THEIR EXACT LOCATION, SIZE AND FUNCTION MUST BE CONSIDERED APPROXIMATE AND MUST BE FIELD CONFIRMED BY THE CONTRACTOR. UTILITY COORDINATION OF LOCATION AND POTHOLES OF EXISTING UTILITIES SHALL BE INCLUDED IN THE COST OF MOBILIZATION.

THE ENGINEER AND OWNER FURTHER DO NOT WARRANT THAT ALL UTILITIES HAVE BEEN ILLUSTRATED ON THESE DOCUMENTS. THE CONTRACTOR IS SOLELY RESPONSIBLE FOR CONTACTING J.U.L.I.E. FOR FIELD VERIFICATION OF ALL UTILITIES ON THE SITE PRIOR TO COMMENCEMENT OF CONSTRUCTION. IF THE CONTRACTOR DETERMINES THAT SUBSTANTIAL DISCREPANCY EXISTS BETWEEN FIELD VERIFIED UTILITIES AND THESE PLANS WHICH WOULD SIGNIFICANTLY AFFECT THE FUNCTION, COST, OR PERFORMANCE OF THE PROJECT, THE CONTRACTOR SHALL IMMEDIATELY CONTACT THE ENGINEER FOR CLARIFICATION AND PROJECT DIRECTION.

WHERE SECTION OR SUBSECTION MONUMENTS ARE ENCOUNTERED, THE ENGINEER SHALL BE NOTIFIED BEFORE SUCH MONUMENTS ARE REMOVED. THE CONTRACTOR SHALL PROTECT AND CAREFULLY PRESERVE ALL PROPERTY MARKERS AND MONUMENTS UNTIL THE OWNER AND AN AUTHORIZED SURVEYOR OR AGENT, HAVE WITNESSED OR OTHERWISE REFERENCED THEIR LOCATION.

THE CONTRACTOR SHALL CONFINE HIS OPERATIONS TO THE AREA LOCATED WITHIN THE CONSTRUCTION LIMIT LINES, AS SHOWN ON PLANS. ANY AREA DISTURBED BEYOND THESE LIMITS SHALL BE RESTORED TO ITS ORIGINAL CONDITION AT THE CONTRACTOR'S EXPENSE.

THE CONTRACTOR SHALL PROTECT AND CAREFULLY PRESERVE ALL PROPERTY MARKERS AND MONUMENTS UNTIL THE OWNER AND AN AUTHORIZED SURVEYOR, OR AGENT, HAS WITNESSED OR OTHERWISE REFERENCED THEIR LOCATION.

EVERY TREE SHALL BE SAVED IF POSSIBLE. THE ENGINEER IN THE FIELD WILL VERIFY AND MARK ALL TREES REQUIRED TO BE REMOVED. SHOULD THE ENGINEER'S DECISION INCREASE OR DECREASE THE QUANTITIES OF WORK TO BE PERFORMED FROM THE PLANS, THE CONTRACTOR SHALL ACCEPT PAYMENT AS STATED IN ARTICLE 104.03 OF THE STANDARD SPECIFICATIONS. TREES OUTSIDE THE LIMITS OF CONSTRUCTION SHALL NOT BE DISTURBED UNLESS DESIGNATED BY THE ENGINEER.

ALL CLEARING OF LOGS, SHRUBS, BUSHES, SAPLINGS, GRASS, WEEDS, OTHER VEGETATION AND STUMPS OF LESS THAN 6 INCHES IN DIAMETER WILL NOT BE MEASURED FOR PAYMENT.

THE SAW CUTTING OF EXISTING PAVEMENT NECESSARY FOR ITS REMOVAL SHALL BE CONSIDERED INCIDENTAL TO THE COST OF THE ITEM FOR WHICH THE SAWCUT IS BEING MADE.

IT IS THE CONTRACTOR'S RESPONSIBILITY TO ENSURE THAT ALL EROSION AND DISPLACED SEDIMENT DOES NOT MIGRATE OFF SITE. IF UNEXPECTED EROSION OR SEDIMENTATION OCCURS, OR IF THE EROSION PLAN STRUCTURES BECOME DAMAGED, THE CONTRACTOR SHALL PROVIDE SUFFICIENT MEASURES TO REPAIR, REPLACE, OR INSTALL EROSION CONTROL STRUCTURES TO ENSURE OFF-SITE DAMAGE DOES NOT OCCUR. ANY SEDIMENT OR EROSION DAMAGE WHICH OCCURS OFF-SITE SHALL BE REPAIRED BY THE CONTRACTOR AT HIS EXPENSE.

NO COMMITMENTS

ALL EARTH SURFACES DISTURBED BY CONSTRUCTION OR AS DIRECTED BY THE ENGINEER SHALL BE SEEDED AND MULCHED ACCORDING TO SECTIONS 250 AND 251 OF THE STANDARD SPECIFICATIONS ALL TEMPORARY EROSION CONTROL SEEDING SHALL BE IMPLEMENTED ACCORDING TO SECTION 280 OF THE STANDARD SPECIFICATIONS.

0.2 ACRES	SEEDING CL 2
0.2 ACRES	MULCH METHOD 2
18 POUNDS	NITROGEN FERTILIZER NUTRIENT
18 POUNDS	PHOSPHORUS FERTILIZER NUTRIENT
18 POUNDS	POTASSIUM FERTILIZER NUTRIENT
46 POUNDS	TEMPORARY EROSION CONTROL SEEDING

ALL MATERIALS SUCH AS FRAMES AND GRATES AND STORM SEWER PIPE SCHEDULED FOR REMOVAL, THAT ARE CONSIDERED TO BE SUITABLE FOR FUTURE USE, SHALL BE SALVAGED AND STOCKPILED AS DIRECTED BY THE ENGINEER. ALL OTHER MATERIALS SCHEDULED FOR REMOVAL BUT NOT SALVAGED, SHALL BE DISPOSED OF BY THE CONTRACTOR AT HIS EXPENSE.

ALL STORM SEWER AND CULVERT PIPE TO BE REMOVED WHICH THE ENGINEER DEEMS FIT FOR RE-USE SHALL BE SALVAGED IN ACCORDANCE WITH ARTICLES 501.02 OF THE IDOT STANDARD SPECIFICATIONS FOR ROAD AND BRIDGE CONSTRUCTION. ALL OTHER STORM SEWER AND CULVERT PIPE SHALL BE DISPOSED OF IN ACCORDANCE WITH ARTICLE 202.03.

ALL TRAFFIC CONTROL INCLUDING BUT NOT LIMITED TO, WORK ZONE, TEMPORARY, AND PERMANENT, SHALL BE FURNISHED, INSTALLED, MAINTAINED, RELOCATED, AND/OR REMOVED IN ACCORDANCE WITH SECTION 701 OF THE LATEST EDITION OF THE IDOT STANDARD SPECIFICATIONS FOR ROAD AND BRIDGE CONSTRUCTION AND THE LATEST EDITION OF THE MANUAL ON UNIFORM TRAFFIC CONTROL DEVICES.

ALL EXCAVATION ADJACENT TO THE EDGE OF PAVEMENT SHALL BE PROTECTED WITH EXTENDED LEG BARRICADES WITH APPROPRIATE LIGHTING.

TRAFFIC CONTROL SIGNS SHALL BE 48" FLUORESCENT ORANGE.

THE CONTRACTOR IS RESPONSIBLE FOR CONTACTING THE CITY OF CARBONDALE AT LEAST FORTY-EIGHT (48) HOURS IN ADVANCE PRIOR TO COMMENCEMENT OF ANY CONSTRUCTION ACTIVITIES OR WORK REQUIRING INSPECTION OR APPROVAL BY THE AFFECTED UNITS OF GOVERNMENT.

ANY SUBSURFACE UTILITY WITHIN THE CONSTRUCTION LIMITS IS TO BE VERIFIED FOR ACTIVITY AND ALL ABANDONED UTILITIES ARE TO BE REMOVED. COST IS INCLUDED IN THE COST OF EARTH EXCAVATION.

IT IS NOT WARRANTED THAT THESE PLANS CONTAIN COMPLETE INFORMATION REGARDING EASEMENTS, RESERVATIONS, RESTRICTIONS, RIGHTS-OF-WAY, BUILDING LINE SETBACKS, AND OTHER ENCUMBRANCES. FOR COMPLETE INFORMATION, A TITLE OPINION OR COMMITMENT FOR TITLE INSURANCE SHOULD BE OBTAINED AND THOROUGHLY REVIEWED.

## BENCHMARK & CONTROL

BRASS PLATE ON JB  
N: 385348.12  
E: 2572457.80  
ELEV. 401.94

PIN WITH CAP  
N: 385863.48  
E: 2572410.53  
ELEV. 412.63

PIN WITH CAP  
N: 385590.28  
E: 2571960.26  
ELEV. 415.34

## LEGEND

---	OHE	OVERHEAD ELECTRIC		ELECTRIC UTILITY POLE
---	STM	STORM SEWER		LIGHT STANDARD
---	UT	UNDERGROUND TELEPHONE		TELEPHONE RISER
---	W	WATER		ROAD SIGN
---	G	GAS		STOP SIGN
---	SAN	SANITARY SEWER		WATER METER
---	X	FENCE		WATER VALVE
		GUARDRAIL		WATER HYDRANT
		CONIFEROUS TREE		SANITARY MANHOLE
		DECIDUOUS TREE		GAS METER
		TREE LINE		MAILBOX
		SHRUB		ROOF DRAIN

**THOUVENOT,  
WADE &  
MOERCHEN, INC.**  
ENGINEERS ♦ SURVEYORS ♦ PLANNERS



CORPORATE OFFICE  
4940 OLD COLLINSVILLE RD.  
SWANSEA, ILLINOIS 62226  
TEL (618) 624-4488  
FAX (618) 624-6688  
info@twm-inc.com

CARBONDALE OFFICE  
206 WEST COLLEGE STREET  
CARBONDALE, ILLINOIS 62901  
TEL (618) 549-8844  
FAX (618) 549-8450  
info@twm-inc.com

EDWARDSVILLE OFFICE  
1015B CENTURY DRIVE  
EDWARDSVILLE, ILLINOIS 62025  
TEL (618) 658-4040  
FAX (618) 658-4343  
info@twm-inc.com

ST. CHARLES OFFICE  
400 NORTH 5TH ST., SUITE 101  
ST. CHARLES, MISSOURI 63301  
TEL (636) 724-8300  
FAX (636) 724-8304  
info@twm-inc.com

WATERLOO OFFICE  
113 SOUTH MAIN STREET  
WATERLOO, ILLINOIS 62298  
TEL (618) 939-5050  
FAX (618) 939-3938  
info@twm-inc.com

PROFESSIONAL REGISTRATIONS	LICENSE NO.
ILLINOIS PROFESSIONAL DESIGN FIRM	184-001220
PROFESSIONAL ENGINEERING CORP.	62-035370
PROFESSIONAL STRUCTURAL ENGR. CORP.	81-005202
ILLINOIS PROF. LAND SURVEYING CORP.	048-000029
MISSOURI PROFESSIONAL ENGR. CORP.	NC 001528
MISSOURI LAND SURVEYING CORP.	NC 000348

GENERAL NOTES AND LEGEND

SOUTH MARION STREET  
CITY OF CARBONDALE  
JACKSON COUNTY, ILLINOIS

REV	DATE	DESCRIPTION
△		
△		
△		

PLAN STATUS:	
<b>FINAL</b>	
<input checked="" type="checkbox"/> ISSUED FOR REVIEW	<input type="checkbox"/> ISSUED FOR BIDDING
<input type="checkbox"/> ISSUED FOR CONSTR.	<input type="checkbox"/> RECORD DRAWING
DRAWN BY: JUV	SHEET
DESIGNED BY: JUV	<b>2</b>
CHECKED BY: SJK	OF 24 SHEETS
APPROVED BY: JUV	PROJECT DESCRIPTION
PROJECT NUMBER: T06090142	

# SUMMARY OF QUANTITIES

FHW ROUTE	SECTION	COUNTY
9723	09-00123-00-FP	JACKSON
FEDERAL AID PROJECT		ILLINOIS

CONTRACT NO. 99378

**THOUVENOT, WADE & MOERCHEN, INC.**  
ENGINEERS ♦ SURVEYORS ♦ PLANNERS



**CORPORATE OFFICE**  
4940 OLD COLLINSVILLE RD.  
SWANSEA, ILLINOIS 62226  
TEL (618) 624-4488  
FAX (618) 624-6688  
Info@twm-inc.com

**CARBONDALE OFFICE**  
206 WEST COLLEGE STREET  
CARBONDALE, ILLINOIS 62901  
TEL (618) 549-8844  
FAX (618) 549-8450  
Info@twm-inc.com

**EDWARDSVILLE OFFICE**  
1015B CENTURY DRIVE  
EDWARDSVILLE, ILLINOIS 62025  
TEL (618) 656-4040  
FAX (618) 656-4343  
Info@twm-inc.com

**ST. CHARLES OFFICE**  
400 NORTH 5TH ST., SUITE 101  
ST. CHARLES, MISSOURI 63301  
TEL (636) 724-8300  
FAX (636) 724-8304  
Info@twm-inc.com

**WATERLOO OFFICE**  
113 SOUTH MAIN STREET  
WATERLOO, ILLINOIS 62298  
TEL (618) 939-5050  
FAX (618) 939-3938  
Info@twm-inc.com

PROFESSIONAL REGISTRATIONS	LICENSE NO.
ILLINOIS PROFESSIONAL DESIGN FIRM	194-001220
PROFESSIONAL ENGINEERING CORP.	62-035370
ILLINOIS STRUCTURAL ENGR. CORP.	81-005202
ILLINOIS PROF. LAND SURVEYING CORP.	048-000029
MISSOURI PROFESSIONAL ENGR. CORP.	NC 001528
MISSOURI LAND SURVEYING CORP.	NC 000346

Code Number	Item	Unit	Quantity
20100210	TREE REMOVAL (OVER 15 UNITS DIAMETER)	UNIT	84
20200100	EARTH EXCAVATION	CU YD	1,886
20800150	TRENCH BACKFILL	CU YD	228
25000200	SEEDING, CLASS 2	ACRE	0.2
25000400	NITROGEN FERTILIZER NUTRIENT	POUND	18
25000500	PHOSPHORUS FERTILIZER NUTRIENT	POUND	18
25000600	POTASSIUM FERTILIZER NUTRIENT	POUND	18
25000700	AGRICULTURAL GROUND LIMESTONE	TON	0.4
25100115	MULCH, METHOD 2	ACRE	0.2
28000250	TEMPORARY EROSION CONTROL SEEDING	POUND	46
28000400	PERIMETER EROSION BARRIER	FOOT	325
28000500	INLET AND PIPE PROTECTION	EACH	7
30200650	PROCESSING MODIFIED SOIL 12"	SQ YD	2,122
31001500	LIME	TON	41
31100300	SUB-BASE GRANULAR MATERIAL, TYPE A 4"	SQ YD	2,122
42300400	PORTLAND CEMENT CONCRETE DRIVEWAY PAVEMENT, 8 INCH	SQ YD	94
42400100	PORTLAND CEMENT CONCRETE SIDEWALK 4 INCH	SQ FT	5,340
42400800	DETECTABLE WARNINGS	SQ FT	36.0
44000100	PAVEMENT REMOVAL	SQ YD	94.0
44000500	COMBINATION CURB AND GUTTER REMOVAL	FOOT	203.0
44000600	SIDEWALK REMOVAL	SQ FT	765
550A0050	STORM SEWERS, CLASS A, TYPE 1 12"	FOOT	52
550A0340	STORM SEWERS, CLASS A, TYPE 2 12"	FOOT	277
550A0360	STORM SEWERS, CLASS A, TYPE 2 15"	FOOT	25
550A0410	STORM SEWERS, CLASS A, TYPE 2 24"	FOOT	68
55100500	STORM SEWER REMOVAL 12"	FOOT	72
* 56103200	DUCTILE IRON WATER MAIN 10"	FOOT	526
* 56109000	TAPPING VALVES AND SLEEVES 10"	EACH	2
60218400	MANHOLES, TYPE A, 4'-DIAMETER, TYPE 1 FRAME, CLOSED LID	EACH	3
60243300	INLETS, SPECIAL, TYPE 3, 5'	EACH	6
60500040	REMOVING MANHOLES	EACH	1
60604400	COMBINATION CONCRETE CURB AND GUTTER, TYPE B-6.18	FOOT	80
67100100	MOBILIZATION	L SUM	1
70101700	TRAFFIC CONTROL AND PROTECTION	L SUM	1
72000100	SIGN PANEL - TYPE 1	SQ FT	13
* 78001110	PAINT PAVEMENT MARKING - LINE 4"	FOOT	1,173
* 78001130	PAINT PAVEMENT MARKING - LINE 6"	FOOT	162
* 78001180	PAINT PAVEMENT MARKING - LINE 24"	FOOT	30
Z0013798	CONSTRUCTION LAYOUT	L SUM	1
LR420129	PORTLAND CEMENT CONCRETE PAVEMENT 8" (SPECIAL) WITH INTEGRAL CURB	SQ YD	2,060
* XX003772	CUT AND CAP EXISTING 10" WATER MAIN	EACH	2
* XX005008	DUCTILE IRON WATER MAIN FITTINGS 10" 90 DEGREE BEND	EACH	2
XX005450	STORM SEWER WATER MAIN QUALITY 12"	FOOT	251
XX006213	METAL POST, SPECIAL	EACH	2
X0301797	GATE REMOVAL	EACH	1
XX008106	3'X3' AREA INLET	EACH	1
* XX008107	FIRE HYDRANT WITH AUXILIARY GATE VALVE AND BOX	EACH	1

\* SPECIALTY ITEMS

**SUMMARY OF QUANTITIES**  
  
**SOUTH MARION STREET**  
**CITY OF CARBONDALE**  
**JACKSON COUNTY, ILLINOIS**

REV.	DATE	DESCRIPTION
△		
△		
△		

PLAN STATUS:  
**FINAL**

ISSUED FOR REVIEW     ISSUED FOR BIDDING  
 ISSUED FOR CONSTR.     RECORD DRAWING

DRAWN BY: JJV	SHEET
DESIGNED BY: JJV	<b>3</b>
CHECKED BY: SJK	OF 24 SHEETS
APPROVED BY: JJV	PROJECT DESCRIPTION
PROJECT NUMBER: T06090142	

FHW ROUTE	SECTION	COUNTY
9723	09-00123-00-FP	JACKSON
FEDERAL AID PROJECT		ILLINOIS

CONTRACT NO. 99378

**THOUVENOT, WADE & MOERCHEN, INC.**  
ENGINEERS ♦ SURVEYORS ♦ PLANNERS



- CORPORATE OFFICE**  
4940 OLD COLLINSVILLE RD.  
SWANSEA, ILLINOIS 62226  
TEL (618) 624-4488  
FAX (618) 624-6688  
info@twm-inc.com
- CARBONDALE OFFICE**  
206 WEST COLLEGE STREET  
CARBONDALE, ILLINOIS 62901  
TEL (618) 549-8844  
FAX (618) 549-8450  
info@twm-inc.com
- EDWARDSVILLE OFFICE**  
1015B CENTURY DRIVE  
EDWARDSVILLE, ILLINOIS 62025  
TEL (618) 656-4040  
FAX (618) 656-4343  
info@twm-inc.com
- ST. CHARLES OFFICE**  
400 NORTH 5TH ST., SUITE 101  
ST. CHARLES, MISSOURI 63301  
TEL (636) 724-8300  
FAX (636) 724-8304  
info@twm-inc.com
- WATERLOO OFFICE**  
113 SOUTH MAIN STREET  
WATERLOO, ILLINOIS 62298  
TEL (618) 939-5050  
FAX (618) 939-3938  
info@twm-inc.com

PROFESSIONAL REGISTRATIONS	LICENSE NO.
ILLINOIS PROFESSIONAL DESIGN FIRM	184-001220
PROFESSIONAL ENGINEERING CORP.	62-035370
PROFESSIONAL STRUCTURAL ENGR. CORP.	81-005202
ILLINOIS PROF. LAND SURVEYING CORP.	048-000029
MISSOURI PROFESSIONAL ENGR. CORP.	NC 001528
MISSOURI LAND SURVEYING CORP.	NC 000546

DRAINAGE STRUCTURES				
LOCATION (STATION, OFFSET)	MANHOLES, TYPE A, 4' DIAMETER TYPE 1 FRAME, CLOSED LID (EACH) 60218400	INLET SPECIAL, TYPE 3, 5' (EACH) 60243300	INLETS, 3'X3' AREA INLET (EACH)	
<b>SOUTH MARION STREET</b>				
10+36.85	41.45 R	1	-	-
10+38.65	27.27 R	1	-	-
10+39.79	17.89 L	-	1	-
10+42.47	33.55 L	-	-	1
10+59.43	17.75 R	-	1	-
10+63.01	26.18 L	1	-	-
12+50.00	17.75 R	-	1	-
12+50.00	17.75 L	-	1	-
15+27.01	17.75 R	-	1	-
15+36.90	18.20 L	-	1	-
<b>TOTAL</b>		<b>3</b>	<b>6</b>	<b>1</b>

TREE REMOVAL		
LOCATION (STATION TO STATION)	TREE REMOVAL OVER 15" (UNIT) 20100210	
<b>SOUTH MARION STREET</b>		
10+27.00	12' LT	16
12+18.00	5' RT	34
12+58.00	15' LT	34
<b>TOTAL</b>		<b>84</b>

REMOVAL									
LOCATION (STATION TO STATION)		PAVEMENT REMOVAL (SQ YD) 44000100	COMB. C&G REMOVAL (FOOT) 44000500	SIDEWALK REMOVAL (SQ FT) 44000600	STORM SEWER REMOVAL 12" (FOOT) 55100500	TRENCH BACKFILL (CU YD) 20800150			
<b>SOUTH MARION STREET</b>									
10+14.89	35.69' LT TO	10+21.03	38.70' RT	-	74.93	-	-	-	-
10+29.27	28.88' LT TO	10+29.27	36.11' RT	-	-	284.18	-	-	-
10+38.00	42' LT TO	10+59.35	18.58' LT	-	-	-	72	-	46
10+80.00	RT TO	11+67.00	RT	46.79	-	-	-	-	-
11+23.35	23.57' LT TO	11+23.35	25.37' RT	-	-	304.5	-	-	-
15+36.58	16.47' RT TO	15+54.24	24.25' RT	-	24.87	-	-	-	-
15+38.61	15.54' LT TO	15+56.47	20.43' LT	-	23.54	-	-	-	-
15+37.00	CL TO	15+55.00	CL	47.17	-	-	-	-	-
15+46.58	14.25' RT TO	15+46.58	37.87' RT	-	-	91.76	-	-	-
15+49.93	33.26' LT TO	15+49.93	11.56' LT	-	-	84.76	-	-	-
15+57.25	38.41' LT TO	15+52.97	40.63' RT	-	79.82	-	-	-	-
<b>TOTAL</b>		<b>94</b>	<b>203</b>	<b>765</b>	<b>72</b>	<b>46</b>			

INLET AND PIPE PROTECTION		
LOCATION (STATION, OFFSET)	INLET & PIPE PROTECTION (EACH) 28000500	
<b>SOUTH MARION STREET</b>		
10+39.79	LT	1
10+42.47	LT	1
10+59.43	RT	1
12+50.00	RT	1
12+50.00	LT	1
15+27.01	RT	1
15+36.90	LT	1
<b>TOTAL</b>		<b>7</b>

PERIMETER EROSION BARRIER					
LOCATION (STATION TO STATION)				PERIMETER EROS. BAR (FOOT) 28000400	
<b>SOUTH MARION STREET</b>					
10+50.00	LT	TO	11+30.00	LT	80
10+50.00	RT	TO	11+83.00	RT	133
14+25.00	RT	TO	15+37.00	RT	112
<b>TOTAL</b>				<b>325</b>	

STORM SEWERS									
LOCATION (STATION TO STATION)		TRENCH BACKFILL (CU YD) 20800150	STORM SEWERS, CLASS A, TYPE 1-12" (FOOT) 550A0050	STORM SEWERS, CLASS A, TYPE 2-12" (FOOT) 550A0340	STORM SEWERS, CLASS A, TYPE 2-15" (FOOT) 550A0360	STORM SEWERS, CLASS A, TYPE 2-24" (FOOT) 550A0410	STORM SEWERS, WATER MAIN QUALITY 12" (FOOT) XX005450		
<b>SOUTH MARION STREET</b>									
10+26.98	39.75 R	TO	10+36.85	41.45 R	-	-	-	8	-
10+36.85	41.45 R	TO	10+38.65	27.27 R	-	-	-	14.5	-
10+38.65	27.27 R	TO	10+39.79	17.89 L	42.5	-	-	45	-
10+38.65	27.27 R	TO	10+59.43	17.75 R	3.3	-	-	-	26
10+39.79	17.89 L	TO	10+42.47	33.55 L	3.2	16	-	-	-
10+59.43	17.75 R	TO	12+50.00	17.75 R	26.9	-	-	-	187
10+63.01	26.18 L	TO	10+39.79	17.89 L	8.1	-	24.5	-	-
12+50.00	17.75 L	TO	12+50.00	17.75 R	5	35.5	-	-	-
12+50.00	17.75 R	TO	15+27.00	17.75 R	43.3	-	277	-	-
15+27.00	17.75 R	TO	15+36.90	18.20 L	5.5	-	-	-	37.5
<b>TOTAL</b>		<b>138</b>	<b>52</b>	<b>277</b>	<b>25</b>	<b>68</b>	<b>251</b>		

**SCHEDULE OF QUANTITIES**  
  
**SOUTH MARION STREET**  
**CITY OF CARBONDALE**  
**JACKSON COUNTY, ILLINOIS**

REV	DATE	DESCRIPTION
△		
△		
△		

PLAN STATUS:

FINAL

ISSUED FOR REVIEW     ISSUED FOR BIDDING  
 ISSUED FOR CONSTR.     RECORD DRAWING

DRAWN BY: JVV    SHEET  
 DESIGNED BY: JVV    **4**  
 CHECKED BY: SJK    OF 24 SHEETS  
 APPROVED BY: JVV    PROJECT DESCRIPTION  
 PROJECT NUMBER: T06090142

FAW ROUTE	SECTION	COUNTY
9723	09-00123-00-FP	JACKSON
FEDERAL AID PROJECT		ILLINOIS

CONTRACT NO. 99378

**THOUVENOT, WADE & MOERCHEN, INC.**  
ENGINEERS ♦ SURVEYORS ♦ PLANNERS



**CORPORATE OFFICE**

4940 OLD COLLINSVILLE RD.  
SWANSEA, ILLINOIS 62226  
TEL (618) 624-4488  
FAX (618) 624-6688  
Info@twm-inc.com

**CARBONDALE OFFICE**

206 WEST COLLEGE STREET  
CARBONDALE, ILLINOIS 62901  
TEL (618) 549-8844  
FAX (618) 549-8450  
Info@twm-inc.com

**EDWARDSVILLE OFFICE**

1015B CENTURY DRIVE  
EDWARDSVILLE, ILLINOIS 62025  
TEL (618) 656-4040  
FAX (618) 656-4343  
Info@twm-inc.com

**ST. CHARLES OFFICE**

400 NORTH 5TH ST., SUITE 101  
ST. CHARLES, MISSOURI 63301  
TEL (636) 724-8300  
FAX (636) 724-8304  
Info@twm-inc.com

**WATERLOO OFFICE**

113 SOUTH MAIN STREET  
WATERLOO, ILLINOIS 62298  
TEL (618) 939-5050  
FAX (618) 939-3938  
Info@twm-inc.com

PROFESSIONAL REGISTRATIONS	LICENSE NO.
ILLINOIS PROFESSIONAL DESIGN FIRM	184-001220
PROFESSIONAL ENGINEERING CORP.	62-005370
PROFESSIONAL STRUCTURAL ENGR. CORP.	81-000202
ILLINOIS PROF. LAND SURVEYING CORP.	048-000029
MISSOURI PROFESSIONAL ENGR. CORP.	NC 001528
MISSOURI LAND SURVEYING CORP.	NC 000346

**SCHEDULE OF QUANTITIES**

**SOUTH MARION STREET  
CITY OF CARBONDALE  
JACKSON COUNTY, ILLINOIS**

REV.	DATE	DESCRIPTION
△		
△		
△		

PLAN STATUS:  
**FINAL**

<input checked="" type="checkbox"/> ISSUED FOR REVIEW	<input type="checkbox"/> ISSUED FOR BIDDING
<input type="checkbox"/> ISSUED FOR CONSTR.	<input type="checkbox"/> RECORD DRAWING
DRAWN BY: JVV	SHEET: <b>5</b>
DESIGNED BY: JVV	OF 24 SHEETS
CHECKED BY: SJK	PROJECT DESCRIPTION:
APPROVED BY: JVV	
PROJECT NUMBER: T06090142	

SIDEWALK					
LOCATION (STATION TO STATION)				PCC SIDEWALK, 4" (SQ FT)	DETECTABLE WARNINGS (SQ FT)
<b>SOUTH MARION STREET</b>					
SE RAMP				160	6
10+50.00	RT	TO	15+31.03 RT	2405.15	-
NE RAMP				168	6
SW RAMP				194	6
10+50.00	LT	TO	14+28.56 LT	1893	-
14+95.84	LT	TO	15+35.71 LT	199.35	-
EXT TIE IN LT				73	-
S RAMP @ ENTRANCE				63	6
N RAMP @ ENTRANCE				63	6
NW RAMP				121	6
<b>TOTAL</b>				<b>5340</b>	<b>36</b>

EARTHWORK SCHEDULE					
FROM LOCATION (STATION)	TO LOCATION (STATION)	EARTH EXCAVATION (CU YD)	EARTH EXCAVATION ADJUSTED FOR SHRINKAGE (CU YD)	EMBANKMENT (CU YD)	EARTHWORK BALANCE WASTE(+), SHORTAGE (-) (CU YD)
20200100					
<b>SOUTH MARION STREET</b>					
10+25.00 CL	15+50.00 CL	1,886	1,415	46	1,369
SUB-TOTAL		1,886	1,415	46	1,369
<b>TOTAL</b>		<b>1,886</b>	<b>1,415</b>	<b>46</b>	<b>1,369</b>

WATER MAIN									
LOCATION (STATION TO STATION)				TRENCH BACKFILL (CU YD) 20800150	WATER MAIN, DUCTILE IRON 10" (FOOT) 56103200	TAPPING VALVES AND SLEEVES 10" (EACH) 56109000	DUCTILE IRON WATER MAIN FITTINGS, 10" 90° BEND (EACH) XX005008	FIRE HYDRANT W/ AUX GATE VALVE & BOX (EACH)	CUT AND CAP EXISTING 10" WATER MAIN (EACH) XX003772
<b>SOUTH MARION STREET</b>									
10+75.00	10.14 RT							1	
10+75.72	10.14 R	10+75.78	29.69 LT	18	40	-		1	
10+75.78	29.69 L						1		
10+75.78	29.69 L	15+44.77	30.09 L	19	469	-			
13+00.00	34.00 L						1		
15+43.00	12.95 L							1	
15+44.77	30.09 L	15+43.87	12.95 L	7	17	-			
15+44.77	30.00 L						1		
15+47.36	24.15 L								
<b>TOTAL</b>				<b>44</b>	<b>526</b>	<b>2</b>	<b>2</b>	<b>1</b>	<b>2</b>

P:\090142\1. DWG\12-TIR\SHEETS\001\02QUANTITIES AND SCHEDULES-01.dwg Plotted By: michaelpjohn

FW ROUTE	SECTION	COUNTY
9723	09-00123-00-FP	JACKSON
FEDERAL AID PROJECT		ILLINOIS

CONTRACT NO. 99378

**THOUVENOT, WADE & MOERCHEN, INC.**  
ENGINEERS ♦ SURVEYORS ♦ PLANNERS



**CORPORATE OFFICE**  
4940 OLD COLLINSVILLE RD.  
SWANSEA, ILLINOIS 62226  
TEL (618) 624-4488  
FAX (618) 624-6688  
info@twm-inc.com

**CARBONDALE OFFICE**  
206 WEST COLLEGE STREET  
CARBONDALE, ILLINOIS 62901  
TEL (618) 549-8844  
FAX (618) 549-8450  
info@twm-inc.com

**EDWARDSVILLE OFFICE**  
1015B CENTURY DRIVE  
EDWARDSVILLE, ILLINOIS 62025  
TEL (618) 656-4040  
FAX (618) 656-4343  
info@twm-inc.com

**ST. CHARLES OFFICE**  
400 NORTH 5TH ST., SUITE 101  
ST. CHARLES, MISSOURI 63301  
TEL (636) 724-8300  
FAX (636) 724-8304  
info@twm-inc.com

**WATERLOO OFFICE**  
113 SOUTH MAIN STREET  
WATERLOO, ILLINOIS 62298  
TEL (618) 939-5050  
FAX (618) 939-3938  
info@twm-inc.com

PROFESSIONAL REGISTRATIONS	LICENSE NO.
ILLINOIS PROFESSIONAL DESIGN FIRM	184-001220
PROFESSIONAL ENGINEERING CORP.	62-035370
PROFESSIONAL STRUCTURAL ENGR. CORP.	81-000202
ILLINOIS PROF. LAND SURVEYING CORP.	048-000029
MISSOURI PROFESSIONAL ENGR. CORP.	NC 001528
MISSOURI LAND SURVEYING CORP.	NC 000346

PAVEMENT MARKING							
LOCATION (STATION TO STATION)				PAINT PVMT MK, 4" (FOOT) 78001110	PAINT PVMT MK, 6" (FOOT) 78001130	PAINT PVMT MK, 24" (FOOT) 78001180	
<b>SOUTH MARION STREET</b>							
10+28.00	X-WALK			-	43	-	
10+32.85	RT	TO	15+44.12	RT	447	-	
10+34.00	X-WALK			-	36	-	
10+38.00	CL	TO	15+30.00	CL	170	-	
10+38.00	STOP BAR			-	-	15	
10+38.23	LT	TO	10+88.23	LT	50	-	
10+88.23	LT	TO	15+44.12	LT	456	-	
14+79.69	RT	TO	15+29.69	RT	50	-	
15+30.00	STOP BAR			-	-	15	
15+43.00	X-WALK			-	35	-	
15+49.00	X-WALK			-	48	-	
<b>TOTAL</b>					<b>1173</b>	<b>162</b>	<b>30</b>

PAVING										
LOCATION (STATION TO STATION)				PROCESSING MODIFIED SOIL, 12" (SQ YD) 30200650	LIME (TON) 31001500	SUB-BASE GRANULAR MAT'L TY A 4" (SQ YD) 31100300	COMB. CC&G TY B-6.18 (FOOT) 60604400	PCC PVMT 8" (SPECIAL) W/ INTEGRAL CURB LR420129	PCC DRIVEWAY PVMT, 8" (SQ YD) 42300400	
<b>SOUTH MARION STREET</b>										
10+18.25	CL	TO	15+56.95	CL	2122	41	2122	-	-	
10+18.25	CL	TO	10+59.84	CL	-	-	-	192.37	-	
10+59.84	CL	TO	15+30.01	CL	-	-	-	1732.32	-	
14+62.00	LT		NORTH RADIUS	-	-	-	39.9	-	-	
14+62.00	LT		SOUTH RADIUS	-	-	-	39.9	-	-	
14+62.00	LT		C.E.	-	-	-	-	-	94	
15+30.01	CL	TO	15+56.95	CL	-	-	-	135.57	-	
<b>TOTAL</b>					<b>2122</b>	<b>41</b>	<b>2122</b>	<b>80</b>	<b>2060</b>	<b>94</b>

TITLE:	PROJECT:
SCHEDULE OF QUANTITIES	SOUTH MARION STREET CITY OF CARBONDALE JACKSON COUNTY, ILLINOIS

REV.	DATE	DESCRIPTION
△		
△		
△		

PLAN STATUS:  
**FINAL**

<input checked="" type="checkbox"/> ISSUED FOR REVIEW	<input type="checkbox"/> ISSUED FOR BIDDING
<input type="checkbox"/> ISSUED FOR CONSTR.	<input type="checkbox"/> RECORD DRAWING
DRAWN BY: JVV	SHEET
DESIGNED BY: JVV	<b>6</b>
CHECKED BY: SJK	OF 24 SHEETS
APPROVED BY: JVV	PROJECT DESCRIPTION
PROJECT NUMBER: T06090142	

P:\090142\090142-TR\SHEETS\090142QUANTITIES AND SCHEDULES-01.dwg Plotted By: mechar/john

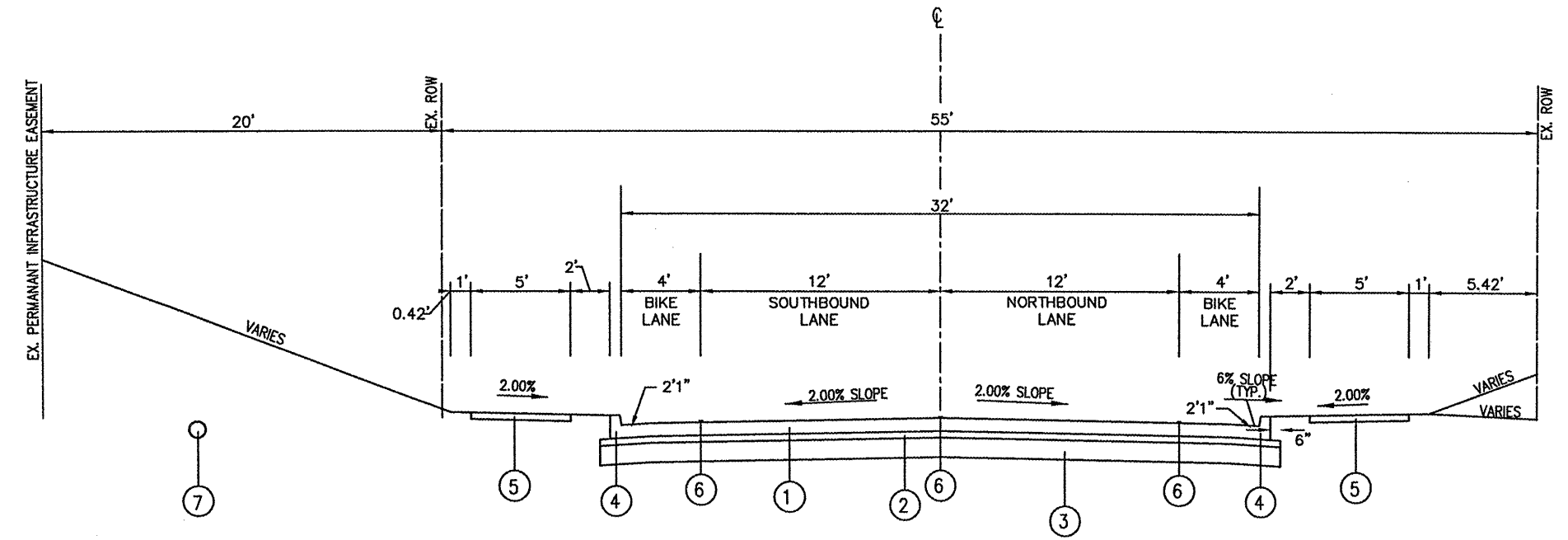
FAU ROUTE	SECTION	COUNTY
9723	09-00123-00-FP	JACKSON
FEDERAL AID PROJECT		ILLINOIS

**THOUVENOT, WADE & MOERCHEN, INC.**  
ENGINEERS • SURVEYORS • PLANNERS



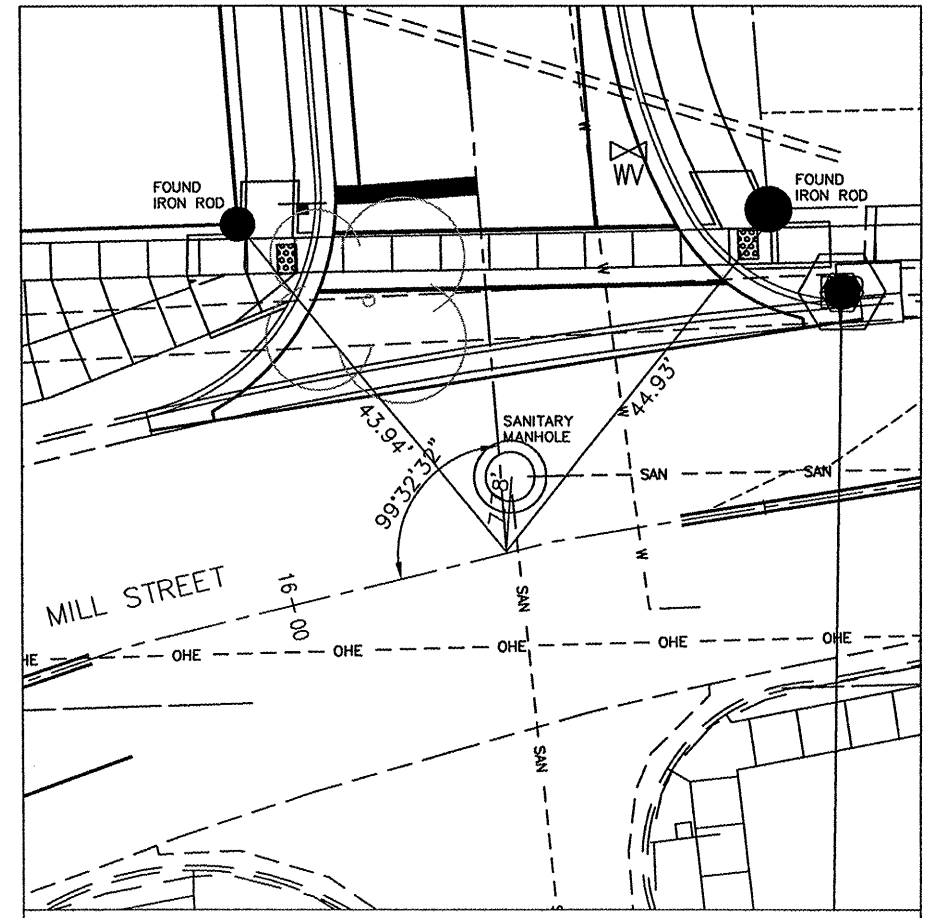
- CORPORATE OFFICE**  
4940 OLD COLLINSVILLE RD.  
SWANSEA, ILLINOIS 62226  
TEL (618) 624-4488  
FAX (618) 624-6688  
info@twm-inc.com
- CARBONDALE OFFICE**  
206 WEST COLLEGE STREET  
CARBONDALE, ILLINOIS 62901  
TEL (618) 549-8844  
FAX (618) 549-8450  
info@twm-inc.com
- EDWARDSVILLE OFFICE**  
1015B CENTURY DRIVE  
EDWARDSVILLE, ILLINOIS 62025  
TEL (618) 656-4040  
FAX (618) 656-4343  
info@twm-inc.com
- ST. CHARLES OFFICE**  
400 NORTH 5TH ST., SUITE 101  
ST. CHARLES, MISSOURI 63301  
TEL (636) 724-8300  
FAX (636) 724-8304  
info@twm-inc.com
- WATERLOO OFFICE**  
113 SOUTH MAIN STREET  
WATERLOO, ILLINOIS 62298  
TEL (618) 939-5050  
FAX (618) 939-3938  
info@twm-inc.com

ILLINOIS PROFESSIONAL DESIGN FIRM	184-001220
PROFESSIONAL ENGINEERING CORP.	62-035370
PROFESSIONAL STRUCTURAL ENGR. CORP.	81-005202
ILLINOIS PROF. LAND SURVEYING CORP.	048-000029
MISSOURI PROFESSIONAL ENGR. CORP.	HC 001528
MISSOURI LAND SURVEYING CORP.	HC 000346

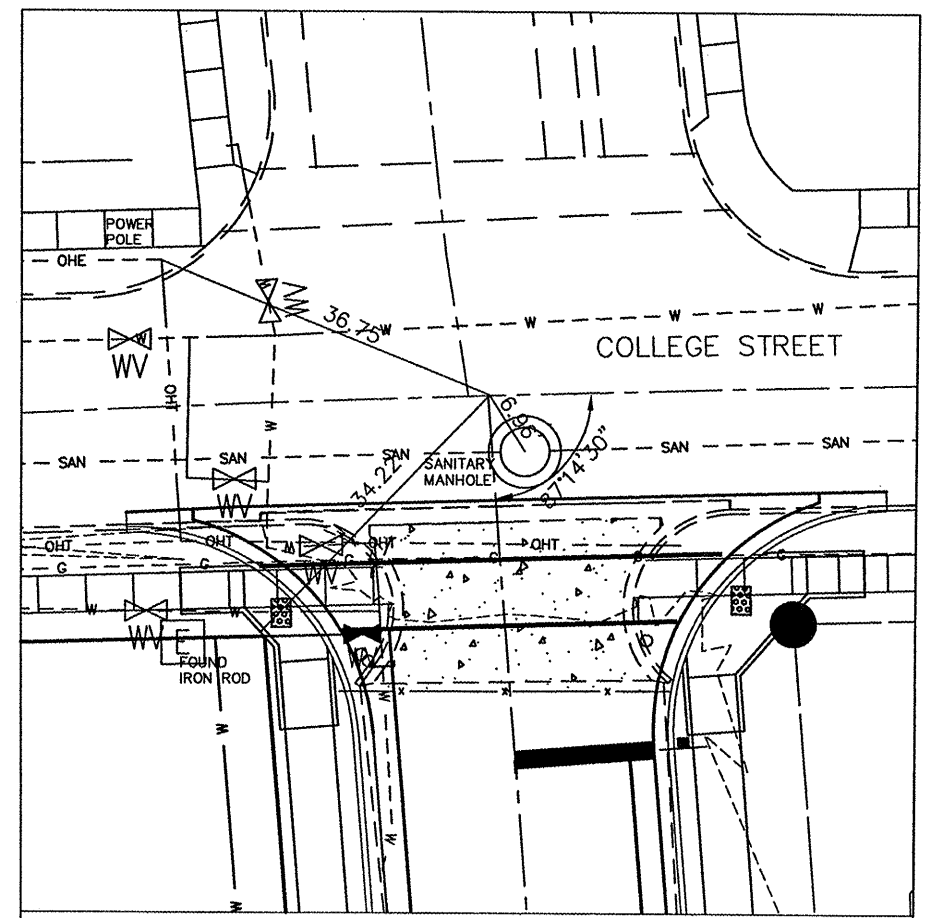


- ① PCC CONCRETE PAVEMENT 8" (SPECIAL) WITH INTEGRAL CURB
- ② SUB-BASE GRANULAR MATERIAL, TYPE A 4"
- ③ LIME MODIFIED SOIL, 12"
- ④ B-6.18 CURB AND GUTTER (TO BE POURED MONOLITHICALLY)
- ⑤ PCC SIDEWALK, 4"
- ⑥ PAVEMENT MARKING
- ⑦ 10" DUCTILE IRON WATER MAIN

**SOUTH MARION STREET  
PROPOSED TYPICAL SECTION  
STA. 10+00 - STA. 15+67.88**



CL / CL STA. 10+00  
N: 385321.04 E: 2572422.98



CL / CL STA. 15+67.88  
N: 385887.18 E: 2572378.61

TITLE: TYPICAL SECTION AND ALIGNMENT TIES  
PROJECT: SOUTH MARION STREET CITY OF CARBONDALE JACKSON COUNTY, ILLINOIS

REV.	DATE	DESCRIPTION

PLAN STATUS:	
<b>FINAL</b>	
<input checked="" type="checkbox"/> ISSUED FOR REVIEW	<input type="checkbox"/> ISSUED FOR BIDDING
<input type="checkbox"/> ISSUED FOR CONSTR.	<input type="checkbox"/> RECORD DRAWING
DRAWN BY: JVV	SHEET 7
DESIGNED BY: JVV	OF 24 SHEETS
CHECKED BY: SJK	PROJECT DESCRIPTION
APPROVED BY: JVV	
PROJECT NUMBER: T06090142	

PVI ROUTE	SECTION	COUNTY
9723	09-00123-00-FP	JACKSON
FEDERAL AID PROJECT		ILLINOIS

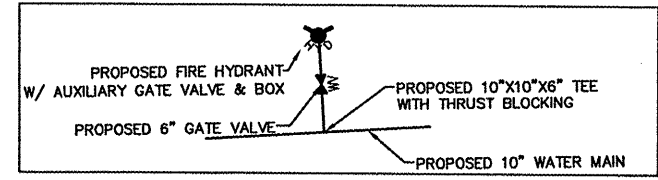
CONTRACT NO. 99376

**THOUVENOT, WADE & MOERCHEN, INC.**  
ENGINEERS • SURVEYORS • PLANNERS

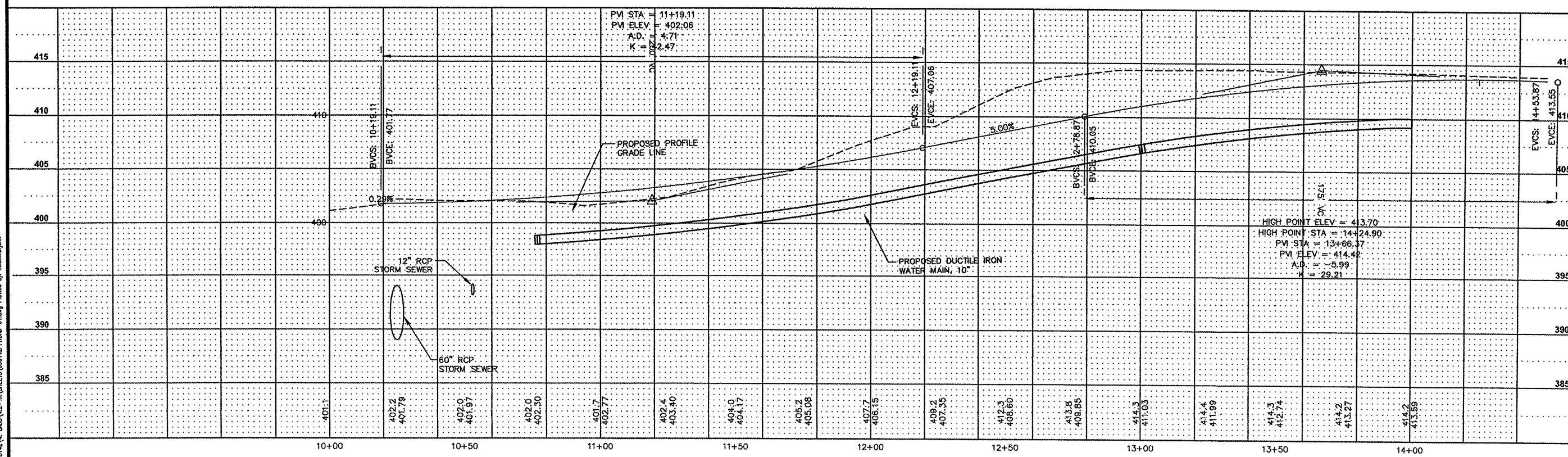
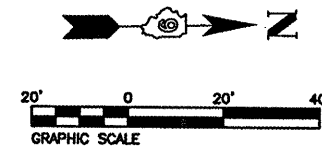
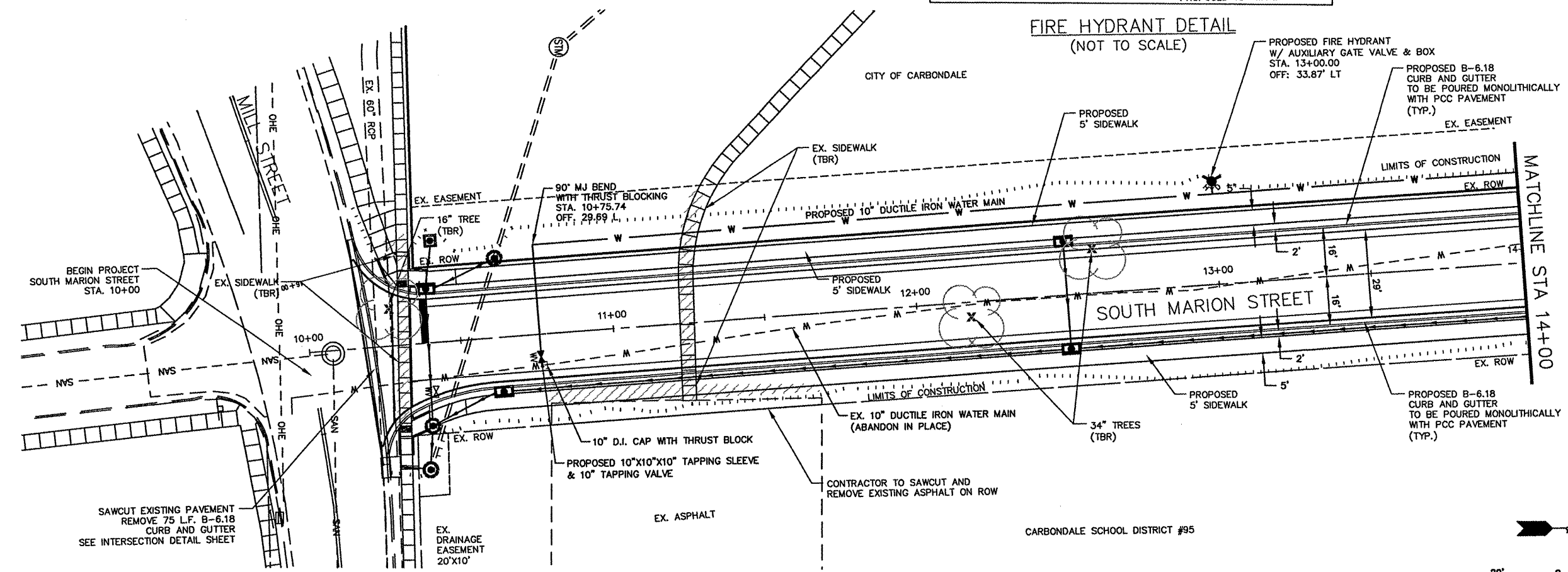


- CORPORATE OFFICE**  
4840 OLD COLLINSVILLE RD.  
SWANSEA, ILLINOIS 62226  
TEL (618) 624-4468  
FAX (618) 624-6688  
info@twm-inc.com
- CARBONDALE OFFICE**  
206 WEST COLLEGE STREET  
CARBONDALE, ILLINOIS 62901  
TEL (618) 549-8844  
FAX (618) 549-8450  
info@twm-inc.com
- EDWARDSVILLE OFFICE**  
10158 CENTURY DRIVE  
EDWARDSVILLE, ILLINOIS 62025  
TEL (618) 656-4040  
FAX (618) 656-4343  
info@twm-inc.com
- ST. CHARLES OFFICE**  
400 NORTH 5TH ST., SUITE 101  
ST. CHARLES, MISSOURI 63301  
TEL (636) 724-8300  
FAX (636) 724-8304  
info@twm-inc.com
- WATERLOO OFFICE**  
113 SOUTH MAIN STREET  
WATERLOO, ILLINOIS 62298  
TEL (618) 939-5050  
FAX (618) 939-3938  
info@twm-inc.com

PROFESSIONAL REGISTRATIONS	LICENSE NO.
ILLINOIS PROFESSIONAL DESIGN FIRM	184-001220
PROFESSIONAL ENGINEERING CORP.	62-035370
PROFESSIONAL STRUCTURAL ENGR. CORP.	61-005202
ILLINOIS PROF. LAND SURVEYING CORP.	048-000029
MISSOURI PROFESSIONAL ENGR. CORP.	NC 001528
MISSOURI LAND SURVEYING CORP.	NC 000346



**FIRE HYDRANT DETAIL**  
(NOT TO SCALE)



**PLAN AND PROFILE**  
STA. 10+00 TO STA. 14+00  
SOUTH MARION STREET  
CITY OF CARBONDALE  
JACKSON COUNTY, ILLINOIS

REV	DATE	DESCRIPTION

PLAN STATUS: **FINAL**

ISSUED FOR REVIEW     ISSUED FOR BIDDING  
 ISSUED FOR CONSTR.     RECORD DRAWING

DRAWN BY: JUV    SHEET  
DESIGNED BY: JUV    **8**  
CHECKED BY: SJK    OF 24 SHEETS  
APPROVED BY: JUV    PROJECT DESCRIPTION  
PROJECT NUMBER: T06090142

P:\090142\A\_CADD\A2-TW\BSETS\090142PPROAD-01.dwg    Plotted By: mackajohn



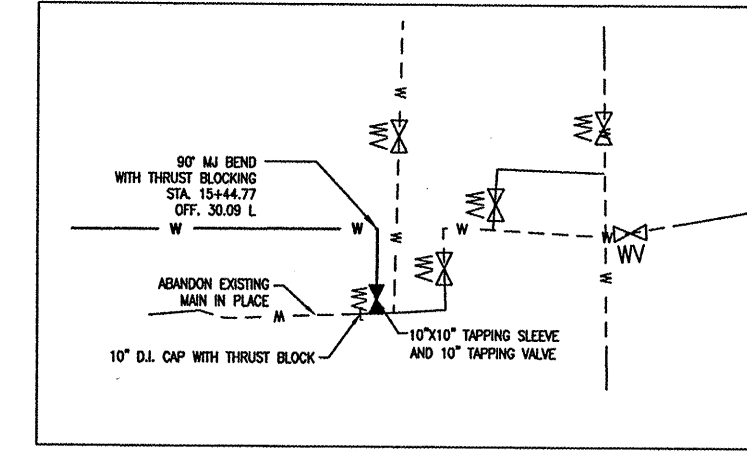
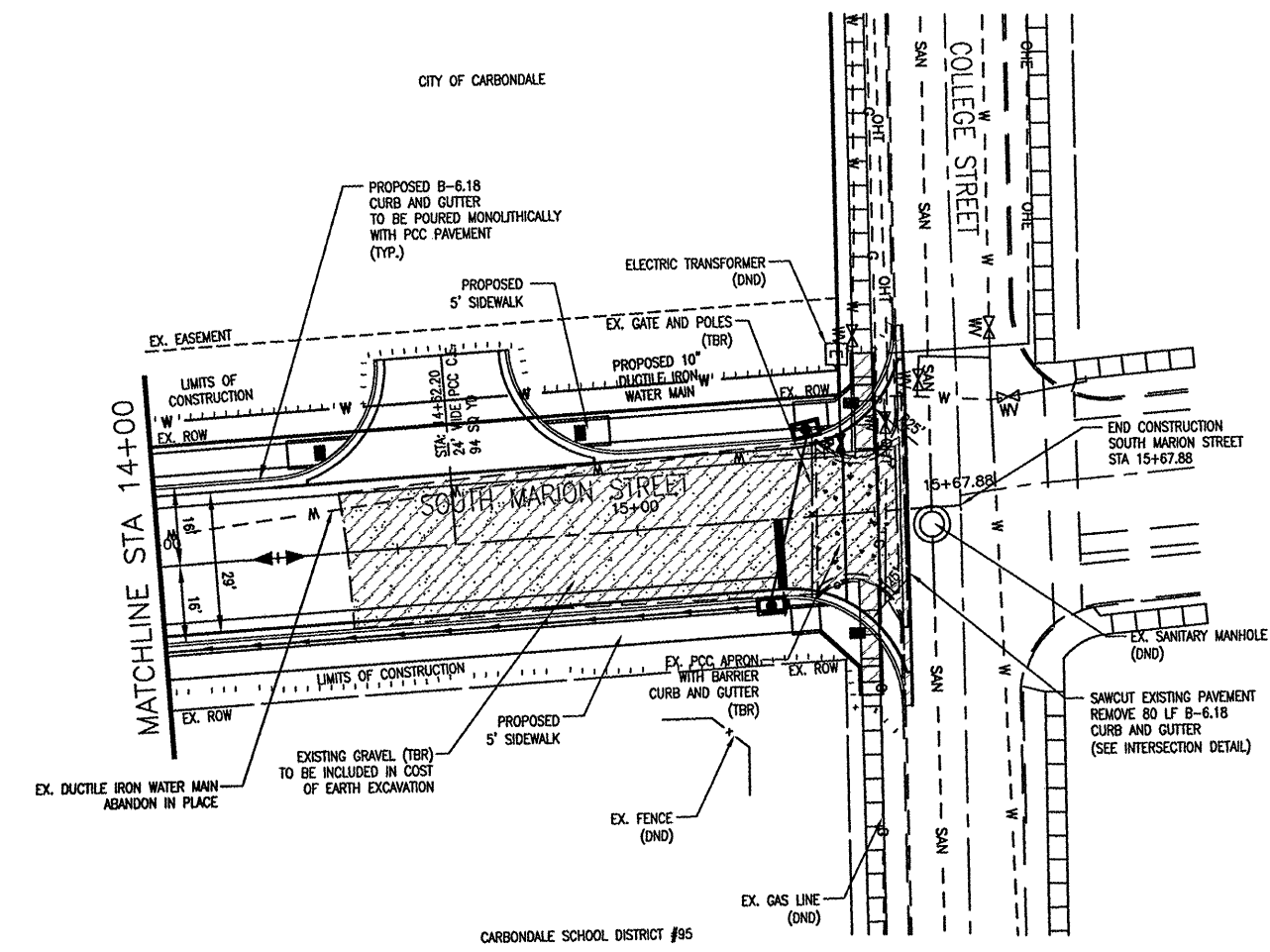
FHW ROUTE	SECTION	COUNTY
9723	09-00123-00-FP	JACKSON
FEDERAL AID PROJECT		ILLINOIS

CONTRACT NO. 99378

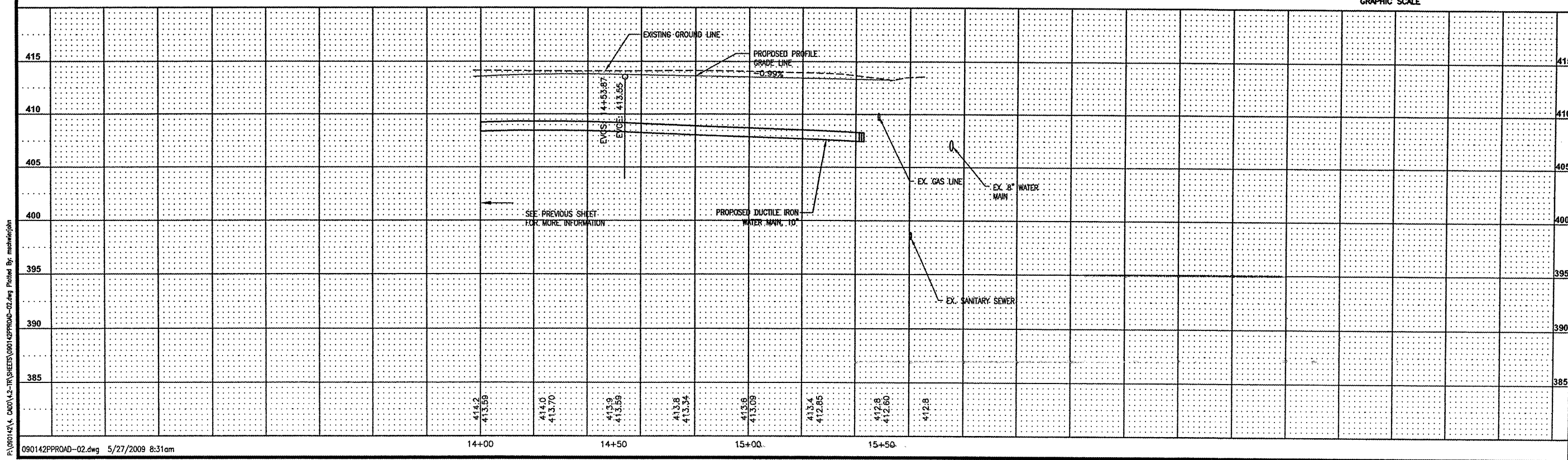
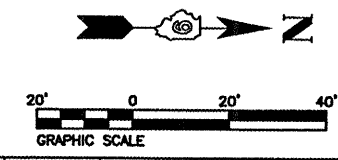
**THOUVENOT, WADE & MOERCHEN, INC.**  
ENGINEERS • SURVEYORS • PLANNERS



- CORPORATE OFFICE  
4840 OLD COLLINSVILLE RD.  
SWANSEA, ILLINOIS 62226  
TEL (618) 624-4488  
FAX (618) 624-6688  
info@twm-inc.com
- CARBONDALE OFFICE  
208 WEST COLLEGE STREET  
CARBONDALE, ILLINOIS 62901  
TEL (618) 549-8844  
FAX (618) 549-8450  
info@twm-inc.com
- EDWARDSVILLE OFFICE  
1015B CENTURY DRIVE  
EDWARDSVILLE, ILLINOIS 62025  
TEL (618) 656-4040  
FAX (618) 656-4343  
info@twm-inc.com
- ST. CHARLES OFFICE  
400 NORTH 5TH ST., SUITE 101  
ST. CHARLES, MISSOURI 63301  
TEL (636) 724-8300  
FAX (636) 724-8304  
info@twm-inc.com
- WATERLOO OFFICE  
113 SOUTH MAIN STREET  
WATERLOO, ILLINOIS 62298  
TEL (618) 939-5050  
FAX (618) 939-3938  
info@twm-inc.com



WATER MAIN DETAIL  
(NOT TO SCALE)



**PLAN AND PROFILE**  
STA. 14+00 TO STA. 15+67.88

**SOUTH MARION STREET**  
CITY OF CARBONDALE  
JACKSON COUNTY, ILLINOIS

REV	DATE	DESCRIPTION

PLAN STATUS:  
**FINAL**

ISSUED FOR REVIEW     ISSUED FOR BIDDING  
 ISSUED FOR CONSTR.     RECORD DRAWING

DRAWN BY: JUV    SHEET  
DESIGNED BY: JUV    **9**  
CHECKED BY: SJK    OF 24 SHEETS  
APPROVED BY: SJK    PROJECT DESCRIPTION  
PROJECT NUMBER: T06090142

P:\090142\A\_CADD\A2-TR\SHEETS\090142PPROAD-02.dwg Plotted By: mshahid@joh

FAU ROUTE	SECTION	COUNTY
9723	09-00123-00-FP	JACKSON
FEDERAL AID PROJECT		ILLINOIS

CONTRACT NO. 99378

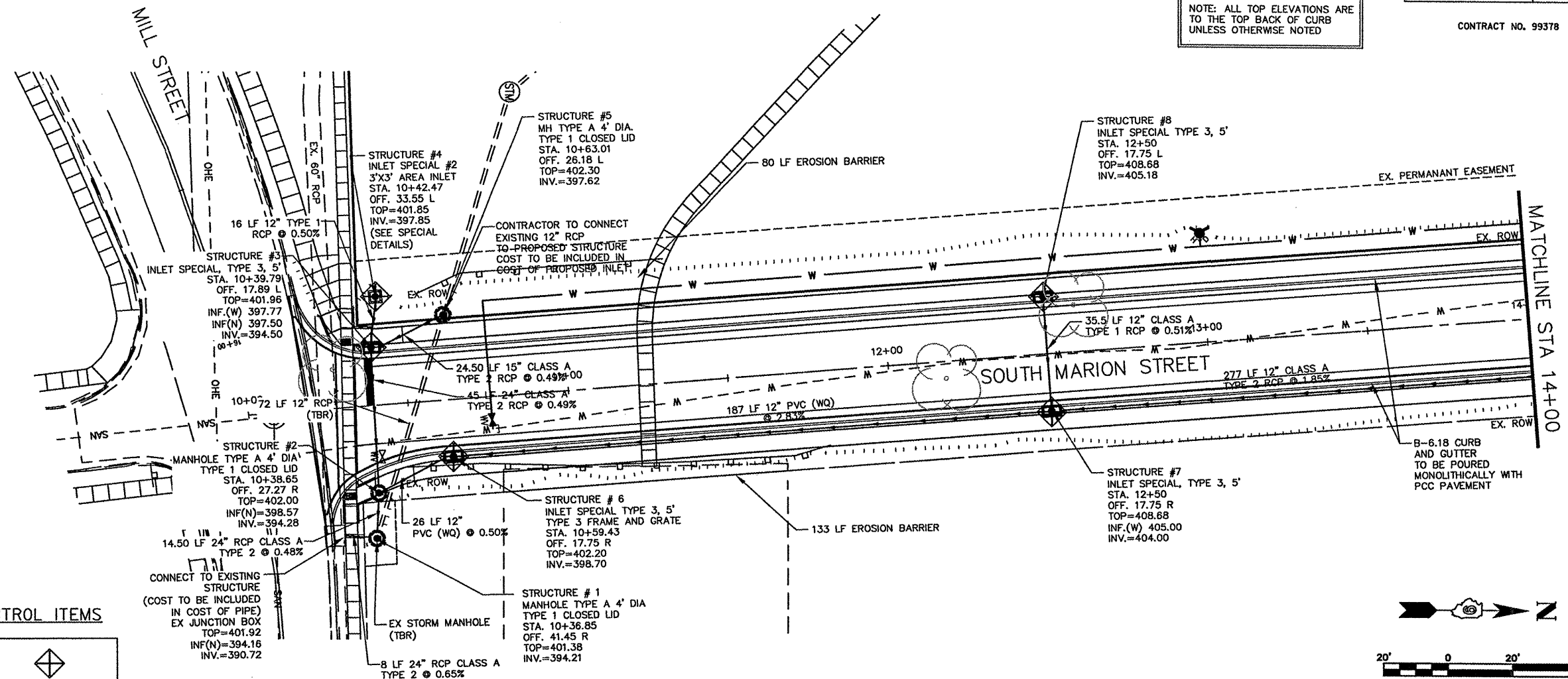
NOTE: ALL TOP ELEVATIONS ARE TO THE TOP BACK OF CURB UNLESS OTHERWISE NOTED

**THOUVENOT, WADE & MOERCHEN, INC.**  
ENGINEERS ♦ SURVEYORS ♦ PLANNERS



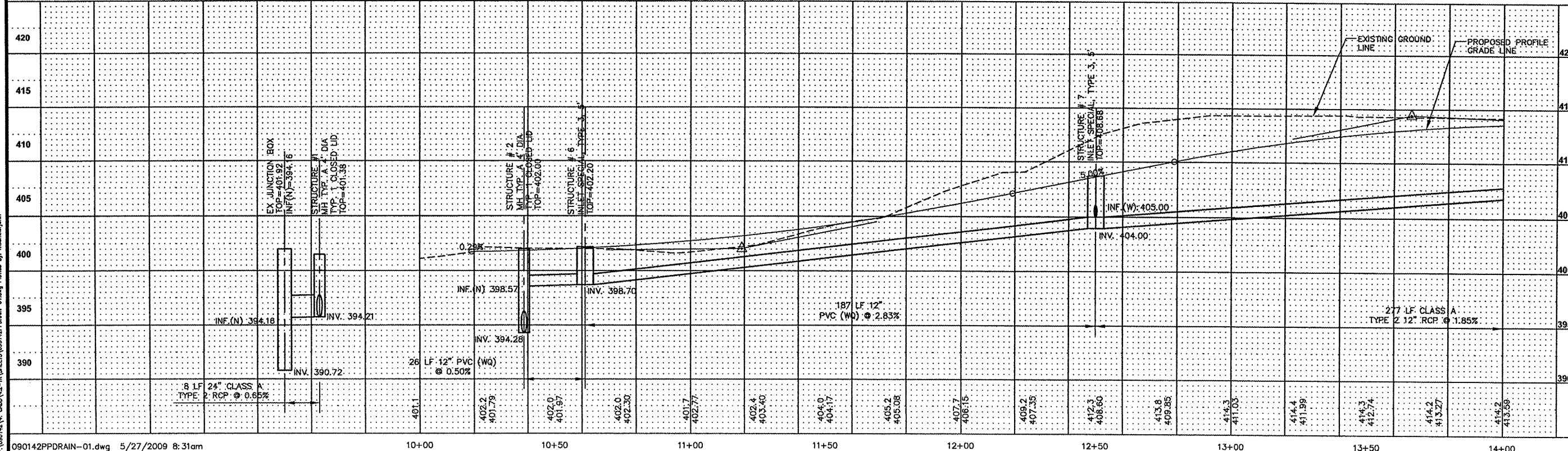
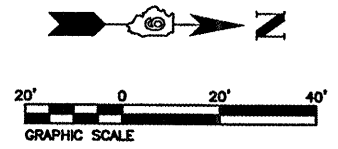
- CORPORATE OFFICE**  
4940 OLD COLLINSVILLE RD.  
SWANSEA, ILLINOIS 62226  
TEL (618) 624-4488  
FAX (618) 624-6688  
Info@twm-inc.com
- CARBONDALE OFFICE**  
206 WEST COLLEGE STREET  
CARBONDALE, ILLINOIS 62901  
TEL (618) 549-8844  
FAX (618) 549-8450  
Info@twm-inc.com
- EDWARDSVILLE OFFICE**  
1015B CENTURY DRIVE  
EDWARDSVILLE, ILLINOIS 62025  
TEL (618) 656-4040  
FAX (618) 656-4343  
Info@twm-inc.com
- ST. CHARLES OFFICE**  
400 NORTH 5TH ST., SUITE 101  
ST. CHARLES, MISSOURI 63301  
TEL (636) 724-8300  
FAX (636) 724-8304  
Info@twm-inc.com
- WATERLOO OFFICE**  
113 SOUTH MAIN STREET  
WATERLOO, ILLINOIS 62298  
TEL (618) 939-5050  
FAX (618) 939-3938  
Info@twm-inc.com

PROFESSIONAL REGISTRATIONS	LICENSE NO.
ILLINOIS PROFESSIONAL DESIGN FIRM	184-001220
PROFESSIONAL ENGINEERING CORP.	62-035370
PROFESSIONAL STRUCTURAL ENGR. CORP.	81-005202
ILLINOIS PROF. LAND SURVEYING CORP.	048-000029
MISSOURI PROFESSIONAL ENGR. CORP.	NC 001528
MISSOURI LAND SURVEYING CORP.	NC 000346



**TEMPORARY EROSION CONTROL ITEMS**

- ① INLET & PIPE PROTECTION
- ② EROSION BARRIER



**DRAINAGE PLAN AND PROFILE AND EROSION CONTROL PLAN**  
STA. 10+00 TO STA. 14+00

**SOUTH MARION STREET**  
CITY OF CARBONDALE  
JACKSON COUNTY, ILLINOIS

REV	DATE	DESCRIPTION

PLAN STATUS:	
<b>FINAL</b>	
<input checked="" type="checkbox"/> ISSUED FOR REVIEW	<input type="checkbox"/> ISSUED FOR BIDDING
<input type="checkbox"/> ISSUED FOR CONSTR.	<input type="checkbox"/> RECORD DRAWING
DRAWN BY: JJV	SHEET
DESIGNED BY: JJV	<b>10</b>
CHECKED BY: SJK	OF 24 SHEETS
APPROVED BY: JJV	PROJECT DESCRIPTION
PROJECT NUMBER: T06090142	

P:\090142\4\ 090142-PPDRAIN-01.dwg Plotted By: mshahid@pb

SECTION	COUNTY
09-00123-00-FP	JACKSON
FEDERAL AID PROJECT	ILLINOIS

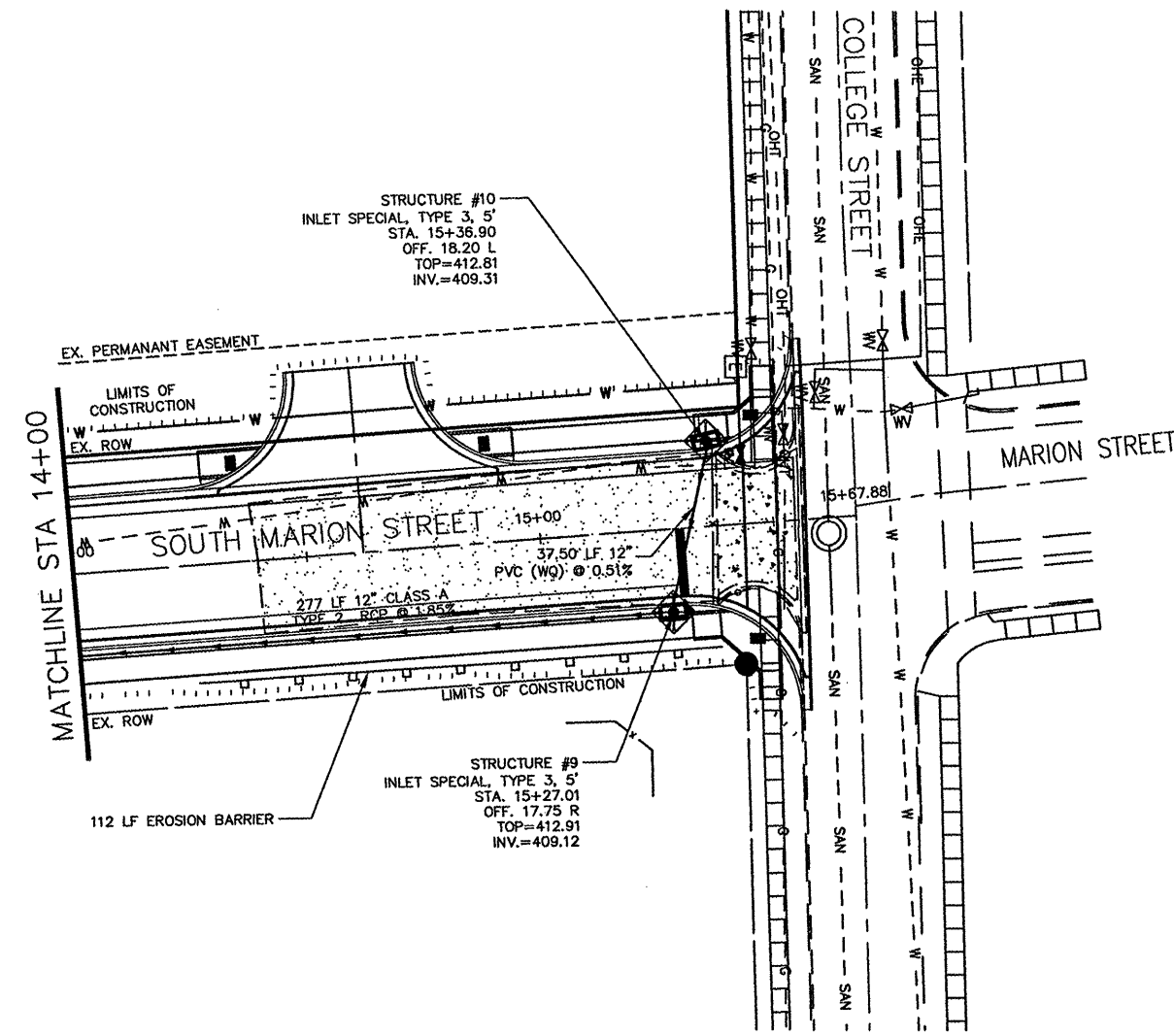
CONTRACT NO. 99378

**THOUVENOT,  
WADE &  
MOERCHEN, INC.**  
ENGINEERS ♦ SURVEYORS ♦ PLANNERS



- CORPORATE OFFICE**  
4940 OLD COLLINSVILLE RD.  
SWANSEA, ILLINOIS 62226  
TEL (618) 624-4488  
FAX (618) 624-6688  
info@twm-inc.com
- CARBONDALE OFFICE**  
206 WEST COLLEGE STREET  
CARBONDALE, ILLINOIS 62901  
TEL (618) 549-8844  
FAX (618) 549-8450  
info@twm-inc.com
- EDWARDSVILLE OFFICE**  
1015B CENTURY DRIVE  
EDWARDSVILLE, ILLINOIS 62025  
TEL (618) 656-4040  
FAX (618) 656-4343  
info@twm-inc.com
- ST. CHARLES OFFICE**  
400 NORTH 5TH ST., SUITE 101  
ST. CHARLES, MISSOURI 63301  
TEL (636) 724-8300  
FAX (636) 724-8304  
info@twm-inc.com
- WATERLOO OFFICE**  
113 SOUTH MAIN STREET  
WATERLOO, ILLINOIS 62298  
TEL (618) 939-5050  
FAX (618) 939-3938  
info@twm-inc.com

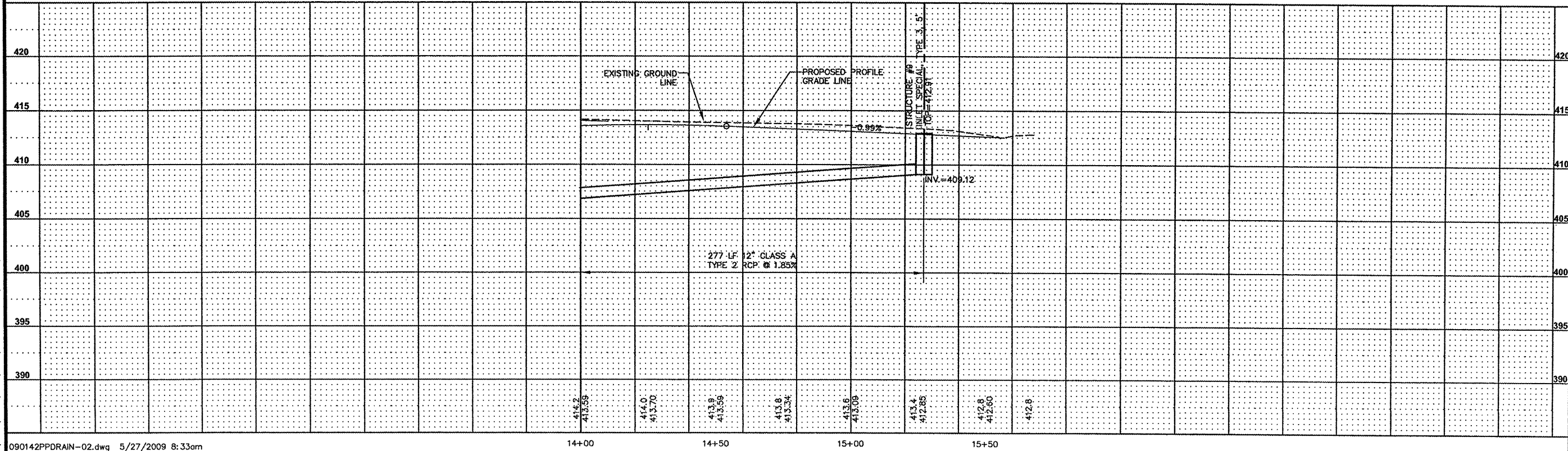
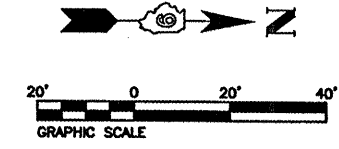
PROFESSIONAL REGISTRATIONS	LICENSE NO.
ILLINOIS PROFESSIONAL DESIGN FIRM	184-001220
PROFESSIONAL ENGINEERING CORP.	62-035370
PROFESSIONAL STRUCTURAL ENGR. CORP.	81-005202
ILLINOIS PROF. LAND SURVEYING CORP.	048-000029
MISSOURI PROFESSIONAL ENGR. CORP.	NC 001528
MISSOURI LAND SURVEYING CORP.	NC 000346



NOTE: ALL TOP ELEVATIONS ARE TO THE TOP BACK OF CURB UNLESS OTHERWISE NOTED

TEMPORARY EROSION CONTROL ITEMS

- ① INLET & PIPE PROTECTION
- ② EROSION BARRIER



**DRAINAGE PLAN AND PROFILE  
AND EROSION CONTROL PLAN  
STA. 14+00 TO STA. 15+67.88**

**SOUTH MARION STREET  
CITY OF CARBONDALE  
JACKSON COUNTY, ILLINOIS**

REV.	DATE	DESCRIPTION
△		
△		
△		

PLAN STATUS:  
**FINAL**

ISSUED FOR REVIEW     ISSUED FOR BIDDING  
 ISSUED FOR CONSTR.     RECORD DRAWING

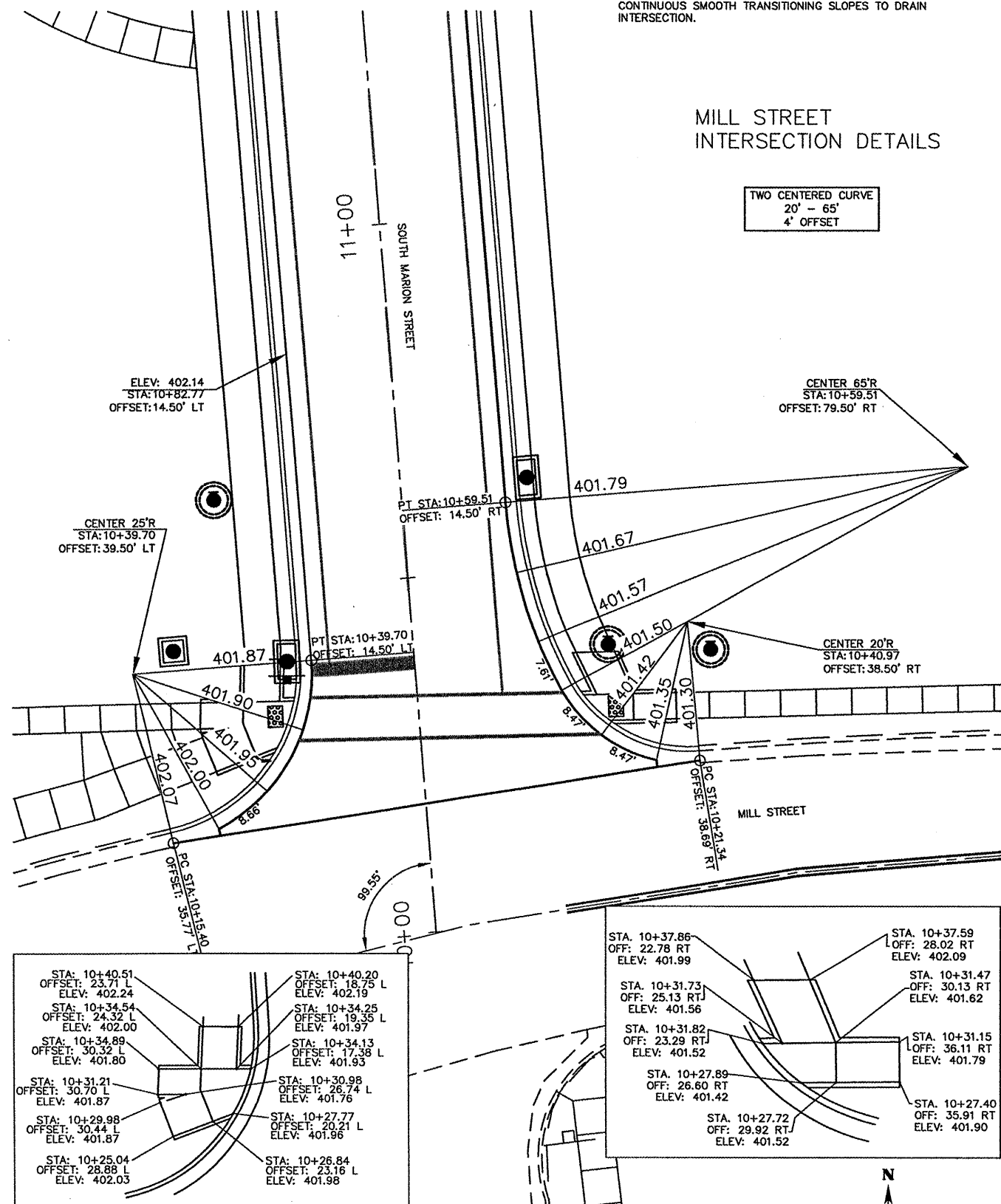
DRAWN BY: JUV    SHEET  
DESIGNED BY: JUV    **11**  
CHECKED BY: SJK    OF 24 SHEETS  
APPROVED BY: JUV    PROJECT DESCRIPTION  
PROJECT NUMBER: T06090142

F:\00142\1\_000142-TR\SHEETS\090142PPDRAIN-02.dwg Plotted By: mschwarz@joh

NOTE:  
ALL ELEVATIONS INDICATED ARE EDGE-OF-PAVEMENT (E.O.P.)  
ELEVATIONS AND ARE SPACED AT 10' CENTERS UNLESS OTHERWISE  
SHOWN.

ALL STATIONING IS REFERENCED FROM SOUTH MARION STREET.

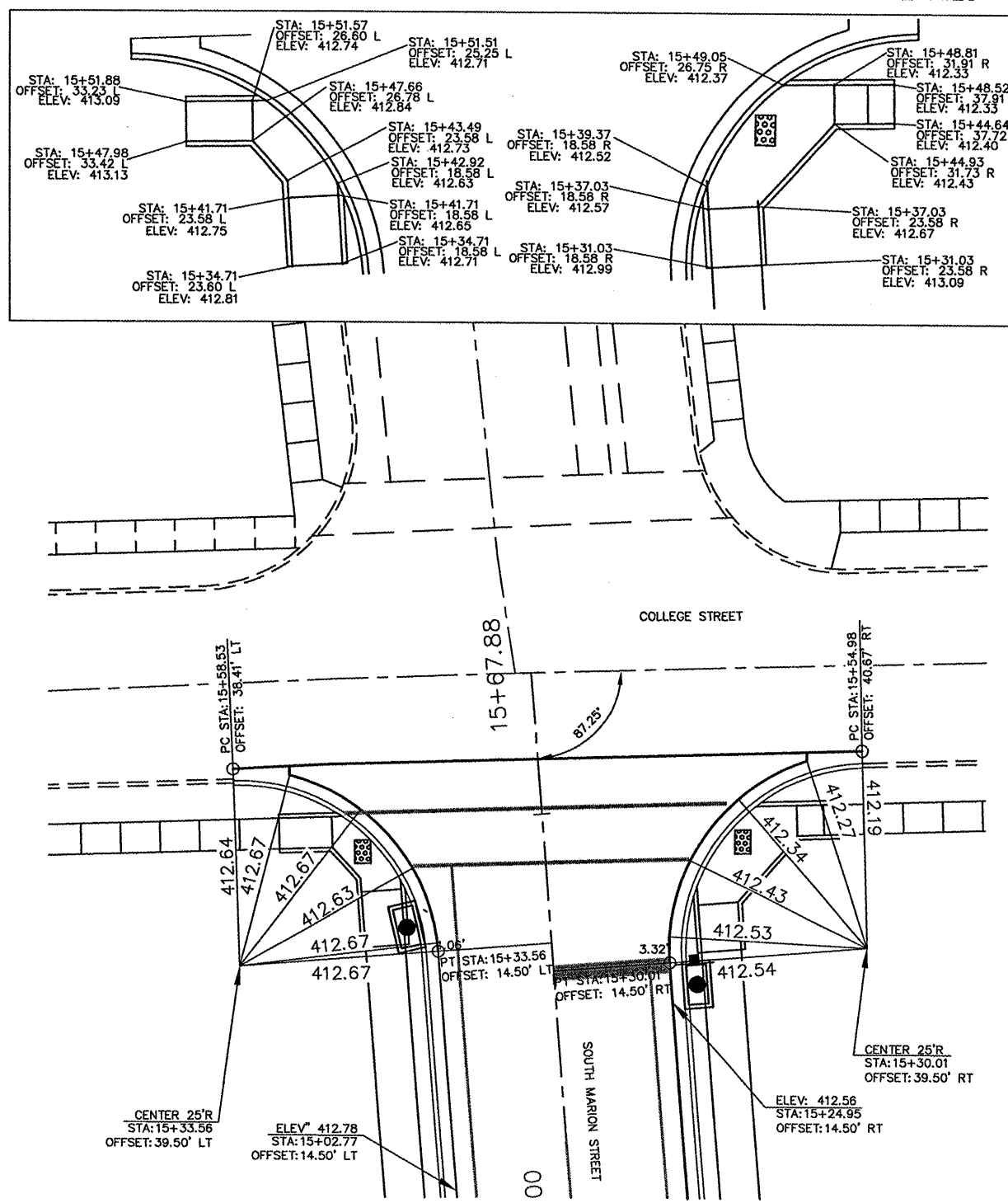
CONTRACTOR TO MATCH ADJACENT ELEVATIONS ALONG PAVEMENT  
TO REMAIN. INTERSECTION DETAIL ELEVATIONS BASED ON INDIVIDUAL  
POINTS SURVEYED IN FIELD. CONTRACTOR SHALL CONSTRUCT  
CONTINUOUS SMOOTH TRANSITIONING SLOPES TO DRAIN  
INTERSECTION.



NOTE:  
ALL ELEVATIONS INDICATED ARE EDGE-OF-PAVEMENT (E.O.P.)  
ELEVATIONS AND ARE SPACED AT 10' CENTERS UNLESS OTHERWISE  
SHOWN.

ALL STATIONING IS REFERENCED FROM SOUTH MARION STREET.

CONTRACTOR TO MATCH ADJACENT ELEVATIONS ALONG PAVEMENT  
TO REMAIN. INTERSECTION DETAIL ELEVATIONS BASED ON INDIVIDUAL  
POINTS SURVEYED IN FIELD. CONTRACTOR SHALL CONSTRUCT  
CONTINUOUS SMOOTH TRANSITIONING SLOPES TO DRAIN  
INTERSECTION.



FHW ROUTE	SECTION	COUNTY
9723	09-00123-00-FP	JACKSON
FEDERAL AID PROJECT		ILLINOIS

CONTRACT NO. 99378

**THOUVENOT,  
WADE &  
MOERCHEN, INC.**  
ENGINEERS ♦ SURVEYORS ♦ PLANNERS



- CORPORATE OFFICE**  
4940 OLD COLLINSVILLE RD.  
SWANSEA, ILLINOIS 62226  
TEL (618) 624-4488  
FAX (618) 624-6688  
Info@twm-inc.com
- CARBONDALE OFFICE**  
208 WEST COLLEGE STREET  
CARBONDALE, ILLINOIS 62901  
TEL (618) 549-8844  
FAX (618) 549-8450  
Info@twm-inc.com
- EDWARDSVILLE OFFICE**  
10158 CENTURY DRIVE  
EDWARDSVILLE, ILLINOIS 62025  
TEL (618) 656-4040  
FAX (618) 656-4343  
Info@twm-inc.com
- ST. CHARLES OFFICE**  
400 NORTH 5TH ST., SUITE 101  
ST. CHARLES, MISSOURI 63301  
TEL (636) 724-8300  
FAX (636) 724-8304  
Info@twm-inc.com
- WATERLOO OFFICE**  
113 SOUTH MAIN STREET  
WATERLOO, ILLINOIS 62298  
TEL (618) 939-5050  
FAX (618) 939-3938  
Info@twm-inc.com

PROFESSIONAL REGISTRATIONS	LICENSE NO.
ILLINOIS PROFESSIONAL DESIGN FIRM	184-001220
PROFESSIONAL ENGINEERING CORP.	62-035370
PROFESSIONAL STRUCTURAL ENGR. CORP.	61-005202
ILLINOIS PROF. LAND SURVEYING CORP.	048-000029
MISSOURI PROFESSIONAL ENGR. CORP.	NC 001528
MISSOURI LAND SURVEYING CORP.	NC 000346

INTERSECTION DETAILS

SOUTH MARION STREET  
CITY OF CARBONDALE  
JACKSON COUNTY, ILLINOIS

REV.	DATE	DESCRIPTION

PLAN STATUS:	
<b>FINAL</b>	
<input type="checkbox"/> ISSUED FOR REVIEW	<input checked="" type="checkbox"/> ISSUED FOR BIDDING
<input type="checkbox"/> ISSUED FOR CONSTR.	<input type="checkbox"/> RECORD DRAWING
DRAWN BY: JJV	SHEET
DESIGNED BY: JJV	<b>12</b>
CHECKED BY: SJK	OF 24 SHEETS
APPROVED BY: SJK	PROJECT DESCRIPTION
PROJECT NUMBER:	

FAU ROUTE	SECTION	COUNTY
9723	09-00123-00-FP	JACKSON
FEDERAL AID PROJECT		ILLINOIS

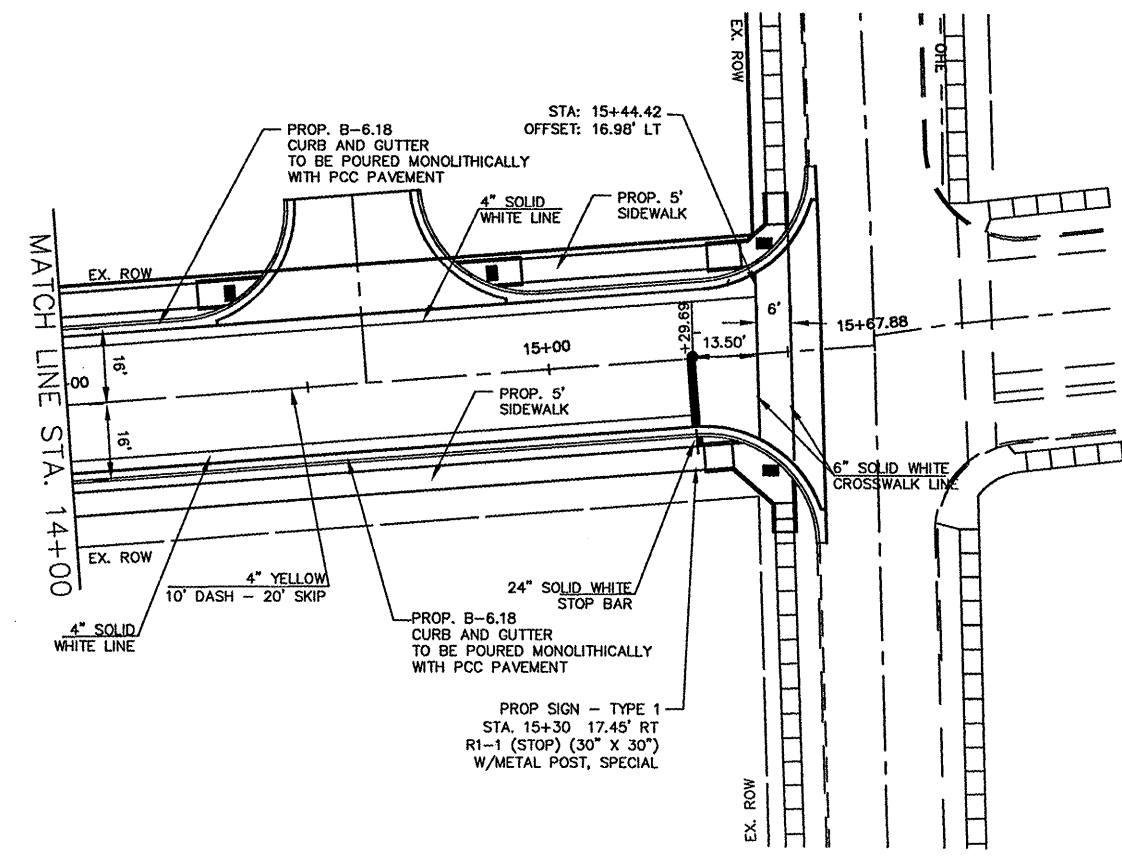
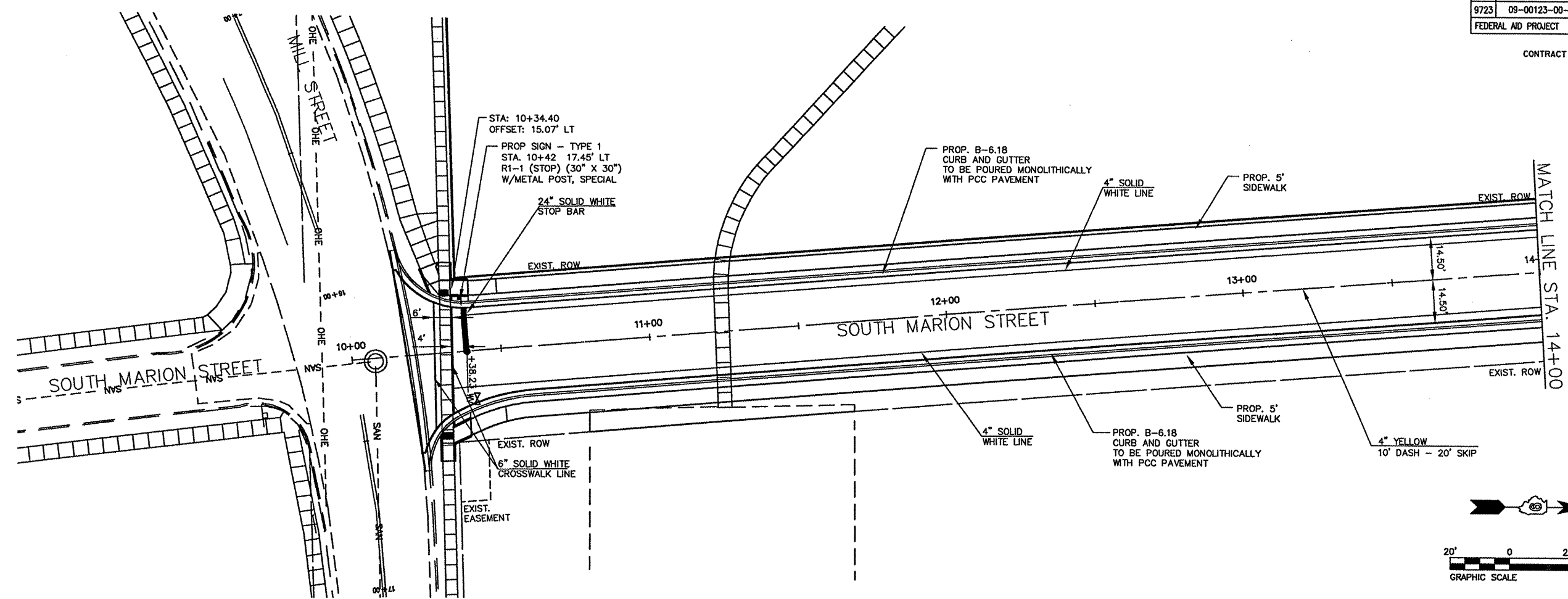
CONTRACT NO. 99378

**THOUVENOT, WADE & MOERCHEN, INC.**  
ENGINEERS • SURVEYORS • PLANNERS



- CORPORATE OFFICE**  
4940 OLD COLLINSVILLE RD.  
SWANSEA, ILLINOIS 62226  
TEL (618) 624-4488  
FAX (618) 624-6668  
info@twm-inc.com
- CARBONDALE OFFICE**  
206 WEST COLLEGE STREET  
CARBONDALE, ILLINOIS 62901  
TEL (618) 549-8844  
FAX (618) 549-8450  
info@twm-inc.com
- EDWARDSVILLE OFFICE**  
1015B CENTURY DRIVE  
EDWARDSVILLE, ILLINOIS 62025  
TEL (618) 656-4040  
FAX (618) 656-4343  
info@twm-inc.com
- ST. CHARLES OFFICE**  
400 NORTH 5TH ST., SUITE 101  
ST. CHARLES, MISSOURI 63301  
TEL (636) 724-8300  
FAX (636) 724-8304  
info@twm-inc.com
- WATERLOO OFFICE**  
113 SOUTH MAIN STREET  
WATERLOO, ILLINOIS 62298  
TEL (618) 939-5050  
FAX (618) 939-3938  
info@twm-inc.com

PROFESSIONAL REGISTRATIONS	LICENSE NO.
ILLINOIS PROFESSIONAL DESIGN FIRM	184-001220
PROFESSIONAL ENGINEERING CORP.	62-035370
PROFESSIONAL STRUCTURAL ENGR. CORP.	81-005202
ILLINOIS PROF. LAND SURVEYING CORP.	048-000029
MISSOURI PROFESSIONAL ENGR. CORP.	NC 001528
MISSOURI LAND SURVEYING CORP.	NC 000346



**PAVEMENT MARKING AND SIGNAGE PLAN**  
STA: 10+00.00 TO STA: 15+67.88

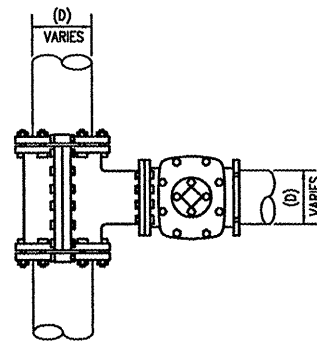
**SOUTH MARION STREET**  
CITY OF CARBONDALE  
JACKSON COUNTY, ILLINOIS

REV.	DATE	DESCRIPTION

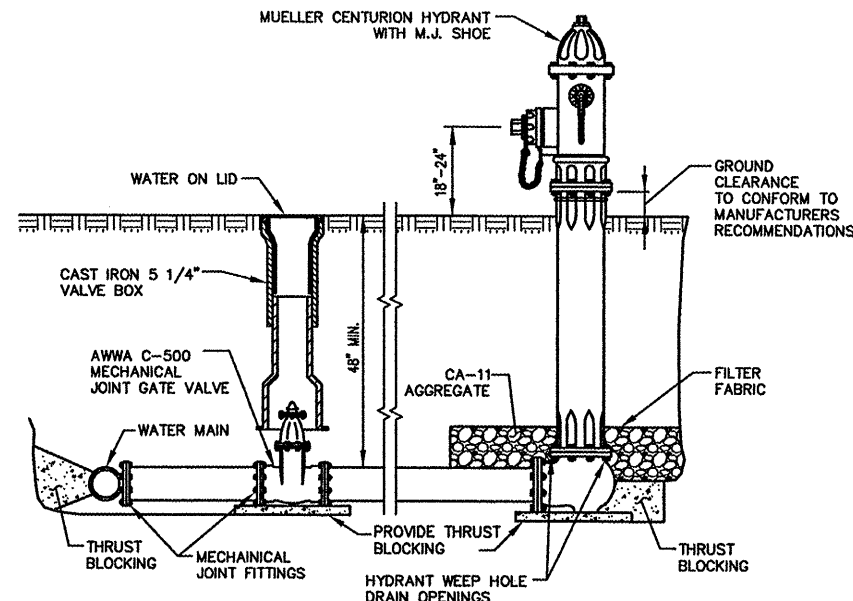
PLAN STATUS:  
**FINAL**

<input checked="" type="checkbox"/> ISSUED FOR REVIEW	<input type="checkbox"/> ISSUED FOR BIDDING
<input type="checkbox"/> ISSUED FOR CONSTR.	<input type="checkbox"/> RECORD DRAWING
DRAWN BY: JJV	SHEET: 13
DESIGNED BY: JJV	OF 24 SHEETS
CHECKED BY: SJK	PROJECT DESCRIPTION:
APPROVED BY: JJV	PROJECT NUMBER: T06090142

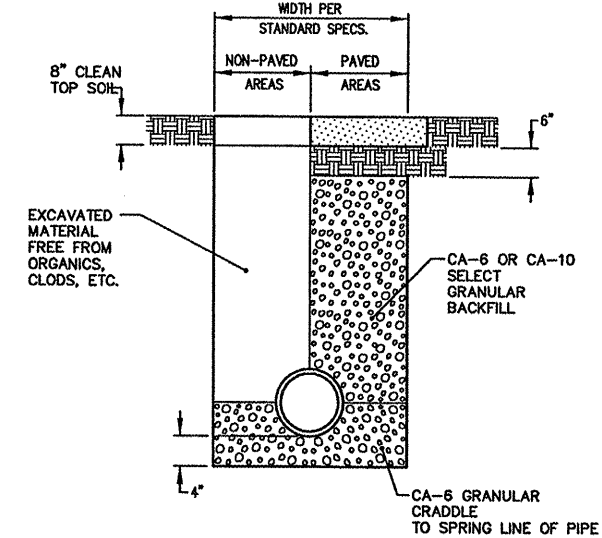
P:\090142\01.dwg 5/27/2009 8:48am



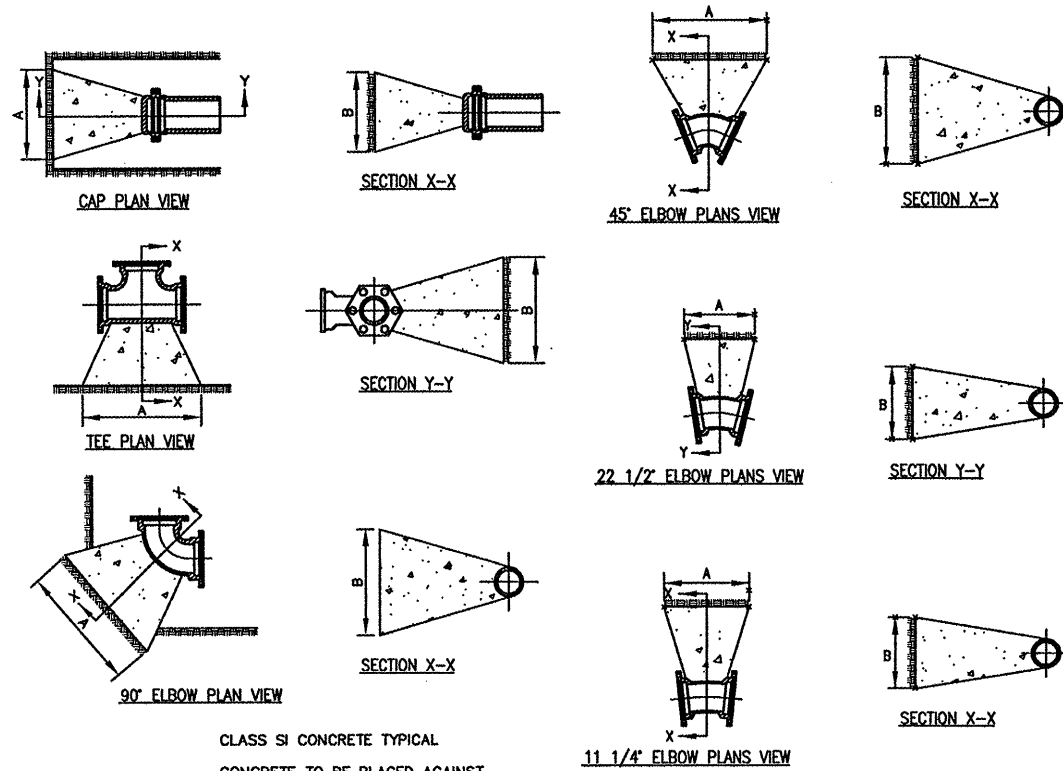
WATER TAPPING SLEEVE & VALVE



FIRE HYDRANT WITH AUXILIARY GATE VALVE AND BOX



WATER MAIN TYPICAL TRENCH SECTION

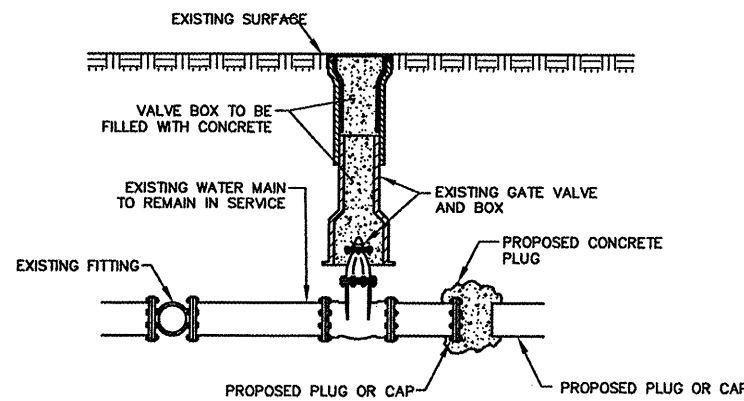


CLASS SI CONCRETE TYPICAL  
CONCRETE TO BE PLACED AGAINST  
UNDISTURBED EARTH

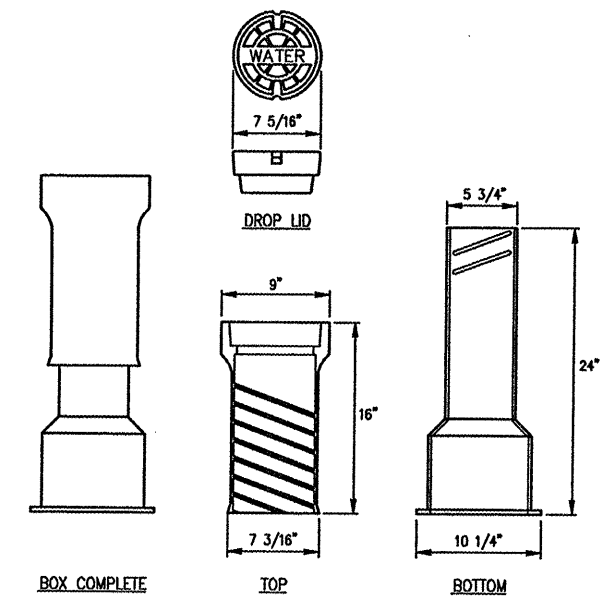
PIPE SIZE	DEGREE OF BEND	DIMENSIONS	
		A	B
8"	TEE OR PLUG	4'	2'
8"	90	5'	2 1/2'
8"	45	3'	2'
8"	22 1/2	3'	1'
8"	11 1/4	2'	1'
6"	TEE OR PLUG	2 1/2'	2'
6"	90	3'	2'
6"	45	3'	1 1/2'
6"	22 1/2	3'	1'
6"	11 1/4	2'	1'

PIPE SIZE	DEGREE OF BEND	DIMENSIONS	
		A	B
12"	TEE OR PLUG	6'	3'
12"	90	6'	4'
12"	45	5'	3'
12"	22 1/2	4'	2'
12"	11 1/4	3'	2'
10"	TEE OR PLUG	4'	3'
10"	90	6'	3'
10"	45	5'	2'
10"	22 1/2	3'	2'
10"	11 1/4	3'	1'

TRUST BLOCKS FOR HORIZONTAL BENDS, TEES AND CAPS



CUT AND CAP EXISTING WATER MAIN



CASTINGS FOR CAST IRON PARTS OF VALVE BOXES SHALL CONFORM TO THE REQUIREMENTS OF STANDARD SPECIFICATIONS FOR GRAY IRON CASTINGS, ASTM A-48.

ADJUSTABLE CAST IRON VALVE BOXES SHALL BE SET IN A VERTICAL ALIGNMENT TO THE GATE VALVE OPERATING STEM. THE LOWER UNIT SHALL NOT REST UPON THE BODY OF THE GATE VALVE OR WATER MAIN. THE UPPER CASTING OF THE UNIT SHALL BE ALIGNED AND ELEVATED TO BE FLUSH WITH FINAL GRADE.

CAST IRON VALVE COMPONENTS

FHW ROUTE	SECTION	COUNTY
9723	09-00123-00-FP	JACKSON
FEDERAL AID PROJECT	ILLINOIS	

CONTRACT NO. 99378

THOUVENOT,  
WADE &  
MOERCHEN, INC.  
ENGINEERS ♦ SURVEYORS ♦ PLANNERS



☑ CORPORATE OFFICE  
4940 OLD COLLINSVILLE RD.  
SWANSEA, ILLINOIS 62226  
TEL (618) 624-4488  
FAX (618) 624-6688  
Info@twm-inc.com

☐ CARBONDALE OFFICE  
206 WEST COLLEGE STREET  
CARBONDALE, ILLINOIS 62901  
TEL (618) 549-8844  
FAX (618) 549-8450  
Info@twm-inc.com

☐ EDWARDSVILLE OFFICE  
1015B CENTURY DRIVE  
EDWARDSVILLE, ILLINOIS 62025  
TEL (618) 656-4040  
FAX (618) 656-4343  
Info@twm-inc.com

☐ ST. CHARLES OFFICE  
400 NORTH 5TH ST., SUITE 101  
ST. CHARLES, MISSOURI 63301  
TEL (636) 724-8300  
FAX (636) 724-8304  
Info@twm-inc.com

☐ WATERLOO OFFICE  
113 SOUTH MAIN STREET  
WATERLOO, ILLINOIS 62298  
TEL (618) 939-5050  
FAX (618) 939-3938  
Info@twm-inc.com

PROFESSIONAL REGISTRATIONS	LICENSE NO.
ILLINOIS PROFESSIONAL DESIGN FIRM	184-001220
PROFESSIONAL ENGINEERING CORP.	62-035370
PROFESSIONAL STRUCTURAL ENGR. CORP.	81-005202
ILLINOIS PROF. LAND SURVEYING CORP.	048-000029
MISSOURI PROFESSIONAL ENGR. CORP.	NC 001528
MISSOURI LAND SURVEYING CORP.	NC 000346

SPECIAL DETAILS

SOUTH MARION STREET  
CITY OF CARBONDALE  
JACKSON COUNTY, ILLINOIS

TITLE

REV.	DATE	DESCRIPTION

PLAN STATUS:

FINAL

☑ ISSUED FOR REVIEW ☐ ISSUED FOR BIDDING  
☐ ISSUED FOR CONSTR. ☐ RECORD DRAWING

DRAWN BY:	JJV	SHEET
DESIGNED BY:	JJV	14
CHECKED BY:	SJK	OF 24 SHEETS
APPROVED BY:	JJV	PROJECT DESCRIPTION
PROJECT NUMBER:	T06090142	

FAU ROUTE	SECTION	COUNTY
9723	09-00123-00-FP	JACKSON
FEDERAL AID PROJECT	ILLINOIS	

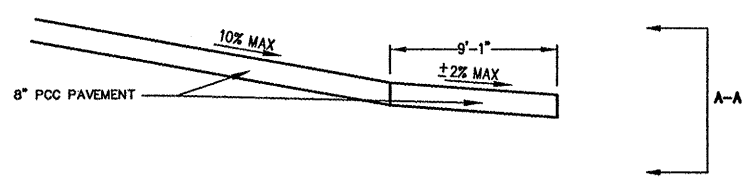
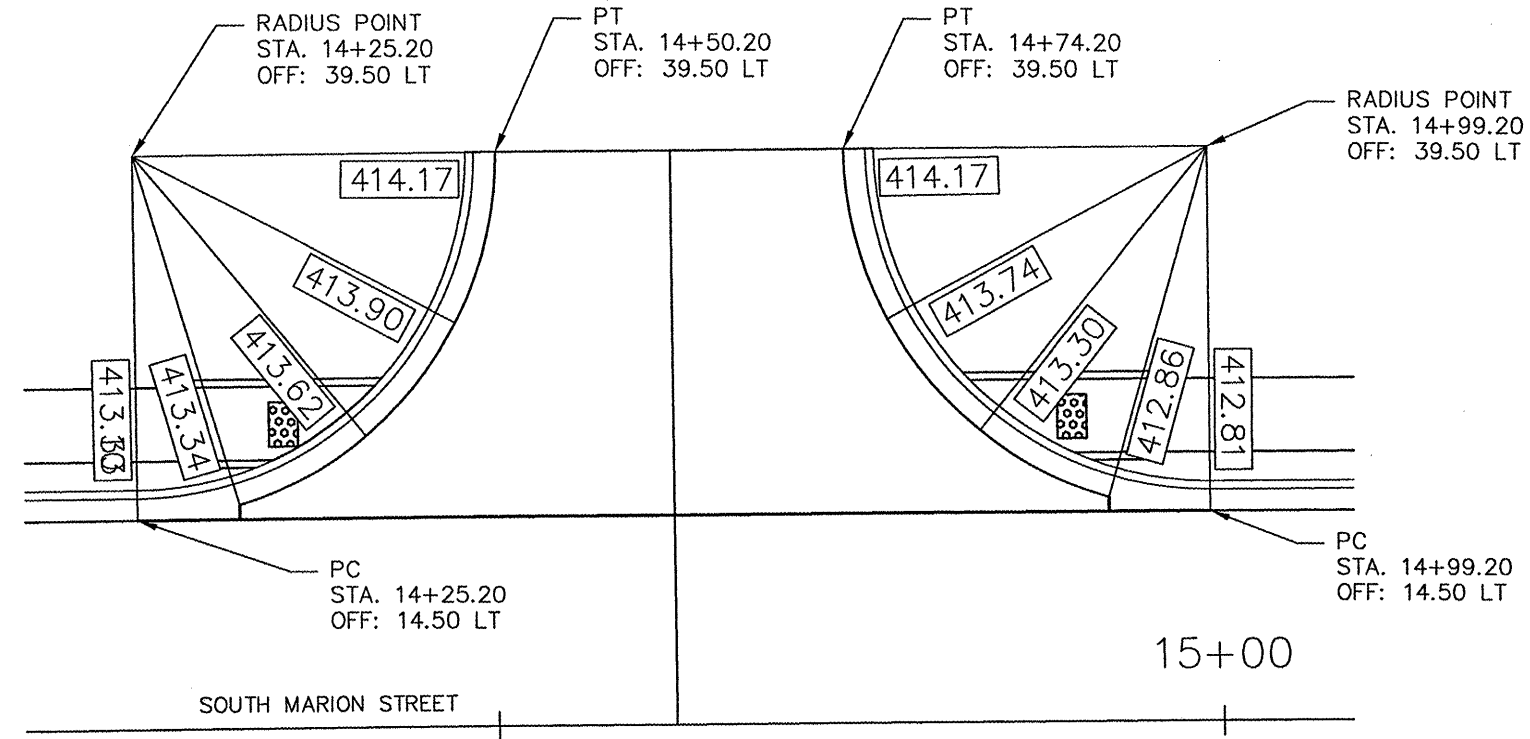
CONTRACT NO. 99378

**THOUVENOT, WADE & MOERCHEN, INC.**  
ENGINEERS ♦ SURVEYORS ♦ PLANNERS

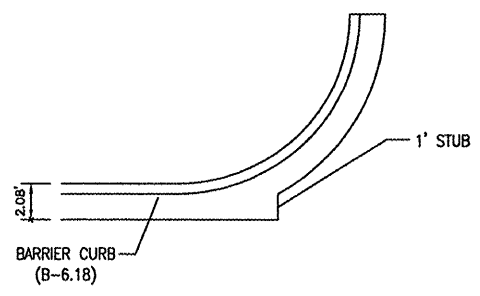


- CORPORATE OFFICE**  
4940 OLD COLLINSVILLE RD.  
SWANSEA, ILLINOIS 62226  
TEL (618) 624-4488  
FAX (618) 624-6688  
info@twm-inc.com
- CARBONDALE OFFICE**  
206 WEST COLLEGE STREET  
CARBONDALE, ILLINOIS 62901  
TEL (618) 549-8844  
FAX (618) 549-8450  
info@twm-inc.com
- EDWARDSVILLE OFFICE**  
1015B CENTURY DRIVE  
EDWARDSVILLE, ILLINOIS 62025  
TEL (618) 656-4040  
FAX (618) 656-4343  
info@twm-inc.com
- ST. CHARLES OFFICE**  
400 NORTH 5TH ST., SUITE 101  
ST. CHARLES, MISSOURI 63301  
TEL (636) 724-8300  
FAX (636) 724-8304  
info@twm-inc.com
- WATERLOO OFFICE**  
113 SOUTH MAIN STREET  
WATERLOO, ILLINOIS 62298  
TEL (618) 939-5050  
FAX (618) 939-3938  
info@twm-inc.com

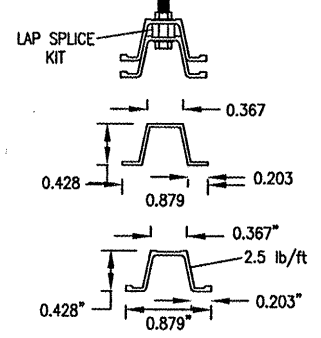
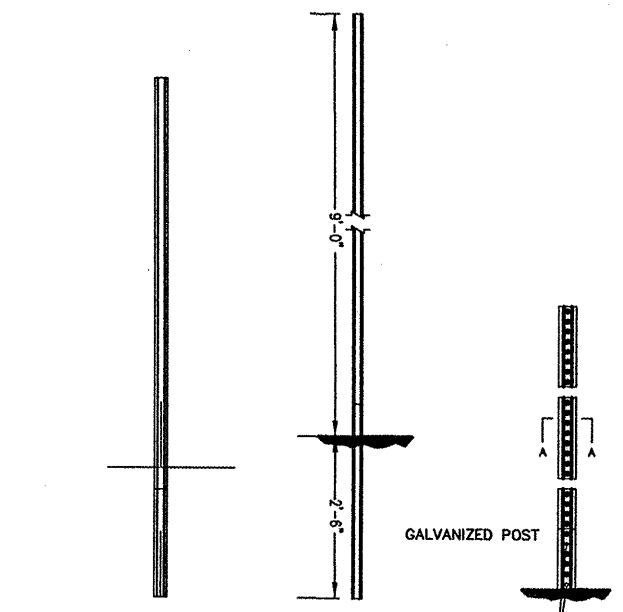
PROFESSIONAL REGISTRATIONS	LICENSE NO.
ILLINOIS PROFESSIONAL DESIGN FIRM	184-001220
PROFESSIONAL ENGINEERING CORP.	62-035370
PROFESSIONAL STRUCTURAL ENGR. CORP.	81-005202
ILLINOIS PROF. LAND SURVEYING CORP.	048-000029
MISSOURI PROFESSIONAL ENGR. CORP.	NC 001528
MISSOURI LAND SURVEYING CORP.	NC 000348



**SECTION A-A**  
**COMMERCIAL ENTRANCE**  
**STA. 14+62.20**



**B-6.18 CURB & GUTTER DETAIL**  
**AT COMMERCIAL ENTRANCE**



**STEEL SIGN SUPPORT**  
**METAL POST, SPECIAL**

**SPECIAL DETAILS**

**SOUTH MARION STREET**  
**CITY OF CARBONDALE**  
**JACKSON COUNTY, ILLINOIS**

REV.	DATE	DESCRIPTION
△		
△		
△		

PLAN STATUS:  
**FINAL**

<input checked="" type="checkbox"/> ISSUED FOR REVIEW	<input type="checkbox"/> ISSUED FOR BIDDING
<input type="checkbox"/> ISSUED FOR CONSTR.	<input type="checkbox"/> RECORD DRAWING
DRAWN BY: JJV	SHEET: <b>15</b>
DESIGNED BY: JJV	OF 24 SHEETS
CHECKED BY: SJK	PROJECT DESCRIPTION:
APPROVED BY: JJV	PROJECT NUMBER: T06090142

P:\090142\A\_CADD\2-TR\SHEETS\090142DL-01.dwg Plotted By: mchawajohn

FBI ROUTE	SECTION	COUNTY
9723	09-00123-00-FP	JACKSON
FEDERAL AID PROJECT	ILLINOIS	

CONTRACT NO. 99378

**THOUVENOT, WADE & MOERCHEN, INC.**  
ENGINEERS ♦ SURVEYORS ♦ PLANNERS



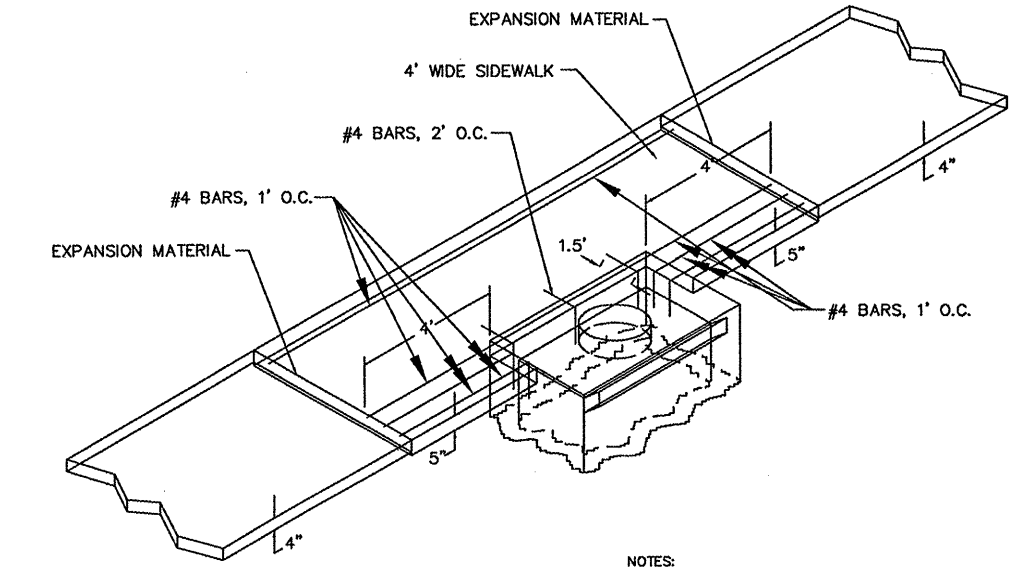
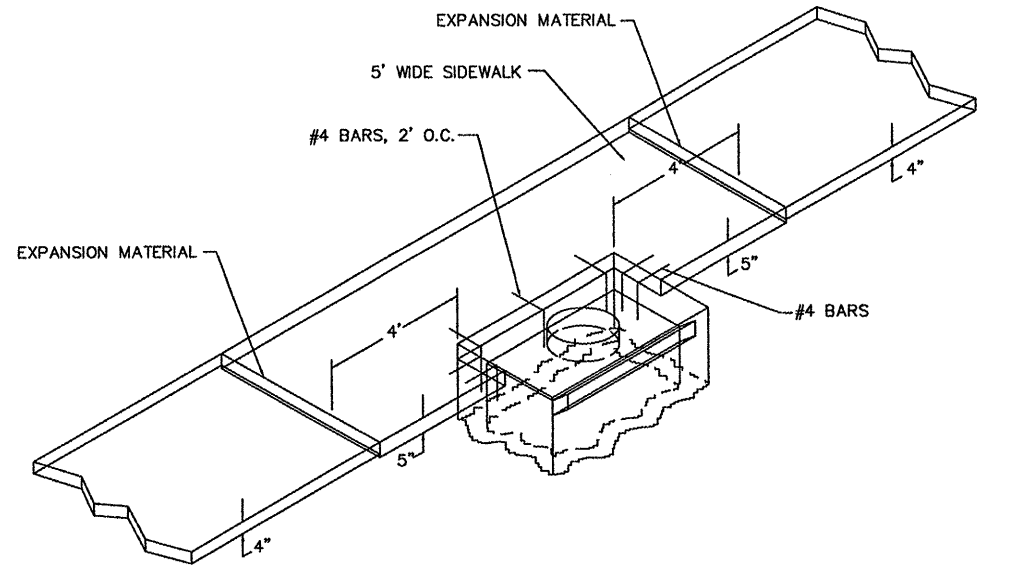
- CORPORATE OFFICE**  
 4940 OLD COLLINSVILLE RD.  
 SWANSEA, ILLINOIS 62226  
 TEL (618) 624-4488  
 FAX (618) 624-6688  
 info@twm-inc.com
- CARBONDALE OFFICE**  
 206 WEST COLLEGE STREET  
 CARBONDALE, ILLINOIS 62901  
 TEL (618) 549-8844  
 FAX (618) 549-8450  
 info@twm-inc.com
- EDWARDSVILLE OFFICE**  
 1015B CENTURY DRIVE  
 EDWARDSVILLE, ILLINOIS 62025  
 TEL (618) 656-4040  
 FAX (618) 656-4343  
 info@twm-inc.com
- ST. CHARLES OFFICE**  
 400 NORTH 5TH ST., SUITE 101  
 ST. CHARLES, MISSOURI 63301  
 TEL (636) 724-8300  
 FAX (636) 724-8304  
 info@twm-inc.com
- WATERLOO OFFICE**  
 113 SOUTH MAIN STREET  
 WATERLOO, ILLINOIS 62298  
 TEL (618) 939-5050  
 FAX (618) 939-3938  
 info@twm-inc.com

PROFESSIONAL REGISTRATIONS	LICENSE NO.
ILLINOIS PROFESSIONAL DESIGN FIRM	184-001220
PROFESSIONAL ENGINEERING CORP.	02-035370
PROFESSIONAL STRUCTURAL ENGR. CORP.	01-005202
ILLINOIS PROF. LAND SURVEYING CORP.	046-000029
MISSOURI PROFESSIONAL ENGR. CORP.	NC 001528
MISSOURI LAND SURVEYING CORP.	NC 000348

**SPECIAL DETAILS**  
 SOUTH MARION STREET  
 CITY OF CARBONDALE  
 JACKSON COUNTY, ILLINOIS

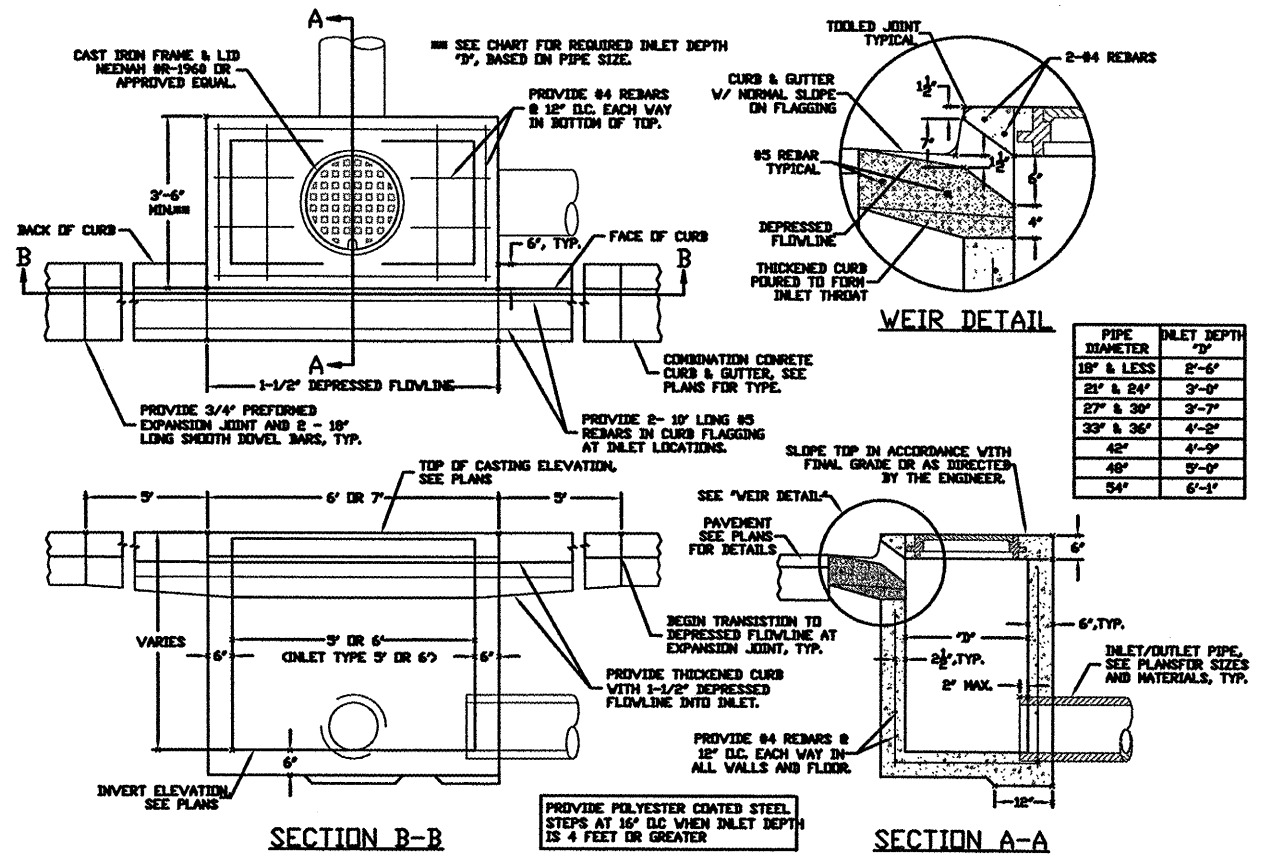
REV.	DATE	DESCRIPTION

PLAN STATUS:	
<b>FINAL</b>	
<input checked="" type="checkbox"/> ISSUED FOR REVIEW <input type="checkbox"/> ISSUED FOR CONSTR. DRAWN BY: JJV DESIGNED BY: JJV CHECKED BY: SJK APPROVED BY: JJV PROJECT NUMBER: T06090142	<input type="checkbox"/> ISSUED FOR BIDDING <input type="checkbox"/> RECORD DRAWING SHEET <b>16</b> OF 24 SHEETS PROJECT DESCRIPTION



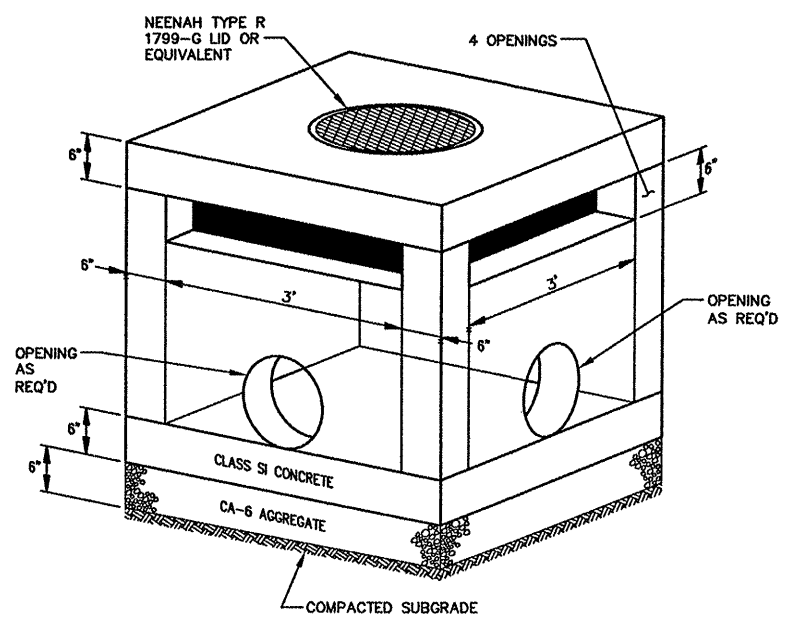
- NOTES:
- PAYMENT FOR THIS WORK SHALL BE AT THE CONTRACT UNIT PRICE PER SQUARE FOOT FOR PCC SIDEWALK 4". NO ADDITIONAL COMPENSATION WILL BE MADE FOR THE REBAR REINFORCEMENT.
  - 5/8" HOOK BARS WITH THREADED COUPLING MAY BE USED IN LIEU OF THE #4 REBARS. (SEE STD. 420001)

**INLET / SIDEWALK JOINT**  
NO SCALE



PIPE DIAMETER	INLET DEPTH
18" & LESS	2'-6"
21" & 24"	3'-0"
27" & 30"	3'-7"
33" & 36"	4'-2"
42"	4'-9"
48"	5'-0"
54"	6'-1"

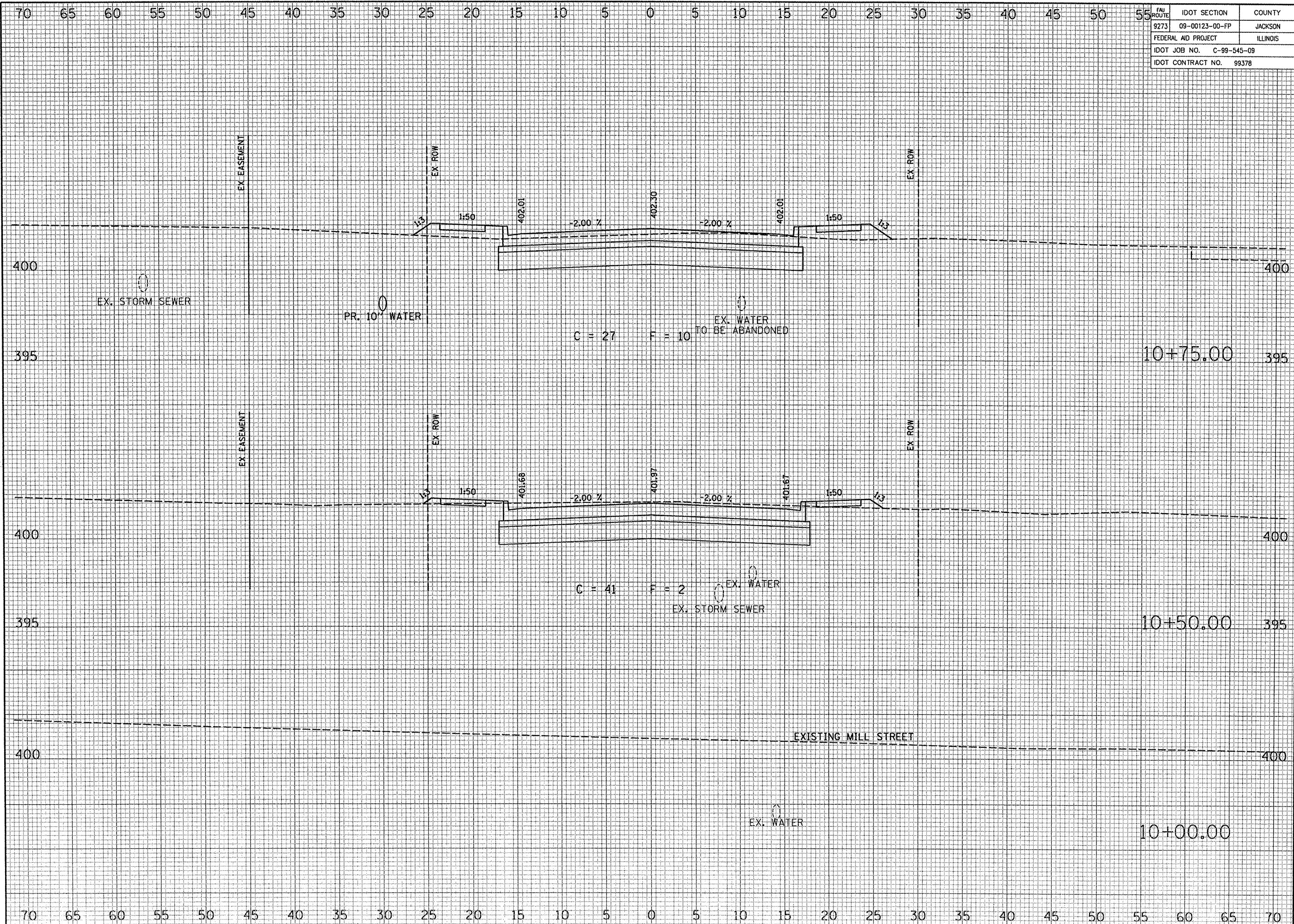
**INLET SPECIAL TYPE 3, 5' OR 6' DETAIL**  
NO SCALE



**3'X3' AREA INLET**  
**INLET, SPECIAL #2**

P:\090142\4\_020\4-2-TRV\9723\090142DL-01.dwg Plotted By: jwmwch





FAJ ROUTE	IDOT SECTION	COUNTY
9273	09-00123-00-FP	JACKSON
FEDERAL AID PROJECT		ILLINOIS
IDOT JOB NO. C-99-545-09		
IDOT CONTRACT NO. 99378		

**THOUVENOT, WADE & MOERCHEN, INC.**  
ENGINEERS ♦ SURVEYORS ♦ PLANNERS



- CORPORATE OFFICE**  
4940 OLD COLLINSVILLE RD.  
SWANSEA, ILLINOIS 62226  
TEL (618) 624-4488  
FAX (618) 624-6688  
info@twm-inc.com
- CARBONDALE OFFICE**  
206 WEST COLLEGE ST., SUITE 2  
CARBONDALE, ILLINOIS 62901  
TEL (618) 549-8844  
FAX (618) 549-8450  
info@twm-inc.com
- EDWARDSVILLE OFFICE**  
1015B CENTURY DRIVE  
EDWARDSVILLE, ILLINOIS 62025  
TEL (618) 656-4040  
FAX (618) 656-4343  
info@twm-inc.com
- ST. CHARLES OFFICE**  
400 NORTH 5th ST., SUITE 101  
ST. CHARLES, MISSOURI 63301  
TEL (636) 724-8300  
FAX (636) 724-8304  
info@twm-inc.com
- WATERLOO OFFICE**  
113 SOUTH MAIN STREET  
WATERLOO, ILLINOIS 62298  
TEL (618) 939-5050  
FAX (618) 939-3938  
info@twm-inc.com

PROFESSIONAL REGISTRATIONS	LICENSE NO.
ILLINOIS PROFESSIONAL DESIGN FIRM	184-001220
PROFESSIONAL ENGINEERING CORP.	62-053370
PROFESSIONAL STRUCTURAL ENGR. CORP.	81-005202
ILLINOIS PROF. LAND SURVEYING CORP.	048-000029
MISSOURI PROFESSIONAL ENGR. CORP.	NC 001528
MISSOURI LAND SURVEYING CORP.	NC 000346

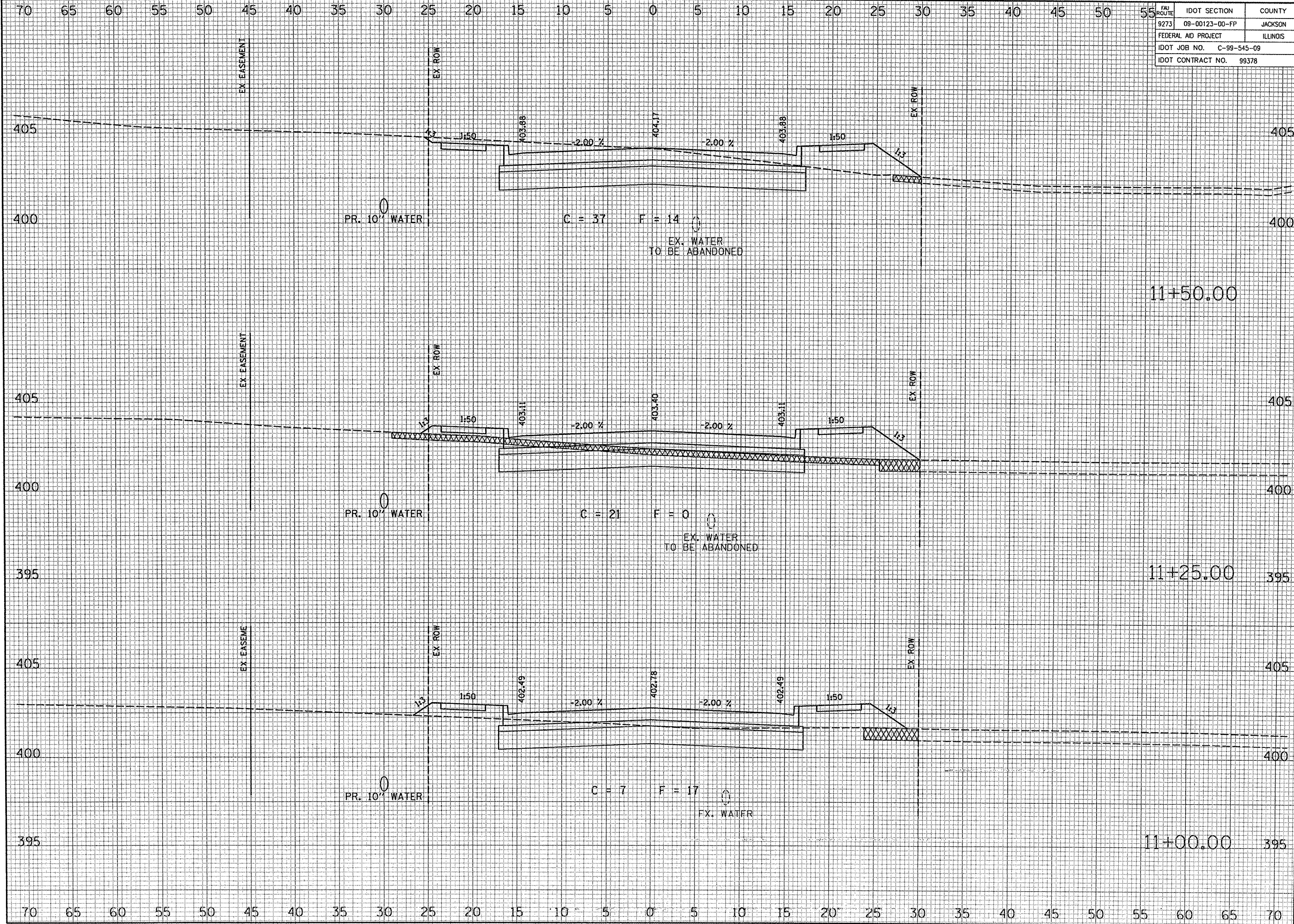
**TITLE:** SOUTH MARION STREET CROSS SECTIONS

**PROJECT:** SOUTH MARION STREET CITY OF CARBONDALE JACKSON COUNTY, ILLINOIS

REV.	DATE	DESCRIPTION
△		
△		
△		

DRAWN BY:	MLS	SHEET
DESIGNED BY:	MLS	17
CHECKED BY:	SJK	OF 24 SHEETS
APPROVED BY:	SJK	PROJECT DESCRIPTION
PROJECT NUMBER:	106-090142	MARION ST CONSTRUCTION

- ISSUED FOR REVIEW
- ISSUED FOR BIDDING
- ISSUED FOR CONSTR.
- RECORD DRAWING



FED. ROUTE	IDOT SECTION	COUNTY
9273	08-00123-00-FP	JACKSON
FEDERAL AID PROJECT		ILLINOIS
IDOT JOB NO.		C-99-545-09
IDOT CONTRACT NO.		99378

**THOUVENOT, WADE & MOERCHEN, INC.**  
 ENGINEERS ♦ SURVEYORS ♦ PLANNERS



- CORPORATE OFFICE**  
 4940 OLD COLLINSVILLE RD.  
 SWANSEA, ILLINOIS 62226  
 TEL (618) 624-4488  
 FAX (618) 624-6688  
 info@twm-inc.com
- CARBONDALE OFFICE**  
 206 WEST COLLEGE ST., SUITE 2  
 CARBONDALE, ILLINOIS 62901  
 TEL (618) 549-8844  
 FAX (618) 549-8450  
 info@twm-inc.com
- EDWARDSVILLE OFFICE**  
 1015B CENTURY DRIVE  
 EDWARDSVILLE, ILLINOIS 62025  
 TEL (618) 656-4040  
 FAX (618) 656-4343  
 info@twm-inc.com
- ST. CHARLES OFFICE**  
 400 NORTH 5th ST., SUITE 101  
 ST. CHARLES, MISSOURI 63301  
 TEL (636) 724-8300  
 FAX (636) 724-8304  
 info@twm-inc.com
- WATERLOO OFFICE**  
 113 SOUTH MAIN STREET  
 WATERLOO, ILLINOIS 62298  
 TEL (618) 939-5050  
 FAX (618) 939-3938  
 info@twm-inc.com

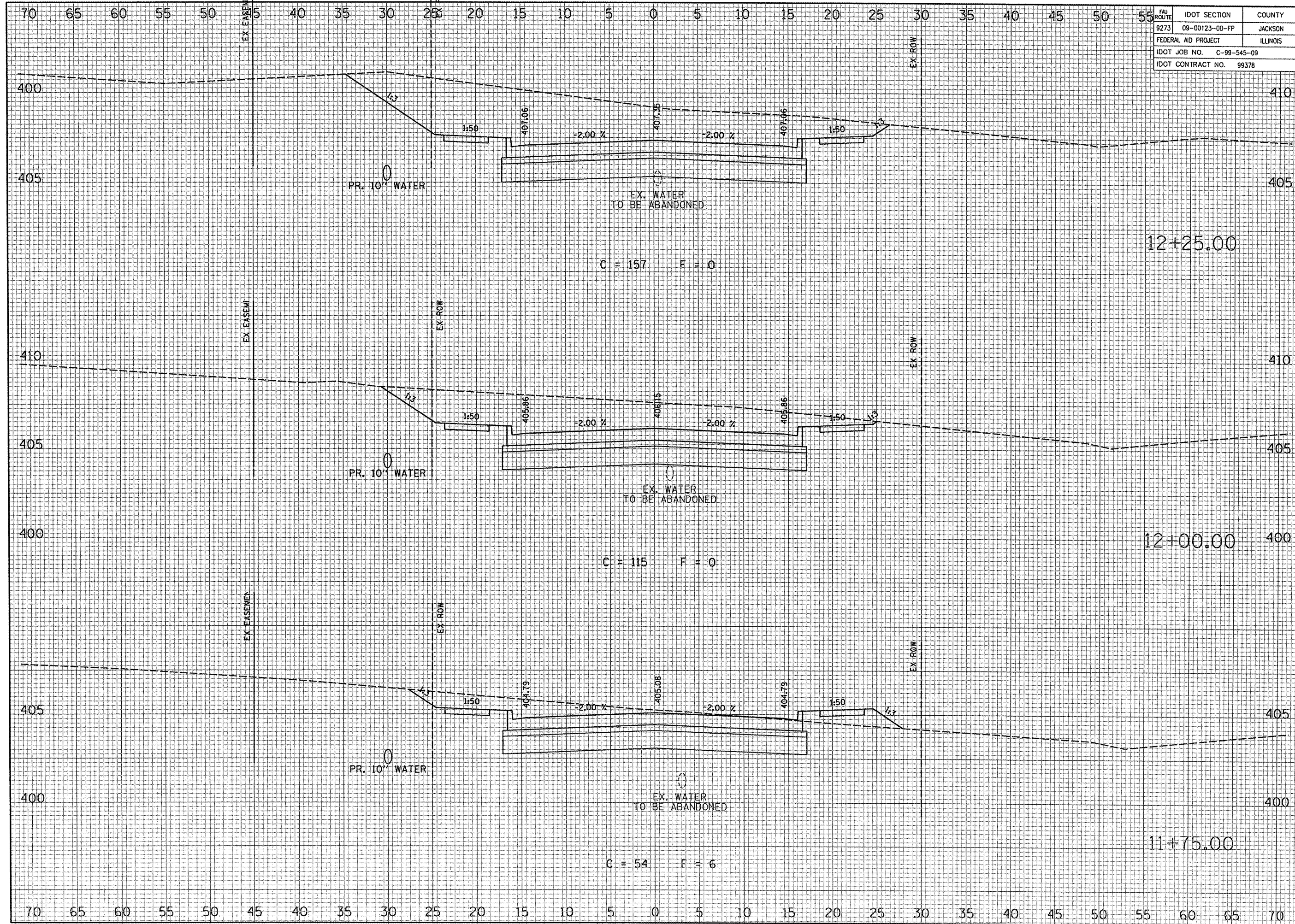
PROFESSIONAL REGISTRATIONS	LICENSE NO.
ILLINOIS PROFESSIONAL DESIGN FIRM	184-001220
PROFESSIONAL ENGINEERING CORP.	62-035370
PROFESSIONAL STRUCTURAL ENGR. CORP.	81-005202
ILLINOIS PROF. LAND SURVEYING CORP.	048-000029
MISSOURI PROFESSIONAL ENGR. CORP.	NC 001528
MISSOURI LAND SURVEYING CORP.	NC 000346

**TITLE**  
 SOUTH MARION STREET  
 CROSS SECTIONS

**PROJECT:**  
 SOUTH MARION STREET  
 CITY OF CARBONDALE  
 JACKSON COUNTY, ILLINOIS

REV.	DATE	DESCRIPTION
△		
△		
△		

<b>DRAWN BY:</b>	MLS	<b>SHEET</b>
<b>DESIGNED BY:</b>	MLS	<b>18</b>
<b>CHECKED BY:</b>	SJK	<b>OF 24 SHEETS</b>
<b>APPROVED BY:</b>	SJK	<b>PROJECT DESCRIPTION</b>
<b>PROJECT NUMBER</b>	106-090142	MARION ST CONSTRUCTION
<input checked="" type="checkbox"/> ISSUED FOR REVIEW <input type="checkbox"/> ISSUED FOR BIDDING <input type="checkbox"/> ISSUED FOR CONSTR. <input type="checkbox"/> RECORD DRAWINGS		



FAU ROUTE	IDOT SECTION	COUNTY
9273	09-00123-00-FP	JACKSON
FEDERAL AID PROJECT	ILLINOIS	
IDOT JOB NO.	C-99-545-09	
IDOT CONTRACT NO.	99378	

**THOUVENOT, WADE & MOERCHEN, INC.**  
ENGINEERS ♦ SURVEYORS ♦ PLANNERS



- CORPORATE OFFICE**  
4940 OLD COLLINSVILLE RD.  
SWANSEA, ILLINOIS 62226  
TEL (618) 624-4488  
FAX (618) 624-6688  
info@twm-inc.com
- CARBONDALE OFFICE**  
206 WEST COLLEGE ST., SUITE 2  
CARBONDALE, ILLINOIS 62901  
TEL (618) 549-8844  
FAX (618) 549-8450  
info@twm-inc.com
- EDWARDSVILLE OFFICE**  
10158 CENTURY DRIVE  
EDWARDSVILLE, ILLINOIS 62025  
TEL (618) 656-4040  
FAX (618) 656-4343  
info@twm-inc.com
- ST. CHARLES OFFICE**  
400 NORTH 5th ST., SUITE 101  
ST. CHARLES, MISSOURI 63301  
TEL (636) 724-8300  
FAX (636) 724-8304  
info@twm-inc.com
- WATERLOO OFFICE**  
113 SOUTH MAIN STREET  
WATERLOO, ILLINOIS 62298  
TEL (618) 939-5050  
FAX (618) 939-3938  
info@twm-inc.com

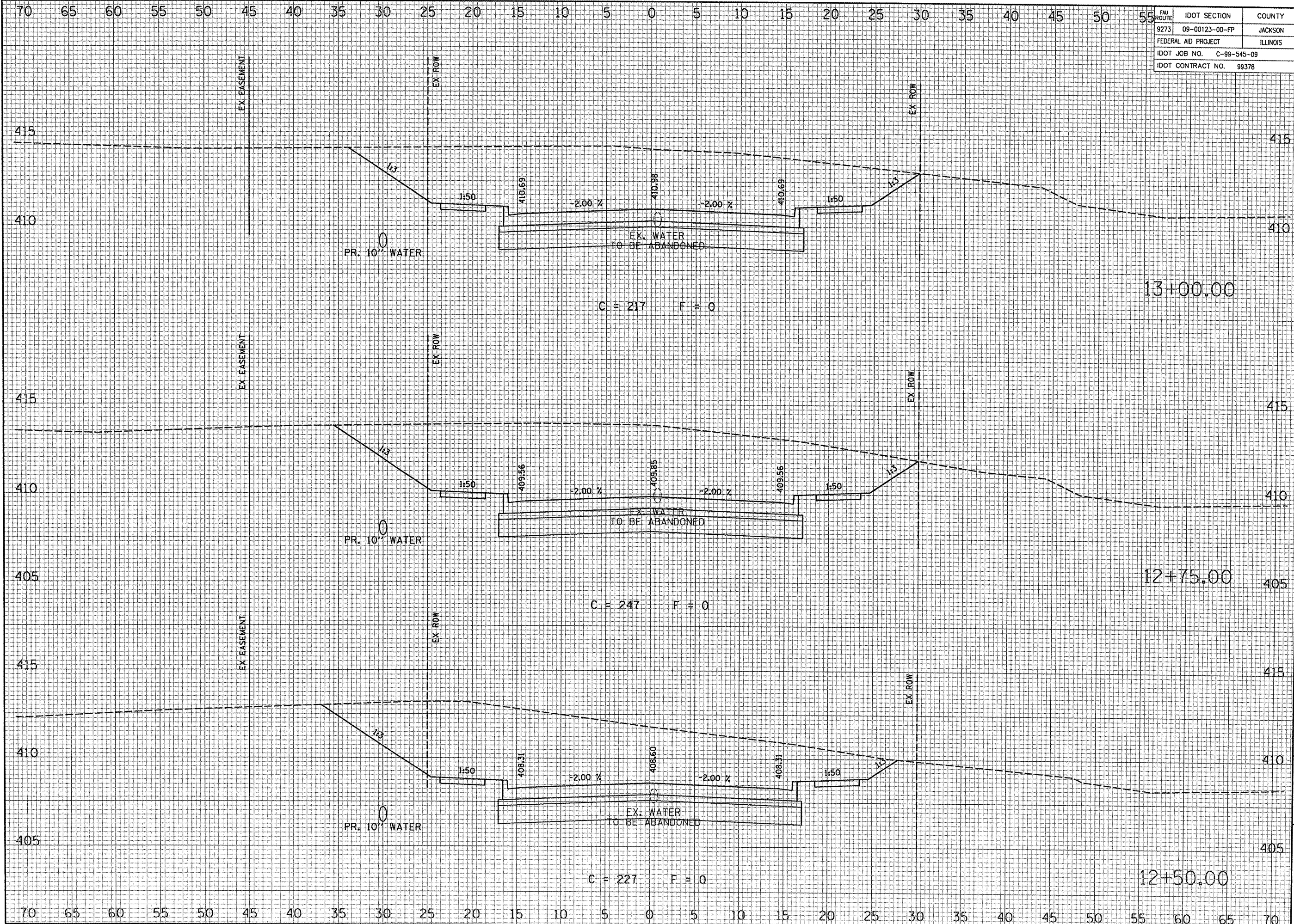
PROFESSIONAL REGISTRATIONS	LICENSE NO.
ILLINOIS PROFESSIONAL DESIGN FIRM	164-001220
PROFESSIONAL ENGINEERING CORP.	62-055370
PROFESSIONAL STRUCTURAL ENGR. CORP.	01-005202
ILLINOIS PROF. LAND SURVEYING CORP.	048-000029
MISSOURI PROFESSIONAL ENGR. CORP.	NC 001528
MISSOURI LAND SURVEYING CORP.	NC 000346

**TITLE:** SOUTH MARION STREET CROSS SECTIONS

**PROJECT:** SOUTH MARION STREET CITY OF CARBONDALE JACKSON COUNTY, ILLINOIS

REV.	DATE	DESCRIPTION
△		
△		
△		

<b>DRAWN BY:</b> MLS	<b>SHEET</b>
<b>DESIGNED BY:</b> MLS	<b>19</b>
<b>CHECKED BY:</b> SJK	<b>OF 24 SHEETS</b>
<b>APPROVED BY:</b> SJK	<b>PROJECT DESCRIPTION</b>
<b>PROJECT NUMBER:</b> 106-090142	MARION ST CONSTRUCTION
<input checked="" type="checkbox"/> ISSUED FOR REVIEW	<input type="checkbox"/> ISSUED FOR BIDDING
<input type="checkbox"/> ISSUED FOR CONSTR.	<input type="checkbox"/> RECORD DRAWING



FED. ROUTE	IDOT SECTION	COUNTY
9273	09-00123-00-FP	JACKSON
FEDERAL AID PROJECT		ILLINOIS
IDOT JOB NO.	C-99-545-09	
IDOT CONTRACT NO.	99378	

**THOUVENOT, WADE & MOERCHEN, INC.**  
ENGINEERS ♦ SURVEYORS ♦ PLANNERS



- CORPORATE OFFICE**  
4940 OLD COLLINSVILLE RD.  
SWANSEA, ILLINOIS 62226  
TEL (618) 624-4488  
FAX (618) 624-6688  
info@twm-inc.com
- CARBONDALE OFFICE**  
206 WEST COLLEGE ST., SUITE 2  
CARBONDALE, ILLINOIS 62901  
TEL (618) 549-8844  
FAX (618) 549-8450  
info@twm-inc.com
- EDWARDSVILLE OFFICE**  
10158 CENTURY DRIVE  
EDWARDSVILLE, ILLINOIS 62025  
TEL (618) 656-4040  
FAX (618) 656-4343  
info@twm-inc.com
- ST. CHARLES OFFICE**  
400 NORTH 5th ST., SUITE 101  
ST. CHARLES, MISSOURI 63301  
TEL (636) 724-8300  
FAX (636) 724-8304  
info@twm-inc.com
- WATERLOO OFFICE**  
113 SOUTH MAIN STREET  
WATERLOO, ILLINOIS 62298  
TEL (618) 939-5050  
FAX (618) 939-3938  
info@twm-inc.com

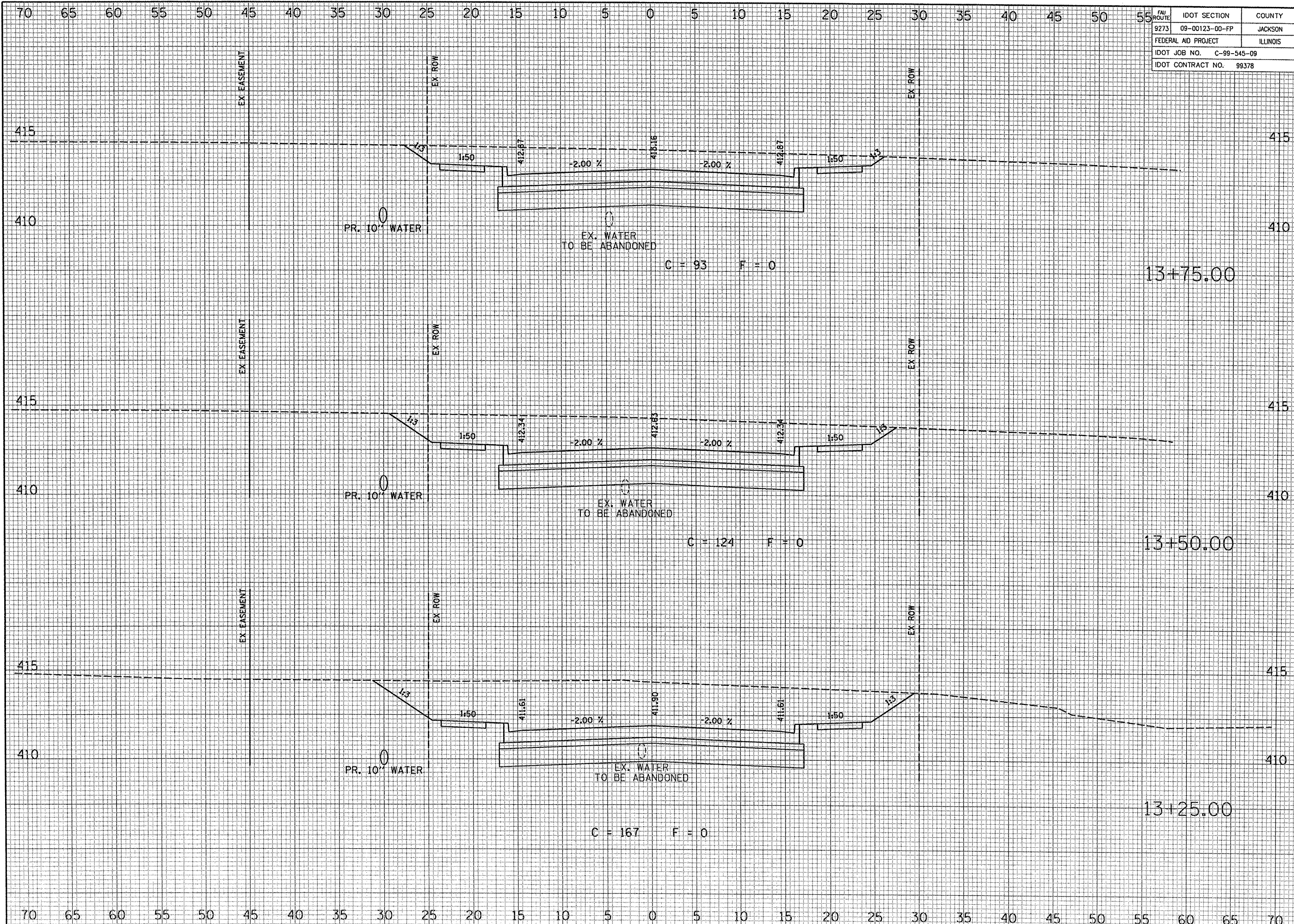
PROFESSIONAL REGISTRATIONS	LICENSE NO.
ILLINOIS PROFESSIONAL DESIGN FIRM	184-001220
PROFESSIONAL ENGINEERING CORP.	62-033370
PROFESSIONAL STRUCTURAL ENGR. CORP.	81-005202
ILLINOIS PROF. LAND SURVEYING CORP.	046-000029
MISSOURI PROFESSIONAL ENGR. CORP.	NC 001528
MISSOURI LAND SURVEYING CORP.	NC 000346

**TITLE**  
SOUTH MARION STREET  
CROSS SECTIONS

**PROJECT:**  
SOUTH MARION STREET  
CITY OF CARBONDALE  
JACKSON COUNTY, ILLINOIS

REV.	DATE	DESCRIPTION
▲		
▲		
▲		

DRAWN BY:	MLS	SHEET
DESIGNED BY:	MLS	<b>20</b>
CHECKED BY:	SJK	OF 24 SHEETS
APPROVED BY:	SJK	PROJECT DESCRIPTION
PROJECT NUMBER	106-090142	MARION ST CONSTRUCTION
<input checked="" type="checkbox"/> ISSUED FOR REVIEW	<input type="checkbox"/> ISSUED FOR BIDDING	
<input type="checkbox"/> ISSUED FOR CONSTR.	<input type="checkbox"/> RECORD DRAWING	



FBI ROUTE	IDOT SECTION	COUNTY
9273	09-00123-00-FP	JACKSON
FEDERAL AID PROJECT		ILLINOIS
IDOT JOB NO.	C-99-545-09	
IDOT CONTRACT NO.	99378	

**THOUVENOT, WADE & MOERCHEN, INC.**  
ENGINEERS ♦ SURVEYORS ♦ PLANNERS



- CORPORATE OFFICE**  
4940 OLD COLLINSVILLE RD.  
SWANSEA, ILLINOIS 62226  
TEL (618) 624-4488  
FAX (618) 624-6688  
info@twm-inc.com
- CARBONDALE OFFICE**  
206 WEST COLLEGE ST., SUITE 2  
CARBONDALE, ILLINOIS 62901  
TEL (618) 549-8844  
FAX (618) 549-8450  
info@twm-inc.com
- EDWARDSVILLE OFFICE**  
1015B CENTURY DRIVE  
EDWARDSVILLE, ILLINOIS 62025  
TEL (618) 656-4040  
FAX (618) 656-4343  
info@twm-inc.com
- ST. CHARLES OFFICE**  
400 NORTH 5th ST., SUITE 101  
ST. CHARLES, MISSOURI 63301  
TEL (636) 724-8300  
FAX (636) 724-8304  
info@twm-inc.com
- WATERLOO OFFICE**  
113 SOUTH MAIN STREET  
WATERLOO, ILLINOIS 62298  
TEL (618) 939-5050  
FAX (618) 939-3938  
info@twm-inc.com

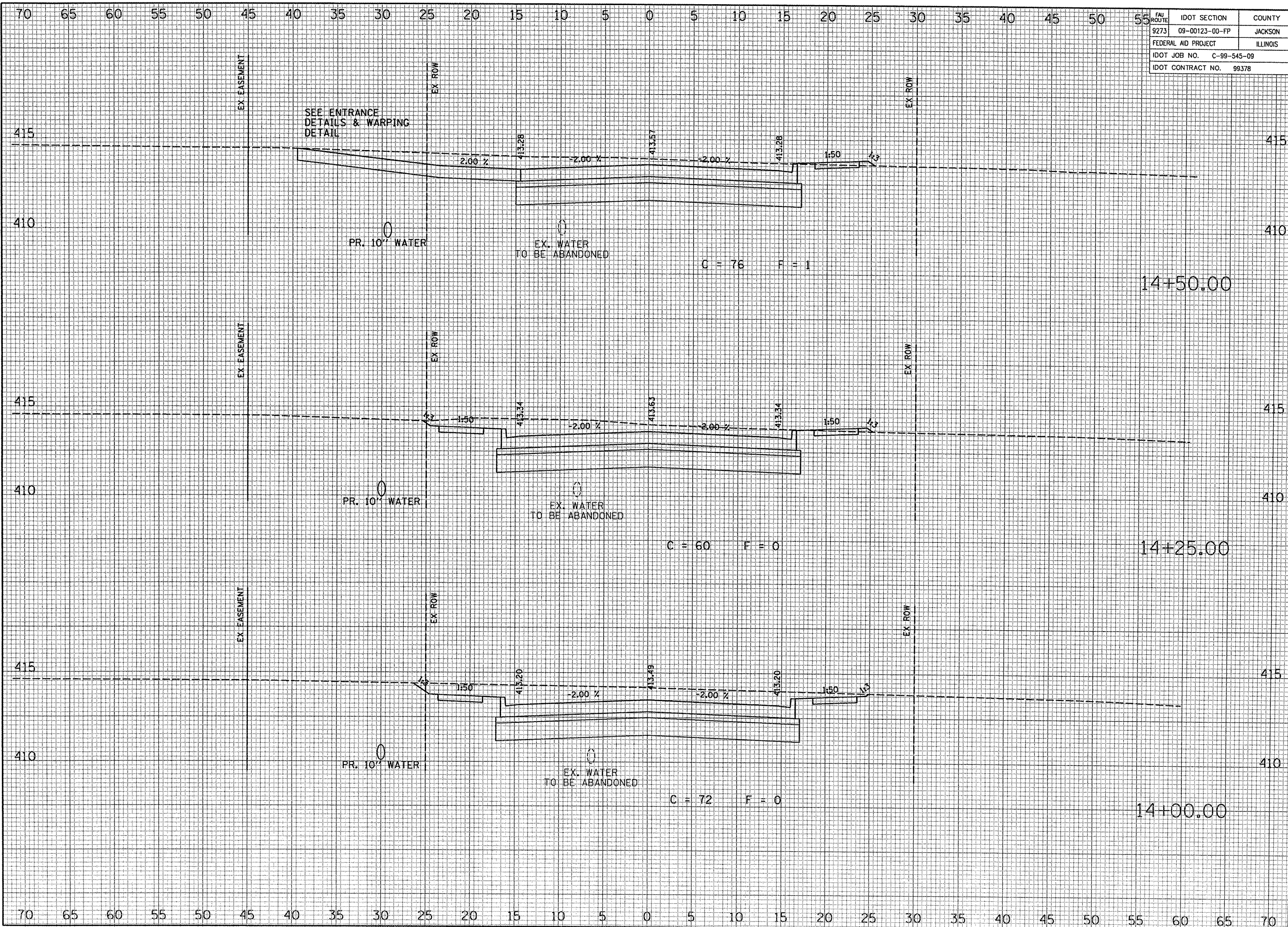
PROFESSIONAL REGISTRATIONS	LICENSE NO.
ILLINOIS PROFESSIONAL DESIGN FIRM	184-001220
PROFESSIONAL ENGINEERING CORP.	62-035370
PROFESSIONAL STRUCTURAL ENGR. CORP.	91-005202
ILLINOIS PROF. LAND SURVEYING CORP.	048-000029
MISSOURI PROFESSIONAL ENGR. CORP.	MC 001528
MISSOURI LAND SURVEYING CORP.	MC 000346

**TITLE**  
SOUTH MARION STREET  
CROSS SECTIONS

**PROJECT:**  
SOUTH MARION STREET  
CITY OF CARBONDALE  
JACKSON COUNTY, ILLINOIS

REV.	DATE	DESCRIPTION
△		
△		
△		

<b>DRAWN BY:</b> MLS	<b>SHEET</b>
<b>DESIGNED BY:</b> MLS	<b>21</b>
<b>CHECKED BY:</b> SJK	<b>OF 24 SHEETS</b>
<b>APPROVED BY:</b> SJK	<b>PROJECT DESCRIPTION</b>
<b>PROJECT NUMBER:</b> T06-090142	MARION ST CONSTRUCTION
<input checked="" type="checkbox"/> ISSUED FOR REVIEW	<input type="checkbox"/> ISSUED FOR BIDDING
<input type="checkbox"/> ISSUED FOR CONSTR.	<input type="checkbox"/> RECORD DRAWING



FAU ROUTE	IDOT SECTION	COUNTY
9273	09-00123-00-FP	JACKSON
FEDERAL AID PROJECT		ILLINOIS
IDOT JOB NO.	C-99-545-09	
IDOT CONTRACT NO.	99378	

**THOUVENOT, WADE & MOERCHEN, INC.**  
 ENGINEERS ♦ SURVEYORS ♦ PLANNERS



- CORPORATE OFFICE**  
 4940 OLD COLLINSVILLE RD.  
 SWANSEA, ILLINOIS 62226  
 TEL (618) 624-4488  
 FAX (618) 624-6688  
 info@twm-inc.com
- CARBONDALE OFFICE**  
 206 WEST COLLEGE ST., SUITE 2  
 CARBONDALE, ILLINOIS 62901  
 TEL (618) 549-8844  
 FAX (618) 549-8450  
 info@twm-inc.com
- EDWARDSVILLE OFFICE**  
 1015B CENTURY DRIVE  
 EDWARDSVILLE, ILLINOIS 62025  
 TEL (618) 656-4040  
 FAX (618) 656-4343  
 info@twm-inc.com
- ST. CHARLES OFFICE**  
 400 NORTH 5th ST., SUITE 101  
 ST. CHARLES, MISSOURI 63301  
 TEL (636) 724-8300  
 FAX (636) 724-8304  
 info@twm-inc.com
- WATERLOO OFFICE**  
 113 SOUTH MAIN STREET  
 WATERLOO, ILLINOIS 62298  
 TEL (618) 939-5050  
 FAX (618) 939-3938  
 info@twm-inc.com

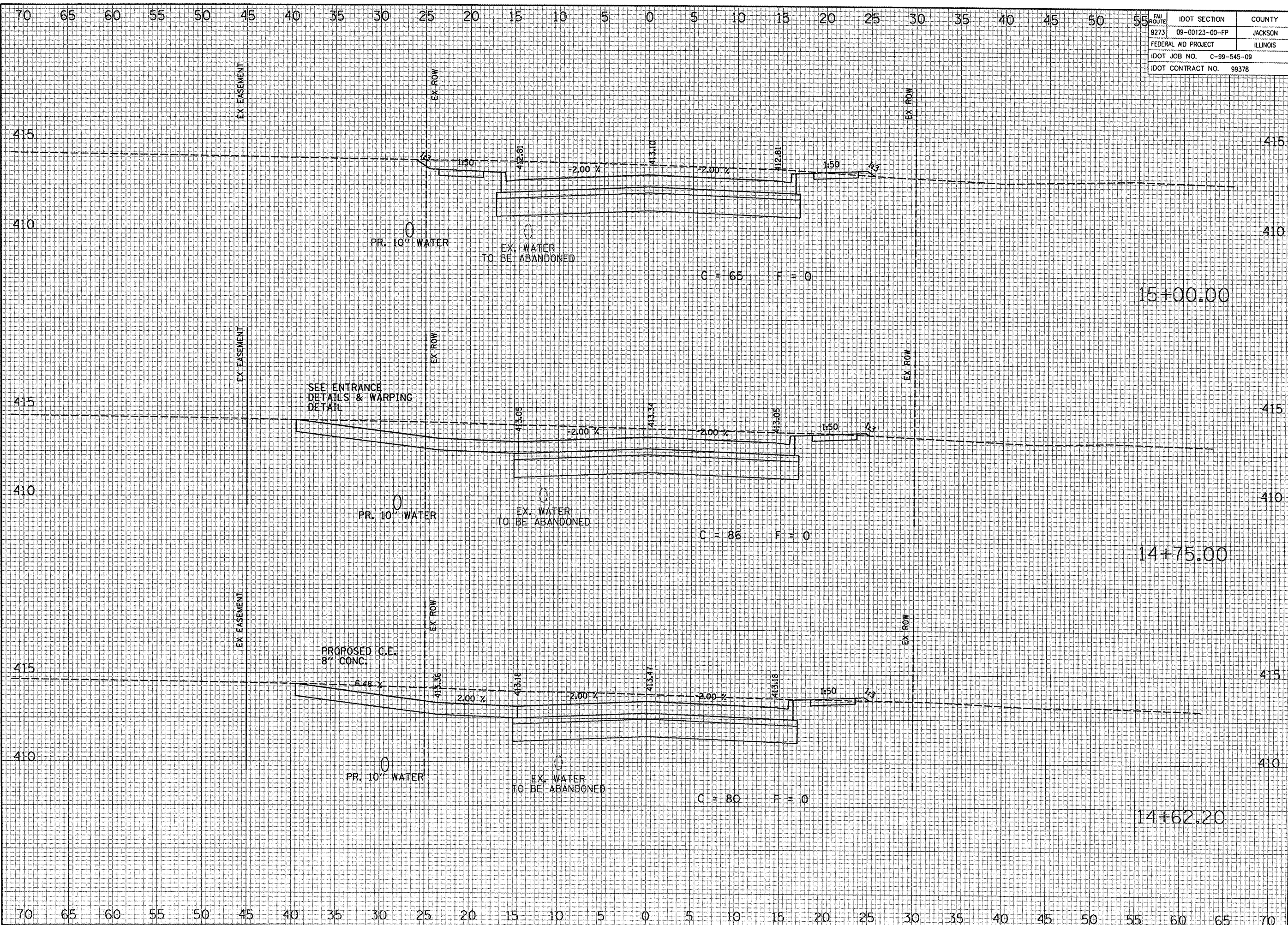
PROFESSIONAL REGISTRATIONS	LICENSE NO.
ILLINOIS PROFESSIONAL DESIGN FIRM	184-001220
PROFESSIONAL ENGINEERING CORP.	62-035370
PROFESSIONAL STRUCTURAL ENGR. CORP.	61-005202
ILLINOIS PROF. LAND SURVEYING CORP.	048-000029
MISSOURI PROFESSIONAL ENGR. CORP.	NC 001528
MISSOURI LAND SURVEYING CORP.	NC 000346

**TITLE**  
 SOUTH MARION STREET  
 CROSS SECTIONS

**PROJECT:**  
 SOUTH MARION STREET  
 CITY OF CARBONDALE  
 JACKSON COUNTY, ILLINOIS

REV.	DATE	DESCRIPTION
△		
△		
△		

<b>DRAWN BY:</b> MLS	<b>SHEET</b>
<b>DESIGNED BY:</b> MLS	<b>22</b>
<b>CHECKED BY:</b> SJK	<b>OF 24 SHEETS</b>
<b>APPROVED BY:</b> SJK	<b>PROJECT DESCRIPTION</b>
<b>PROJECT NUMBER:</b> 06-090142	MARION ST CONSTRUCTION
<input checked="" type="checkbox"/> ISSUED FOR REVIEW	<input type="checkbox"/> ISSUED FOR BIDDING
<input type="checkbox"/> ISSUED FOR CONSTR.	<input type="checkbox"/> RECORD DRAWING



FED. ROUTE	IDOT SECTION	COUNTY
9273	09-00123-00-FP	JACKSON
FEDERAL AID PROJECT		ILLINOIS
IDOT JOB NO. C-99-545-09		
IDOT CONTRACT NO. 99378		

**THOUVENOT, WADE & MOERCHEN, INC.**  
ENGINEERS ♦ SURVEYORS ♦ PLANNERS



- CORPORATE OFFICE**  
4940 OLD COLLINSVILLE RD.  
SWANSEA, ILLINOIS 62226  
TEL (618) 624-4488  
FAX (618) 624-6688  
info@twm-inc.com
- CARBONDALE OFFICE**  
206 WEST COLLEGE ST., SUITE 2  
CARBONDALE, ILLINOIS 62901  
TEL (618) 549-8844  
FAX (618) 549-8450  
info@twm-inc.com
- EDWARDSVILLE OFFICE**  
1015B CENTURY DRIVE  
EDWARDSVILLE, ILLINOIS 62025  
TEL (618) 656-4040  
FAX (618) 656-4343  
info@twm-inc.com
- ST. CHARLES OFFICE**  
400 NORTH 5TH ST., SUITE 101  
ST. CHARLES, MISSOURI 63301  
TEL (636) 724-8300  
FAX (636) 724-8304  
info@twm-inc.com
- WATERLOO OFFICE**  
113 SOUTH MAIN STREET  
WATERLOO, ILLINOIS 62298  
TEL (618) 939-5050  
FAX (618) 939-3938  
info@twm-inc.com

PROFESSIONAL REGISTRATIONS	LICENSE NO.
ILLINOIS PROFESSIONAL DESIGN FIRM	184-001220
PROFESSIONAL ENGINEERING CORP.	62-035370
PROFESSIONAL STRUCTURAL ENGR. CORP.	81-005002
ILLINOIS PROF. LAND SURVEYING CORP.	048-000029
MISSOURI PROFESSIONAL ENGR. CORP.	NC 001528
MISSOURI LAND SURVEYING CORP.	NC 000346

**TITLE**  
SOUTH MARION STREET  
CROSS SECTIONS

**PROJECT:**  
SOUTH MARION STREET  
CITY OF CARBONDALE  
JACKSON COUNTY, ILLINOIS

REV.	DATE	DESCRIPTION
△		
△		
△		

<b>DRAWN BY:</b> MLS	<b>SHEET</b>
<b>DESIGNED BY:</b> MLS	<b>23</b>
<b>CHECKED BY:</b> SJK	<b>OF 24 SHEETS</b>
<b>APPROVED BY:</b> SJK	<b>PROJECT DESCRIPTION</b>
<b>PROJECT NUMBER:</b> 06-090142	MARION ST CONSTRUCTION

ISSUED FOR REVIEW     ISSUED FOR BIDDING  
 ISSUED FOR CONSTR.     RECORD DRAWING

70 65 60 55 50 45 40 35 30 25 20 15 10 5 0 5 10 15 20 25 30 35 40 45 50 55

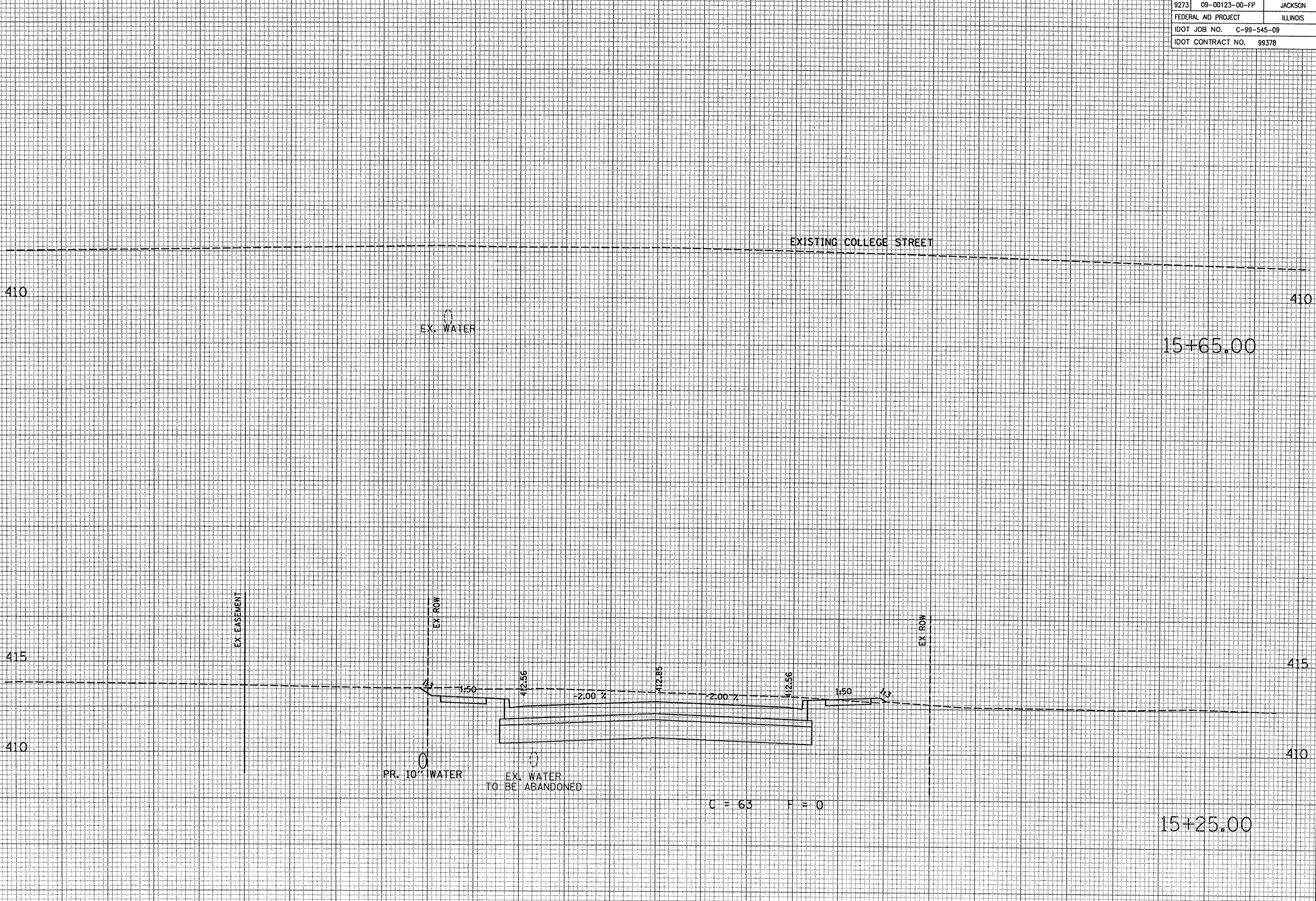
FAH ROUTE	IDOT SECTION	COUNTY
9273	09-00123-00-FP	JACKSON
FEDERAL AID PROJECT		ILLINOIS
IDOT JOB NO.	C-99-545-09	
IDOT CONTRACT NO.	99378	

**THOUVENOT, WADE & MOERCHEN, INC.**  
ENGINEERS ♦ SURVEYORS ♦ PLANNERS



- CORPORATE OFFICE**  
4940 OLD COLLINSVILLE RD.  
SWANSEA, ILLINOIS 62226  
TEL (618) 624-4488  
FAX (618) 624-6688  
info@twm-inc.com
- CARBONDALE OFFICE**  
206 WEST COLLEGE ST., SUITE 2  
CARBONDALE, ILLINOIS 62901  
TEL (618) 549-8844  
FAX (618) 549-8450  
info@twm-inc.com
- EDWARDSVILLE OFFICE**  
1015B CENTURY DRIVE  
EDWARDSVILLE, ILLINOIS 62025  
TEL (618) 656-4040  
FAX (618) 656-4343  
info@twm-inc.com
- ST. CHARLES OFFICE**  
400 NORTH 5th ST., SUITE 101  
ST. CHARLES, MISSOURI 63301  
TEL (636) 724-8300  
FAX (636) 724-8304  
info@twm-inc.com
- WATERLOO OFFICE**  
113 SOUTH MAIN STREET  
WATERLOO, ILLINOIS 62298  
TEL (618) 939-5050  
FAX (618) 939-3938  
info@twm-inc.com

PROFESSIONAL REGISTRATIONS	LICENSE NO.
ILLINOIS PROFESSIONAL DESIGN FIRM	184-001220
PROFESSIONAL ENGINEERING CORP.	62-055370
PROFESSIONAL STRUCTURAL ENGR. CORP.	01-005202
ILLINOIS PROF. LAND SURVEYING CORP.	048-000029
MISSOURI PROFESSIONAL ENGR. CORP.	NC 001528
MISSOURI LAND SURVEYING CORP.	NC 000346



**TITLE:** SOUTH MARION STREET CROSS SECTIONS

**PROJECT:** SOUTH MARION STREET CITY OF CARBONDALE JACKSON COUNTY, ILLINOIS

REV.	DATE	DESCRIPTION
△		
△		
△		

DRAWN BY:	MLS	SHEET
DESIGNED BY:	MLS	<b>24</b>
CHECKED BY:	SJK	OF 24 SHEETS
APPROVED BY:	SJK	PROJECT DESCRIPTION
PROJECT NUMBER:	06-090142	MARION ST CONSTRUCTION

- ISSUED FOR REVIEW
- ISSUED FOR BIDDING
- ISSUED FOR CONSTR.
- RECORD DRAWING

70 65 60 55 50 45 40 35 30 25 20 15 10 5 0 5 10 15 20 25 30 35 40 45 50 55 60 65 70