

STATE OF ILLINOIS  
DEPARTMENT OF TRANSPORTATION  
DIVISION OF HIGHWAYS

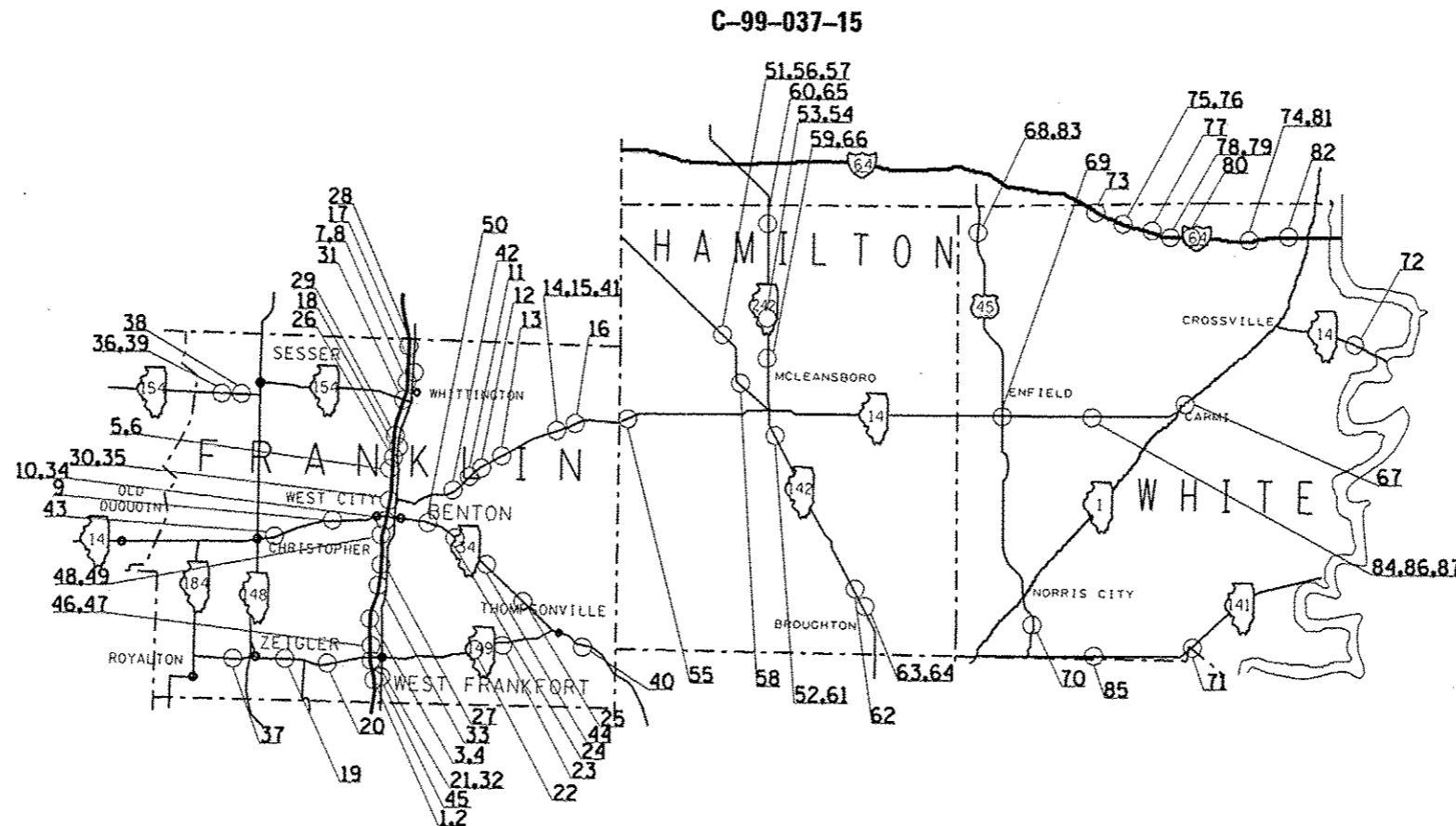
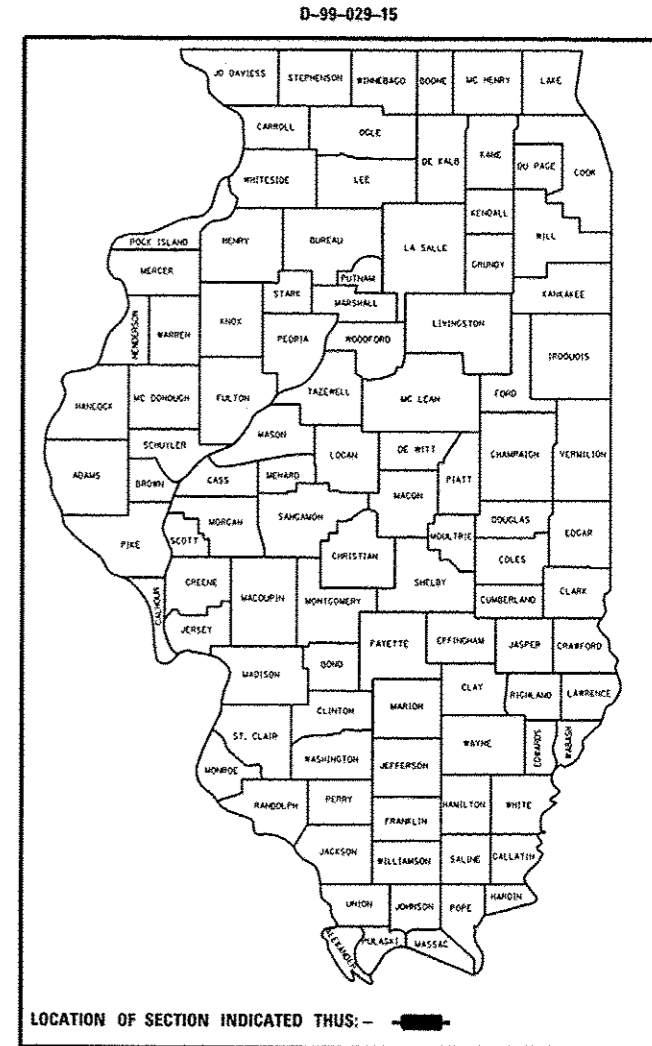
**PROPOSED  
HIGHWAY PLANS**

VARIOUS ROUTES  
D9 DECK SEAL 2016-1  
NON-FEDERAL AID PROJECT  
VARIOUS STRUCTURES  
VARIOUS COUNTIES

F.A. RTE.	SECTION	COUNTY	TOTAL SHEETS	SHEET NO.
VAR.	D9 DECK SEAL 2016-1	VARIOUS	5	1
		ILLINOIS	CONTRACT NO. 78469	

FOR INDEX OF SHEETS, SEE SHEET NO. 2

FOR SUMMARY OF QUANTITIES, SEE SHEET NO. 3



J.U.L.I.E.  
JOINT UTILITY LOCATION INFORMATION FOR EXCAVATION  
1-800-892-0123  
OR 811

PROJECT ENGINEER: DAVID PICHE (618)351-5227

DESIGN ENGINEER: JOHN DAHMER

CONTRACT NO. 78469

STATE OF ILLINOIS  
DEPARTMENT OF TRANSPORTATION  
DIVISION OF HIGHWAYS

SUBMITTED *March 27, 2015*

*Jeffrey L. Keim*  
DEPUTY DIRECTOR OF HIGHWAYS, REGION ENGINEER

*John D. Baranzoli, P.E.*  
acting ENGINEER OF DESIGN AND ENVIRONMENT

*June 26, 2015*

*Omur Osman, P.E.*  
DIRECTOR OF HIGHWAYS, CHIEF ENGINEER

**PRINTED BY THE AUTHORITY  
OF THE STATE OF ILLINOIS**

**GENERAL NOTES**

COMMITMENTS: NONE AS OF MAY 8, 2015

**INDEX OF SHEETS**

- 1 COVER SHEET
- 2 INDEX OF SHEETS, GENERAL NOTES, STANDARDS
- 3 SUMMARY OF QUANTITIES
- 4-5 SCHEDULES

**STANDARDS**

- 000001-06 STANDARD SYMBOLS, ABBREVIATIONS AND PATTERNS
- 701001-02 OFF-ROAD OPERATIONS, 2L, 2W, MORE THAN 15' AWAY
- 701006-05 OFF-ROAD OPERATIONS, 2L, 2W, 15' TO 24" FROM PAVEMENT EDGE
- 701011-04 OFF-ROAD MOVING OPERATIONS, 2L, 2W, DAY ONLY
- 701101-04 OFF-ROAD OPERATIONS, MULTILANE, 15' TO 24" FROM PAVEMENT EDGE
- 701106-02 OFF-ROAD OPERATIONS, MULTILANE, MORE THAN 15' AWAY
- 701201-04 LANE CLOSURE, 2L, 2W, DAY ONLY, FOR SPEEDS  $\geq$  45 MPH
- 701400-08 APPROACH TO LANE CLOSURE, FREEWAY/EXPRESSWAY
- 701406-09 LANE CLOSURE, FREEWAY/EXPRESSWAY, DAY OPERATIONS ONLY
- 701421-07 LANE CLOSURE, MULTILANE, DAY OPERATIONS ONLY, FOR SPEEDS  $\geq$  45 MPH TO 55 MPH
- 701901-04 TRAFFIC CONTROL DEVICES

Prepared By: *[Signature]*  
DISTRICT STUDIES & PLANS ENGINEER

Examined By: *[Signature]*  
DISTRICT LAND ACQUISITION ENGINEER

Examined By: *[Signature]*  
DISTRICT PROGRAM DEVELOPMENT ENGINEER

Examined By: *[Signature]*  
DISTRICT OPERATIONS ENGINEER

Examined By: *[Signature]*  
DISTRICT PROJECT IMPLEMENTATION ENGINEER

Examined By: \_\_\_\_\_  
DISTRICT CONSTRUCTION ENGINEER

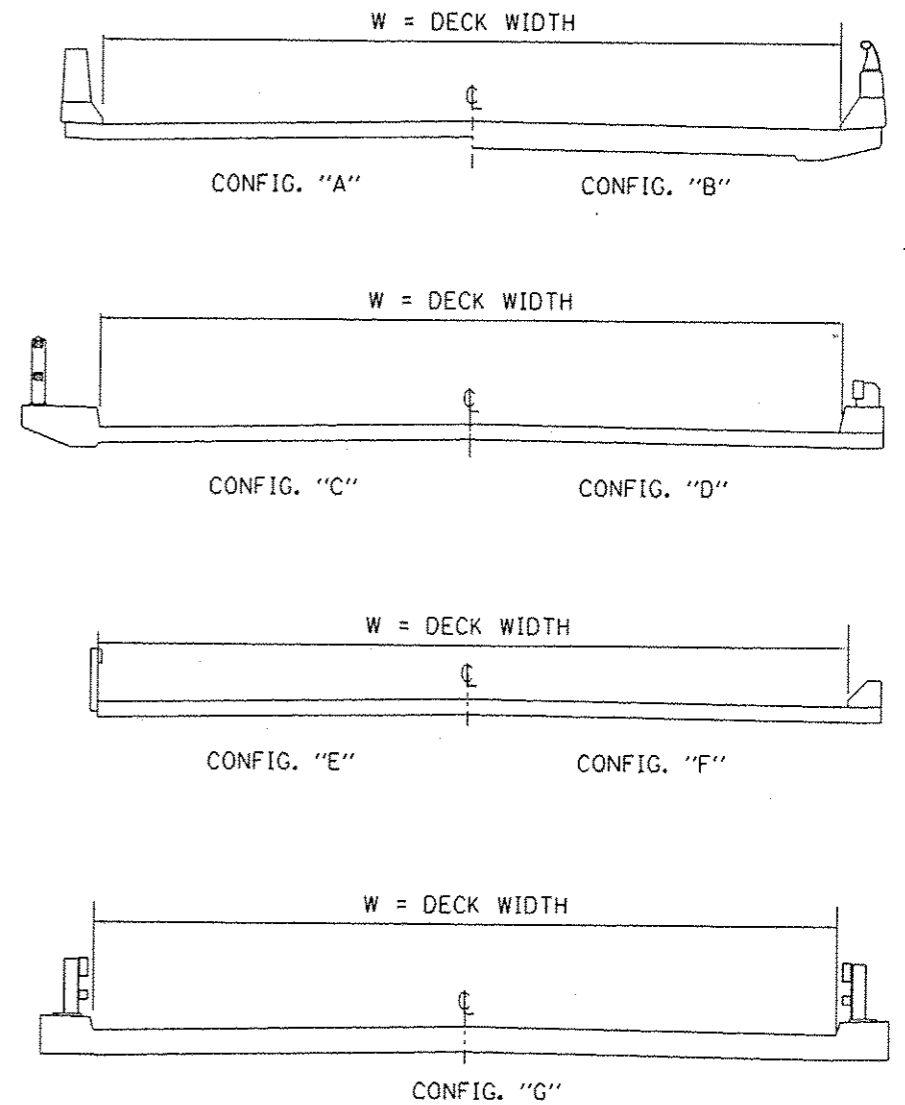
Examined By: \_\_\_\_\_  
DISTRICT MATERIALS ENGINEER

FILE NAME *	USER NAME * Dahmer,ja	DESIGNED - _____	REVISED - _____	<b>STATE OF ILLINOIS DEPARTMENT OF TRANSPORTATION</b>	<b>SIGNATURES, GENERAL NOTES, INDEX OF SHEETS, STANDARDS &amp; SUMMARY OF QUANTITIES</b>				F.A. RTE.	SECTION	COUNTY	TOTAL SHEETS	SHEET NO.
c:\pe_work\pwr\dot\dahmer\ja\0431270\7849-shr-plan.dgn	PLOT SCALE * 100.0000' / in.	DRAWN - _____	REVISED - _____		SCALE: _____	SHEET _____ OF _____ SHEETS	STA. _____ TO STA. _____	VAR.	D9 DECK SEAL 2016-1	VARIOUS	5	2	
#MODELNAME#	PLOT DATE * 3/27/2015	CHECKED - _____	REVISED - _____						ILLINOIS FED. AID PROJECT CONTRACT NO. 78469				

**SUMMARY OF QUANTITIES**

CODE NO.	ITEM DESCRIPTION	CONSTRUCTION TYPE CODE - 0014	
		UNIT	TOTAL QUANTITY
67100100	MOBILIZATION	L SUM	1
70100310	TRAFFIC CONTROL AND PROTECTION, STANDARD 701421	L SUM	1
70100450	TRAFFIC CONTROL AND PROTECTION, STANDARD 701201	L SUM	1
70100700	TRAFFIC CONTROL AND PROTECTION, STANDARD 701406	L SUM	1
X5870015	BRIDGE DECK CONCRETE SEALER	50 FT	631904
X7010410	SPEED DISPLAY TRAILER	CAL MO	4

**PARAPET/SAFTEY WALK CONFIGURATIONS**  
(NOT TO SCALE)



**BRIDGE DECK SEALING SCHEDULE - FRANKLIN COUNTY**

FRANKLIN				DIMENSIONS		DECK AREA	MISC. AREA PARAPET/SAFETYWALK		DECK SEAL
	STRUCTURE NUMBER	ROUTE	FEATURE CROSSED	WIDTH (FT)	LENGTH (FT)	SQ FT	CONFIG.	SQ FT	SQ FT
1	028-0001	I-57 NB	POND CREEK	40.7	132.2	5380.5	A	991.5	6372.0
2	028-0002	I-57 SB	POND CREEK	40.5	132.2	5354.1	A	991.5	6345.6
3	028-0006	I-57 NB	M. FORK BIG MUDDY RIVER	39.5	367.5	14516.3	A	2756.3	17272.5
4	028-0007	I-57 SB	M. FORK BIG MUDDY RIVER	39.5	367.5	14516.3	A	2756.3	17272.5
5	028-0011	I-57 SB	MARCUM BRANCH	40.0	127.5	5100.0	A	956.3	6056.3
6	028-0012	I-57 NB	MARCUM BRANCH	40.1	127.5	5112.8	A	956.3	6069.0
7	028-0013	I-57 NB	GUN CREEK	40.1	163.0	6536.3	A	1222.5	7758.8
8	028-0014	I-57 SB	GUN CREEK	40.0	163.0	6520.0	A	1222.5	7742.5
9	028-0020	ILL 14	BIG MUDDY RIVER	42.5	350.6	14900.5	B	2384.1	17284.6
10	028-0022	ILL 14	I-57	79.5	218.7	17386.7	A	1640.3	19026.9
11	028-0024	ILL 14	JORDAN CREEK	36.8	43.6	1604.5	D	218.0	1822.5
12	028-0025	ILL 14	STREAM E. OF BENTON	30.5	30.8	939.4	F	104.7	1044.1
13	028-0026	ILL 14	STREAM E. OF BENTON	37.0	32.5	1202.5	D	162.5	1365.0
14	028-0028	ILL 14	STREAM W. HAMILTON CO.	37.0	42.8	1583.6	D	214.0	1797.6
15	028-0029	ILL 14	SUGAR CAMP CREEK	37.0	66.0	2442.0	D	330.0	2772.0
16	028-0030	ILL 14	STREAM W. HAMILTON CO.	37.1	42.2	1565.6	D	211.0	1776.6
17	028-0032	ILL 37	GUN CREEK	36.0	200.2	7207.2	A	1501.5	8708.7
18	028-0033	ILL 37	STREAM S. WHITTINGTON	36.9	33.0	1217.7	C	247.5	1465.2
19	028-0037	ILL 149	BIG MUDDY RIVER	32.0	452.8	14489.6	A	377.3	14866.9
20	028-0038	ILL 149	B & N RR	32.1	136.9	4394.5	A	1026.8	5421.2
21	028-0039	ILL 149	I-57	77.0	210.3	16193.1	A	1577.3	17770.4
22	028-0040	ILL 149	TILLEY CREEK	32.8	43.0	1410.4	E	0.0	1410.4
23	028-0041	ILL 149	STEVENS CREEK	32.0	92.0	2944.0	A	690.0	3634.0
24	028-0043	ILL 34	M. FORK BIG MUDDY RIVER	35.5	149.9	5321.5	A	1124.3	6445.7
25	028-0047	ILL 34	EWING CREEK	33.0	79.2	2613.6	E	0.0	2613.6
26	028-0053	MARCUM BRANCH ROAD	I-57	24.2	222.5	5384.5	C	1668.8	7053.3
27	028-0054	TR. 241	I-57	24.2	209.8	5077.2	C	1573.5	6650.7
28	028-0055	TR. 3	I-57	28.1	222.8	6260.7	C	1671.0	7931.7
29	028-0056	TR. 75	I-57	24.1	228.8	5514.1	C	1716.0	7230.1
30	028-0057	PETROFF ROAD	I-57	26.2	221.5	5803.3	C	1661.3	7464.6
31	028-0059	ILL 154	I-57	34.0	224.2	7622.8	A	1681.5	9304.3
32	028-0061	NORTH ROAD-W. FRANKFORT	I-57	24.2	203.7	4929.5	C	1527.8	6457.3
33	028-0062	YELLOW BANKS ROAD	I-57	26.2	208.5	5462.7	C	1563.8	7026.5
34	028-0063	WEBSTER ST. -WEST CITY	I-57	26.4	285.0	7524.0	G	3277.5	10801.5
35	028-0064	DUQUOIN ST. -BENTON	I-57	26.1	295.2	7704.7	C	2214.0	9918.7
36	028-0068	ILL 154	LITTLE MUDDY RIVER	32.0	120.0	3840.0	A	900.0	4740.0
37	028-0070	ILL 149	PRAIRIE CREEK	35.4	105.3	3727.6	A	789.8	4517.4
38	028-0071	ILL 154	LITTLE INDIAN CREEK	32.0	77.0	2464.0	A	577.5	3041.5
39	028-0072	ILL 154	LITTLE MUDDY OVERFLOW	32.0	73.0	2336.0	A	547.5	2883.5
40	028-0073	ILL 34	CN/ICRR	36.0	213.0	7668.0	A	1597.5	9265.5
41	028-0074	ILL 14	STREAM E. OF BENTON	36.0	68.0	2448.0	A	510.0	2958.0
42	028-0075	ILL 14	DRUMMOND BRANCH	36.5	58.5	2135.3	A	438.8	2574.0
43	028-0076	ILL 14	ANDY CREEK	40.0	87.0	3480.0	A	652.5	4132.5
44	028-0077	ILL 34	ICG RR	36.8	150.0	5520.0	A	1125.0	6645.0
45	028-0078	ILL 37	POND CREEK	40.0	160.5	6420.0	A	1203.8	7623.8
46	028-0079	I-57 NB	7TH STREET	59.5	184.5	10977.8	A	2970.5	13948.2
47	028-0080	I-57 SB	7TH STREET	59.5	184.5	10977.8	A	2970.5	13948.2
48	028-0081	I-57 SB	MP RR	59.5	234.5	13952.8	A	3775.5	17728.2
49	028-0082	I-57 NB	MP RR	59.5	234.5	13952.8	A	3775.5	17728.2
50	028-0084	ILL 34	STREAM E. OF BENTON	37.0	73.0	2701.0	A	547.5	3248.5
<b>FRANKLIN COUNTY TOTALS</b>									<b>378935.5</b>

## BRIDGE DECK SEALING SCHEDULE - HAMILTON COUNTY

HAMILTON				DIMENSIONS		DECK AREA	MISC. AREA PARAPET/SAFETYWALK		DECK SEAL
	STRUCTURE NUMBER	ROUTE	FEATURED CROSSED	WIDTH (FT)	LENGTH (FT)	SQ FT	CONFIG.	SQ FT	SQ FT
51	033-0012	ILL 142	MIDDLE CREEK	31.9	85.3	2721.1	A	639.8	3360.8
52	033-0016	ILL 142	BEAR CREEK	33.0	78.5	2590.5	E	0.0	2590.5
53	033-0024	FAS 882	STREAM	29.8	45.0	1341.0	F	153.0	1494.0
54	033-0031	TR. 107	BIG CREEK	23.8	47.0	1118.6	F	159.8	1278.4
55	033-0038	ILL 14	SULLIVAN BRANCH	32.0	159.0	5088.0	A	1192.5	6280.5
56	033-0041	ILL 142	BLUE CREEK	31.9	52.5	1674.8	A	393.8	2068.5
57	033-0043	ILL 142	BIG CREEK	31.9	93.8	2992.2	A	703.5	3695.7
58	033-0044	ILL 142	OPOSSUM CREEK	32.0	85.0	2720.0	A	637.5	3357.5
59	033-0045	ILL 242	BIG CREEK	32.0	138.0	4416.0	A	1035.0	5451.0
60	033-0046	ILL 242	AUXIER CREEK	31.5	150.0	4725.0	A	1125.0	5850.0
61	033-0047	ILL 142	TEN MILE CREEK	31.6	126.2	3987.9	A	946.5	4934.4
62	033-0050	ILL 142	CONTRARY CREEK	32.0	125.5	4016.0	A	941.3	4957.3
63	033-0051	ILL 142	TRIB. TO CONTRARY CREEK	32.0	137.0	4384.0	A	1027.5	5411.5
64	033-0052	ILL 142	TRIB. TO CONTRARY CREEK	32.0	137.0	4384.0	A	1027.5	5411.5
65	033-0053	ILL 242	SHELTON CREEK	32.0	118.0	3776.0	A	885.0	4661.0
66	033-0054	ILL 242	BIG CREEK	32.0	78.0	2496.0	A	585.0	3081.0
HAMILTON COUNTY TOTALS									63883.6

## BRIDGE DECK SEALING SCHEDULE - WHITE COUNTY

WHITE				DIMENSIONS		DECK AREA	MISC. AREA PARAPET/SAFETYWALK		DECK SEAL
	STRUCTURE NUMBER	ROUTE	FEATURE CROSSED	WIDTH (FT)	LENGTH (FT)	SQ FT	CONFIG.	SQ FT	SQ FT
67	097-0008	ILL 1	LITTLE WABASH RIVER	39.4	492.0	19384.8	G	5658.0	25042.8
68	097-0019	US 45	STREAM	32.9	88.0	2895.2	E	0.0	2895.2
69	097-0024	US 45	L & N RR	32.0	116.0	3712.0	A	870.0	4582.0
70	097-0026	ILL 1	INDIAN CREEK	33.0	49.3	1626.9	E	0.0	1626.9
71	097-0030	ILL 141	LITTLE WABASH RIVER	28.2	563.0	15876.6	A	4222.5	20099.1
72	097-0032	ILL 14	FOX RIVER SLOUGH	32.0	284.0	9088.0	F	965.6	10053.6
73	097-0040	I-64 EB	POND CREEK	38.5	142.0	5467.0	B	965.6	6432.6
74	097-0041	TR-282	I-64	26.6	234.0	6224.4	B	1591.2	7815.6
75	097-0042	I-64 EB	TRIB RANDOLPH DITCH	39.6	34.0	1346.4	D	170.0	1516.4
76	097-0043	I-64 WB	TRIB RANDOLPH DITCH	39.7	34.0	1349.8	D	170.0	1519.8
77	097-0045	TR-214	I-64	26.5	251.0	6651.5	B	1706.8	8358.3
78	097-0046	I-64 EB	RANDOLPH DR DITCH	38.6	110.0	4246.0	D	550.0	4796.0
79	097-0047	I-64 WB	RANDOLPH DR DITCH	38.6	110.0	4246.0	D	550.0	4796.0
80	097-0048	TR-254	I-64	26.5	234.0	6201.0	B	1591.2	7792.2
81	097-0049	COUNTY ROAD 1625E	I-64	26.5	234.0	6201.0	A	1755.0	7956.0
82	097-0050	TR-394	I-64	26.5	235.0	6227.5	B	1598.0	7825.5
83	097-0062	US 45	SKILLET FORK CREEK	32.4	967.0	31330.8	A	7252.5	38583.3
84	097-0066	ILL 14	STREAM	32.0	114.0	3648.0	A	855.0	4503.0
85	097-0067	ILL 141	TRIB CANE CREEK	32.0	110.0	3520.0	A	825.0	4345.0
86	097-0068	ILL 14	SEVEN MILE	32.0	63.5	2032.0	A	476.3	2508.3
87	097-0071	ILL 14	FOX RIVER	32.0	406.0	12992.0	A	3045.0	16037.0
WHITE COUNTY TOTALS									189084.6