

**STATE OF ILLINOIS**  
**DEPARTMENT OF TRANSPORTATION**  
**DIVISION OF HIGHWAYS**  
**PROPOSED**  
**HIGHWAY PLANS**

F.A. RTE.	SECTION	COUNTY	TOTAL SHEETS	SHEET NO.
*	D9 CM PATCH 2016-5	UNION	7	1
ILLINOIS CONTRACT NO. 78472				
* FAP 885 / FAS 1911 / FAU 9909				

FOR INDEX OF SHEETS, SEE SHEET NO. 3  
 FOR SUMMARY OF QUANTITIES, SEE SHEET NO. 4

**TRAFFIC DATA**

**LOCATION 1**  
 IL 146 TRAFFIC DATA  
 2013 ADT = 11,700 WITH 9.8% TRUCKS

**LOCATION 2**  
 OLD US 51 TRAFFIC DATA  
 2010 ADT = 4,800

**TOWNSHIPS**

JONESBORO  
 ANNA  
 COBDEN

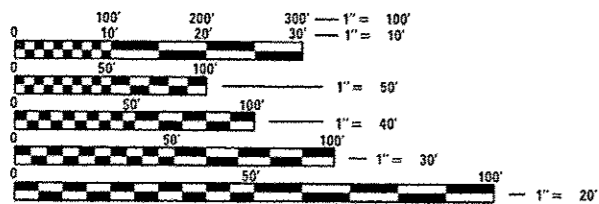
**LOCATION 1:**  
 START STA. 43+00 (EAST OF JONESBORO SQUARE)  
 STA. EQUATION 0+00 BK=100+00 AH  
 END STA. 116+05 (AT JEFFERSON ST. IN ANNA)

**LOCATION 2:**  
 START STA. 850+00 (SOUTH OF COBDEN)  
 END STA. 1073+75 (IN ANNA AT INTERSECTION OF IL146)

**FAP ROUTE 885 (IL146)**  
**FAS 1911 / FAU 9909 (OLD US 51)**  
**SECTION D9 CM PATCH 2016-5**

**PATCHING**  
**UNION COUNTY**

C-99-040-15

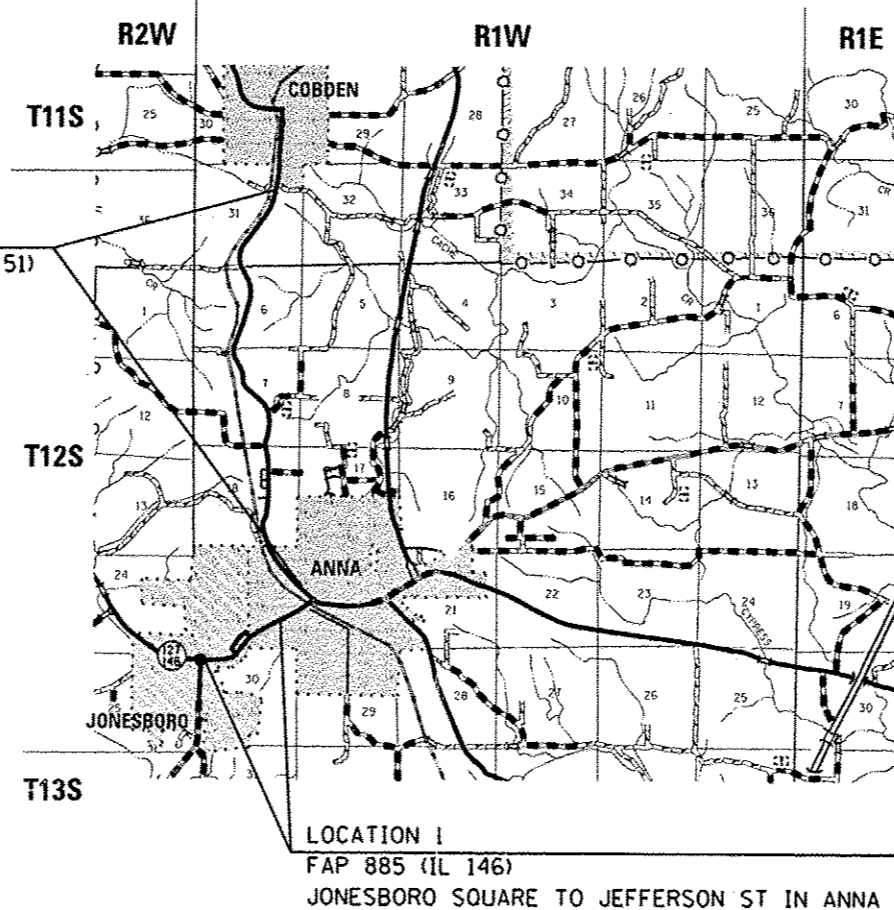


FULL SIZE PLANS HAVE BEEN PREPARED USING STANDARD ENGINEERING SCALES. REDUCED SIZED PLANS WILL NOT CONFORM TO STANDARD SCALES. IN MAKING MEASUREMENTS ON REDUCED PLANS, THE ABOVE SCALES MAY BE USED.

J.U.L.I.E.  
 JOINT UTILITY LOCATION INFORMATION FOR EXCAVATION  
 1-800-892-0123  
 OR 811

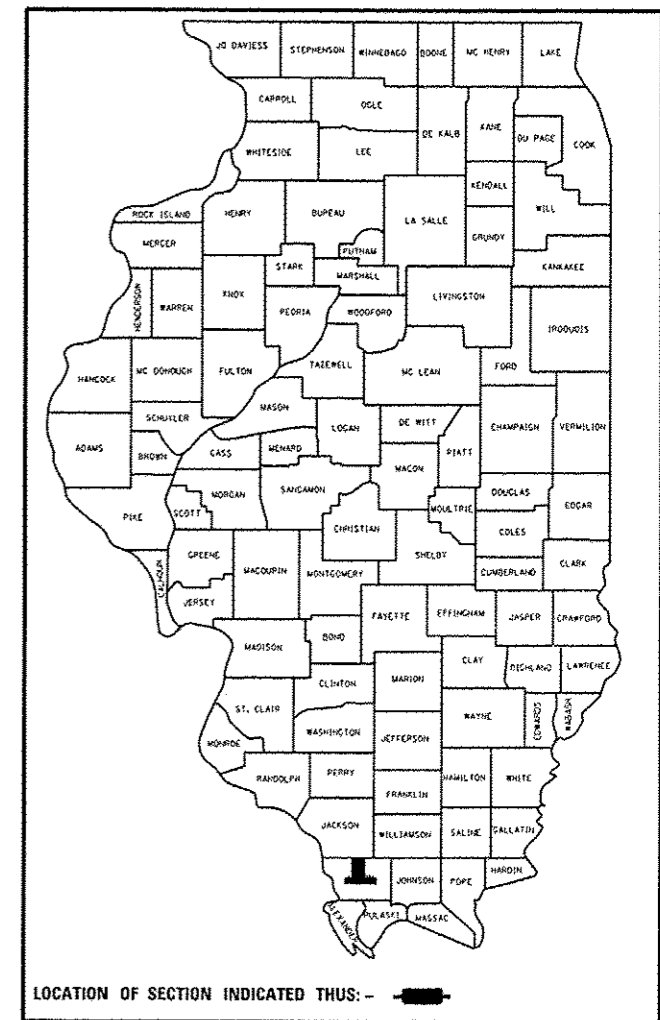
**PROJECT ENGINEER SUSAN POE**  
**DESIGN ENGINEER JAY KRANZ**

**CONTRACT NO. 78472**



**LOCATION 1**  
 FAP 885 (IL 146)  
 JONESBORO SQUARE TO JEFFERSON ST IN ANNA

GROSS LENGTH = 28,280.0 FT. = 5.36 MILE  
 NET LENGTH = 28,280.0 FT. = 5.36 MILE



LOCATION OF SECTION INDICATED THUS: - [black rectangle symbol]

STATE OF ILLINOIS  
 DEPARTMENT OF TRANSPORTATION  
 DIVISION OF HIGHWAYS

SUBMITTED May 8 2015  
John A. Keiss  
 DEPUTY DIRECTOR OF HIGHWAYS, REGION ENGINEER

June 26 2015  
John D. Baranzelli P.E. /a  
 acting ENGINEER OF DESIGN AND ENVIRONMENT

June 26 2015  
Omer Osman P.E. /a  
 DIRECTOR OF HIGHWAYS, CHIEF ENGINEER

**PRINTED BY THE AUTHORITY**  
**OF THE STATE OF ILLINOIS**

Prepared By: *Joe Blankiewicz*  
DISTRICT STUDIES & PLANS ENGINEER

Examined By: *Paul E.*  
DISTRICT LAND ACQUISITION ENGINEER

Examined By: *Carrie Nelson*  
DISTRICT PROGRAM DEVELOPMENT ENGINEER

Examined By: *Keel Nohy*  
DISTRICT OPERATIONS ENGINEER

Examined By: *K.A.*  
DISTRICT PROJECT IMPLEMENTATION ENGINEER

Examined By: *Douglas J. ...*  
DISTRICT CONSTRUCTION ENGINEER

Examined By: \_\_\_\_\_  
DISTRICT MATERIALS ENGINEER

• FAP 885 / FAS 1911 / FAU 9909

FILE NAME *	USER NAME * kranzjo	DESIGNED -	REVISED -
\\L084EBID\INTEG\Illinois.gov\PI\DOT\Documents\DOT_Offices\District 9\Projects\Con	BRAWN	2016\78472\CADData\CADsheets	REVISED plan.dgn
*MODELNAME*	PLOT SCALE * 100.0000 / 1"	CHECKED -	REVISED -
	PLOT DATE * 5/6/2015	DATE -	REVISED -

STATE OF ILLINOIS  
DEPARTMENT OF TRANSPORTATION

SIGNATURE SHEET

SCALE:	SHEET	OF	SHEETS	STA.	TO	STA.
--------	-------	----	--------	------	----	------

F.A. RTE.	SECTION	COUNTY	TOTAL SHEETS	SHEET NO.
*	D9 CM PATCH 2016-5 <td>UNION <td>7</td> <td>2</td> </td>	UNION <td>7</td> <td>2</td>	7	2
CONTRACT NO. 78472				
ILLINOIS FED. AID PROJECT				

# INDEX OF SHEETS

SHEET NO.	DESCRIPTION
1	COVER SHEET
2	SIGNATURE SHEET
3	INDEX OF SHEETS, STANDARDS, GENERAL NOTES
4	SUMMARY OF QUANTITIES
5	SURFACE REMOVAL AND RESURFACING SCHEDULE
6	PATCHING SURVEY SUMMARY
7	DETAIL: SURFACE REMOVAL AND RESURFACING

# GENERAL NOTES

FACTORS USED FOR ESTIMATING PLAN QUANTITIES ARE AS FOLLOWS AND SHALL NOT BE USED FOR THE BASIS OF FINAL QUANTITIES:

ALL HOT- MIX ASPHALT	2.016 TONS/CU. YD.
ALL AGGREGATE	2.05 TONS/CU. YD.
BITUMINOUS MATERIALS:	
ON PAVEMENT	0.05 LB/SQ. FT.
ON AGGREGATE SURFACE	0.25 LB./SQ. FT.
AGGREGATE (PRIME COAT)	0.0015 TONS/SQ. YD.
RIPRAP	1.50 TONS/CU. YD.

THE ALGEBRAIC DIFFERENCE BETWEEN THE PAVEMENT AND SHOULDER SLOPES SHALL NOT EXCEED 8%. THE SHOULDER ON THE OUTSIDE OF SUPERELEVATED CURVES SHALL BE FLATTENED ACCORDINGLY.

STATIONING SHOWN IN THE SCHEDULES IS BASED ON STAMPED STATIONS IN THE EXISTING PAVEMENT AND FROM OLD PLANS. MINOR ADJUSTMENTS MAY BE REQUIRED AS DIRECTED BY THE ENGINEER.

QUANTITIES SHOWN IN THE PLANS FOR PATCHING ARE ESTIMATES. THE ACTUAL AMOUNT OF PATCHING REQUIRED SHALL BE DETERMINED BY THE ENGINEER. PATCHING SURVEY DATE: APRIL 2015.

THERE ARE NO AVAILABLE WASTE SITES ON THE EXISTING RIGHT OF WAY WITHIN THE PROJECT LIMITS. DISPOSAL WILL BE THE RESPONSIBILITY OF THE CONTRACTOR AND WASTE MUST BE DISPOSED OF IN ACCORDANCE WITH ARTICLE 202.03 OF THE STANDARD SPECIFICATIONS

REMOVAL AND DISPOSAL OF UNSUITABLE MATERIALS, CUYD AND SUBBASE GRANULAR MATERIAL, TYPE A, CUYD IS PROPOSED TO BE USED AT LOCATION 1. THE ACTUAL LOCATION AND QUANTITY SHALL BE DETERMINED BY THE ENGINEER.

# STANDARDS

000001-06	STANDARD SYMBOLS, ABBREVIATIONS, AND PATTERNS
001006	DECIMAL OF AN INCH AND OF A FOOT
442201-03	CLASS C AND D PATCHES
701001-02	OFF-ROAD OPERATIONS, 2L, 2W, MORE THAN 15' AWAY
701006-05	OFF-ROAD OPERATIONS, 2L, 2W, 15' TO 24" FROM PAVEMENT EDGE
701301-04	LANE CLOSURE, 2L, 2W, SHORT TIME OPERATIONS
701336-06	LANE CLOSURE, 2L, 2W, WORK AREAS IN SERIES, FOR SPEEDS > 45MPH
701901-04	TRAFFIC CONTROL DEVICES

# MIXTURE REQUIREMENTS

LOCATION(S):	Hot-Mix Asphalt Binder Course
MIXTURE USE(S):	Hot-Mix Asphalt Binder Course, N70, IL-19.0mm
AC/PG:	PG64-22
ABR% (MAX):	See Special Provision
DESIGN AIR VOIDS:	4.0%, 70 Gyration Design
MIXTURE COMPOSITION: (GRADATION MIXTURE)	IL-19.0mm
FRICTION AGGREGATE:	None
QUALITY MANAGEMENT PROGRAM:	OQOA

# SUMMARY OF QUANTITIES

COUNTY:	UNION	
ROUTE:	FAP885 ( IL146)	FAS1911/FAU9909 OLD US 51
FUNDING:	100% STATE	
LOCATION:	LOCATION 1 RURAL	LOCATION 2 URBAN

CODE NUMBER	ITEM DESCRIPTION	UNIT	TOTAL QUANTITY	ROADWAY	
				0005	0005
				0005	0005
20201200	REMOVAL AND DISPOSAL OF UNSUITABLE MATERIAL	CU YD	50	50	0
31100200	SUBBASE GRANULAR MATERIAL, TYPE A	CU YD	50	50	0
40600275	BITUMINOUS MATERIALS (PRIME COAT)	POUND	1,291	0	1,291
40603085	HOT-MIX ASPHALT BINDER COURSE, IL-19.0, N70	TON	643	0	643
44000165	HOT-MIX ASPHALT SURFACE REMOVAL, 4"	SO YD	2,867	0	2,867
44201361	CLASS C PATCHES, TYPE I, 11 INCH	SO YD	416	66	350
44201365	CLASS C PATCHES, TYPE II, 11 INCH	SO YD	1,294	633	661
44201369	CLASS C PATCHES, TYPE III, 11 INCH	SO YD	181	142	39
44201371	CLASS C PATCHES, TYPE IV, 11 INCH	SO YD	682	653	29
67100100	MOBILIZATION	L SUM	1	0.5	0.5
70100600	TRAFFIC CONTROL AND PROTECTION, STANDARD 701336	L SUM	1	0.5	0.5
70105800	CHANGEABLE MESSAGE SIGN	CAL MO	4	2	2

# SURFACE REMOVAL AND SURFACING SURVEY SCHEDULE

LOCATION:	FOR INFORMATION ONLY	HMA SURFACE REMOVAL, 4"	HMA BINDER COURSE, IL-19.0, N70	BITUMINOUS MATERIALS (PRIME COAT)
	FOOT	SQ YD	TON	LB
<b>LOCATION 2: OLD US 51</b>				
<b>COBDEN TO ANNA</b>				
SOUTH BOUND LANE				
0.0 MILE      MAPLE ST    COBDEN	180.0	60.0	13.4	27.0
0.3 MILE	380.0	126.7	28.4	57.0
0.5 MILE	200.0	66.7	14.9	30.0
1.0 MILE	225.0	75.0	16.8	33.8
1.2 MILE	500.0	166.7	37.3	75.0
1.4 MILE	60.0	20.0	4.5	9.0
1.7 MILE	240.0	80.0	17.9	36.0
2.6 MILE	100.0	33.3	7.5	15.0
2.7 MILE	120.0	40.0	9.0	18.0
3.3 MILE	230.0	76.7	17.2	34.5
3.4 MILE	300.0	100.0	22.4	45.0
3.6 MILE	170.0	56.7	12.7	25.5
3.8 MILE	600.0	200.0	44.8	90.0
3.9 MILE	650.0	216.7	48.5	97.5
4.1 MILE	100.0	33.3	7.5	15.0
4.1 MILE	50.0	16.7	3.7	7.5
4.2 MILE	100.0	33.3	7.5	15.0
4.8 MILE      GEORGE ST    ANNA	230.0	76.7	17.2	34.5
NORTH BOUND LANE				
0.2 MILE      KIRK ST      ANNA	70.0	23.3	5.2	10.5
0.2 MILE	120.0	40.0	9.0	18.0
0.3 MILE	75.0	25.0	5.6	11.3
0.5 MILE	90.0	30.0	6.7	13.5
0.5 MILE	100.0	33.3	7.5	15.0
0.6 MILE	100.0	33.3	7.5	15.0
0.7 MILE	60.0	20.0	4.5	9.0
0.8 MILE	580.0	193.3	43.3	87.0
0.9 MILE	90.0	30.0	6.7	13.5
1.0 MILE	150.0	50.0	11.2	22.5
1.1 MILE	100.0	33.3	7.5	15.0
1.4 MILE	80.0	26.7	6.0	12.0
1.6 MILE	300.0	100.0	22.4	45.0
1.9 MILE	250.0	83.3	18.7	37.5
2.0 MILE	260.0	86.7	19.4	39.0
2.1 MILE	200.0	66.7	14.9	30.0
3.6 MILE	300.0	100.0	22.4	45.0
3.8 MILE	200.0	66.7	14.9	30.0
3.9 MILE	200.0	66.7	14.9	30.0
4.4 MILE	200.0	66.7	14.9	30.0
4.5 MILE	500.0	166.7	37.3	75.0
4.6 MILE      MAPLE ST    COBDEN	140.0	46.8	11.3	21.9
<b>PROJECT TOTAL:</b>		<b>2,867.0</b>	<b>643.0</b>	<b>1,291.0</b>

NOTES:  
LOCATIONS AND QUANTITIES ARE APPROXIMATE.  
FINAL LOCATIONS AND QUANTITIES TO BE DETERMINED BY THE ENGINEER.

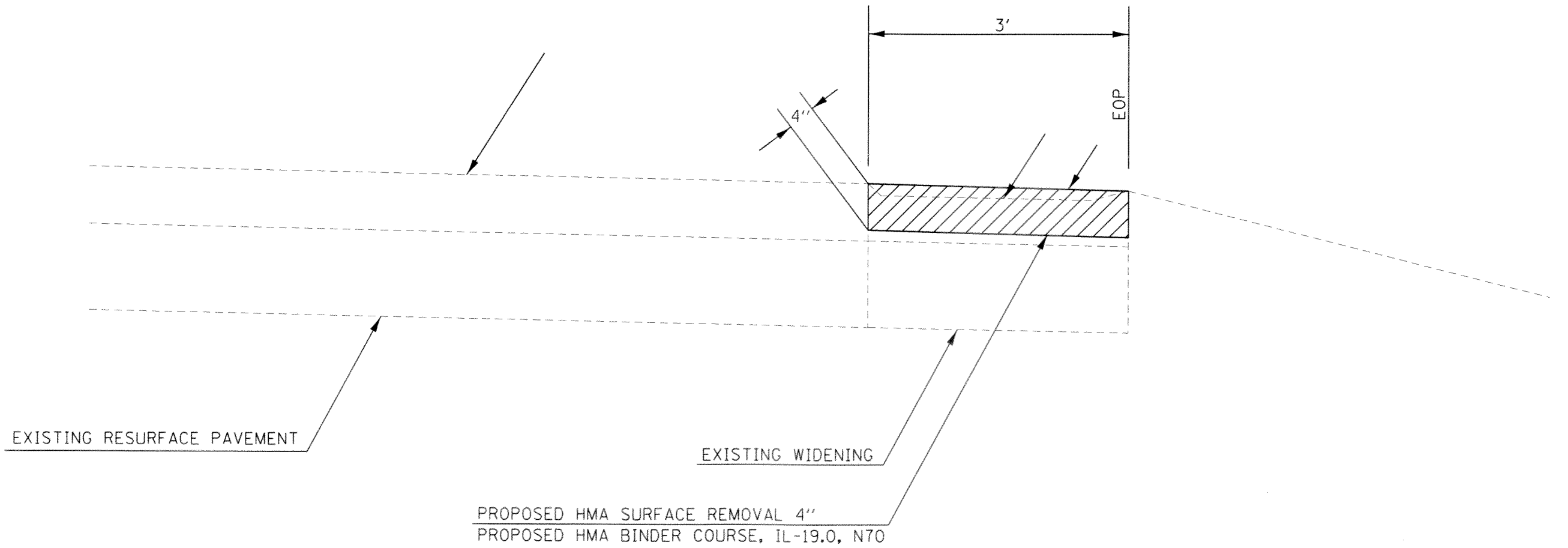
FILE NAME =	USER NAME = kranz_jc	DESIGNED -	REVISED -	<b>STATE OF ILLINOIS DEPARTMENT OF TRANSPORTATION</b>	<b>SURFACE REMOVAL AND RESURFACING SURVEY SCHEDULE</b>	F.A. RTE.	SECTION	COUNTY	TOTAL SHEETS	SHEET NO.	
pat\IL084EBIDINTEG.illinois.gov\PWIDOT\Do	uments\DOT Offices\District 9\Projects\Con	DRAWN - 2016\78472\CADData\CADsheets	REVISED - 2016\78472\CADData\CADsheets			•	D9 CM PATCH 2016-5	UNION	7	5	
#MODELNAME#	PLOT SCALE = 100.0000 1 / in.	CHECKED -	REVISED -			CONTRACT NO. 78472		ILLINOIS FED. AID PROJECT			
	PLOT DATE = 5/7/2015	DATE -	REVISED -			SCALE:	SHEET	OF	SHEETS	STA.	TO

# PATCHING SURVEY

LOCATION:	CLASS C PATCHES, 11 INCH			
	TYPE I	TYPE II	TYPE III	TYPE IV
	SQ YD	SQ YD	SQ YD	SQ YD
<b>LOCATION 1: IL 146</b>				
JONESBORO SO TO JEFFERSON ST IN ANNA				
0.0 MILES TO 0.5 MILES	31.0	394.0	64.7	70.0
0.5 MILES TO 1.1 MILES	35.0	239.0	77.3	583.0
<b>LOCATION 1 TOTALS:</b>	<b>66.0</b>	<b>633.0</b>	<b>142.0</b>	<b>653.0</b>
<b>LOCATION 2: OLD US 51</b>				
COBDEN TO ANNA				
0.0 MILES TO 1.0 MILES	50.0	163.2	0.0	0.0
1.0 MILES TO 2.0 MILES	50.0	87.8	0.0	29.0
2.0 MILES TO 3.0 MILES	50.0	200.4	0.0	0.0
3.0 MILES TO 4.0 MILES	100.0	143.8	22.0	0.0
4.0 MILES TO 4.3 MILES	100.0	65.8	17.0	0.0
<b>LOCATION 2 TOTALS:</b>	<b>350.0</b>	<b>661.0</b>	<b>39.0</b>	<b>29.0</b>
<b>PROJECT TOTAL:</b>	<b>416.0</b>	<b>1,294.0</b>	<b>181.0</b>	<b>682.0</b>

NOTES:  
 PATCHING LOCATIONS AND QUANTITIES ARE APPROXIMATE.  
 FINAL LOCATIONS AND QUANTITIES TO BE DETERMINED BY THE ENGINEER.

LOCATION 2  
 OLD US 51  
 COBDEN TO ANNA



FAP 885 / FAS 1911 / FAU 9909

FILE NAME =	USER NAME = kranz_jc	DESIGNED -	REVISED -
p:\1\1084EBIDINTEG.illinois.gov\PWIDOT\Documents\DOT_Offices\District 9\Projects\Con		DRAWN -	REVISED -
		CHECKED -	REVISED -
		DATE -	REVISED -

STATE OF ILLINOIS  
 DEPARTMENT OF TRANSPORTATION

SURFACE REMOVAL AND RESURFACING DETAIL			
SCALE:	SHEET	OF	SHEETS
	STA.		TO STA.

F.A. RTE.	SECTION	COUNTY	TOTAL SHEETS	SHEET NO.
•	D9 CM PATCH 2016-5	UNION	7	7
			CONTRACT NO. 78472	
ILLINOIS FED. AID PROJECT				