

STATE OF ILLINOIS
DEPARTMENT OF TRANSPORTATION
DIVISION OF HIGHWAYS

**PROPOSED
HIGHWAY PLANS**

IL 14 (FAP 853)
SECTION: D9 CM SAFETY SHLDRS 2016-1

FRANKLIN COUNTY

C-99-042-15

F.A.P. RTE.	SECTION	COUNTY	TOTAL SHEETS	SHEET NO.
853	D9 CM SAFETY SHLDRS 2016-1	FRANKLIN	6	1
		ILLINOIS	CONTRACT NO. 78474	

FOR INDEX OF SHEETS, SEE SHEET NO. 2

TRAFFIC DATA

IL 14 TRAFFIC DATA

FRANKLIN COUNTY

2015

ADT = 2,100

PV = 1,790

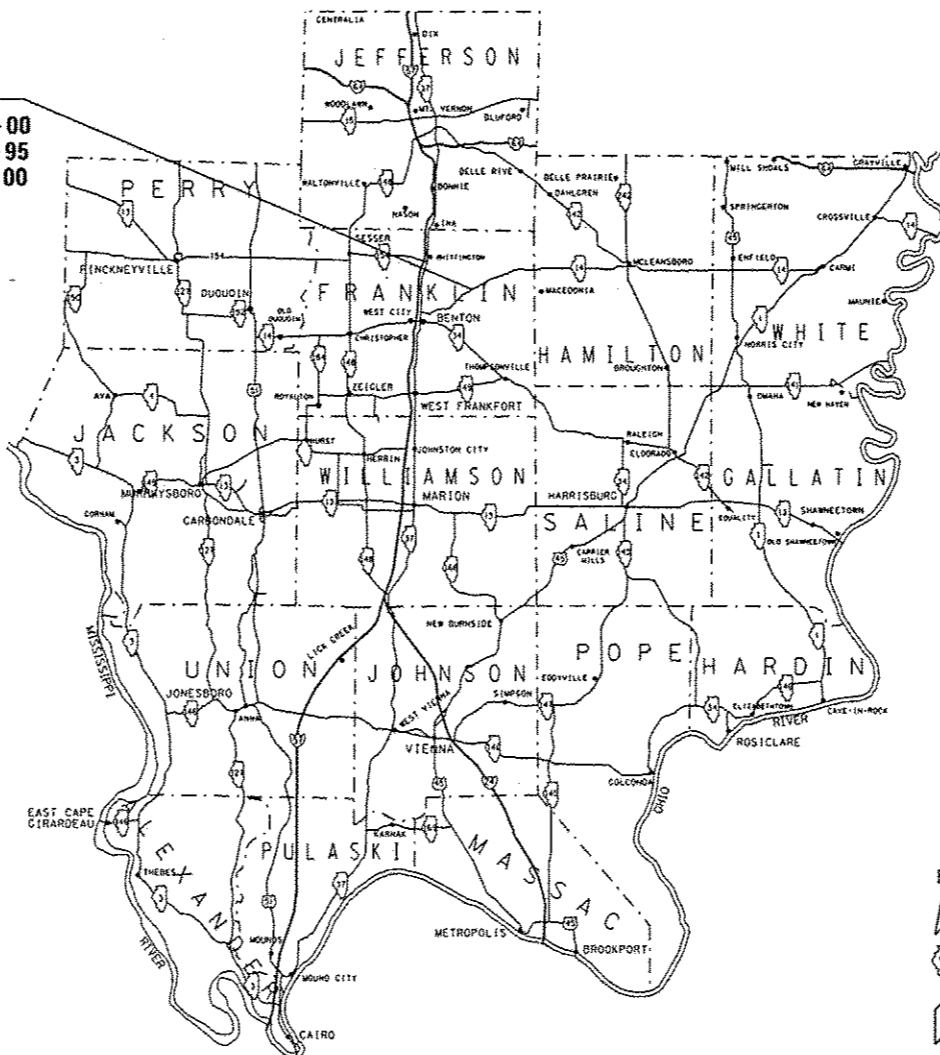
SU = 200

MU = 110

TOWNSHIP

EWING

PROJECT LIMITS
STA. 388+00 TO STA. 430+00
STA. 414+95 TO STA. 439+95
STA. 551+00 TO STA. 571+00



FULL SIZE PLANS HAVE BEEN PREPARED USING STANDARD ENGINEERING SCALES. REDUCED SIZED PLANS WILL NOT CONFORM TO STANDARD SCALES. IN MAKING MEASUREMENTS ON REDUCED PLANS, THE ABOVE SCALES MAY BE USED.

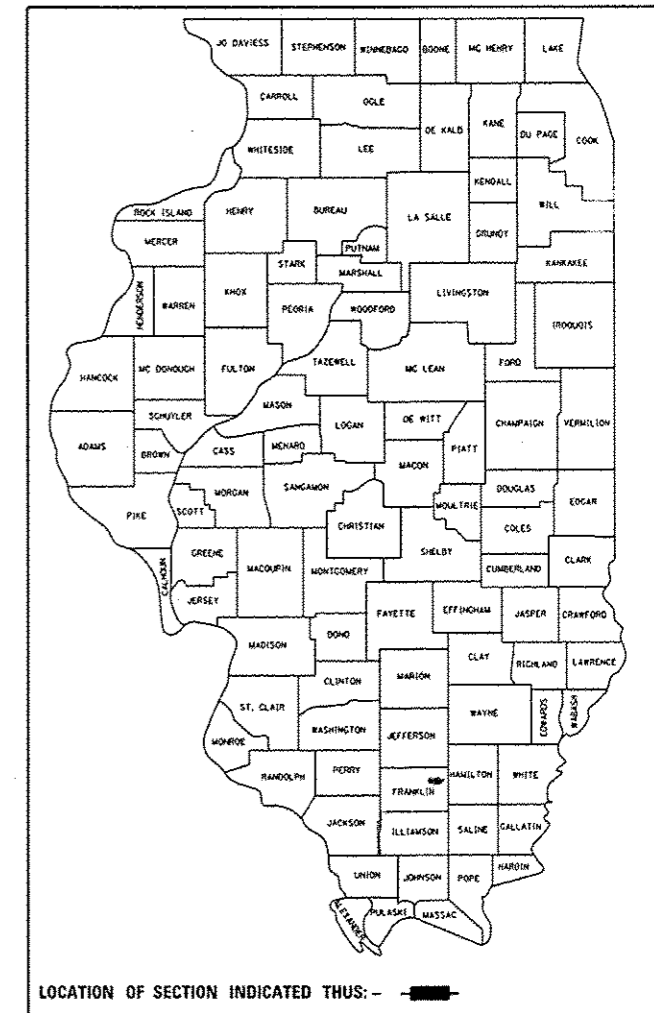
J.U.L.I.E.
JOINT UTILITY LOCATION INFORMATION FOR EXCAVATION
1-800-892-0123
OR 811

PROJECT MANAGER: SUSAN POE
PROJECT ENGINEER: SEAN GREENLEE

CONTRACT NO. 78474

GROSS LENGTH = 18,300 FT = 3.47 MILES
NET LENGTH = 9,390 FT = 1.78 MILES

D-99-034-15



STATE OF ILLINOIS
DEPARTMENT OF TRANSPORTATION
DIVISION OF HIGHWAYS

SUBMITTED May 8 2015
Jeffrey L. Keen
DEPUTY DIRECTOR OF HIGHWAYS, REGION ENGINEER

John D. Baranzelli PE, Jr.
ENGINEER OF DESIGN AND ENVIRONMENT

June 26 2015
Cher Ostrom PE, Jr.
DIRECTOR OF HIGHWAYS, CHIEF ENGINEER

PRINTED BY THE AUTHORITY
OF THE STATE OF ILLINOIS

GENERAL NOTES

1. THE THICKNESS OF HOT MIX ASPHALT SHOWN ON THE PLANS IS THE NOMINAL THICKNESS. DEVIATIONS FROM THE NOMINAL THICKNESS WILL BE PERMITTED WHEN SUCH DEVIATIONS OCCUR DUE TO IRREGULARITIES IN THE EXISTING SURFACE OR BASE ON WHICH THE HOT MIX ASPHALT IS PLACED.
2. FACTORS USED FOR ESTIMATING PLAN QUANTITIES ARE AS FOLLOWS AND SHALL NOT BE USED FOR THE BASIS OF FINAL QUANTITIES:

ALL HOT MIX ASPHALT	2.016 TONS/CU YD
ALL AGGREGATE	2.05 TONS/CU YD
BITUMINOUS MATERIALS:	
ON PAVEMENT	0.09 GAL/SQ YD
INTERMEDIATE LIFTS (FOG COATS)	0.04 GAL/SQ YD
ON AGGREGATE SURFACE	0.32 GAL/SQ YD
AGGREGATE (PRIME COAT)	0.0015 TONS/SQ YD
RIPRAP	1.50 TONS/CU YD
3. WHEN PLACING HOT-MIX ASPHALT SHOULDERS, 8", THE CONTRACTOR SHALL TRIM EXISTING SURFACE AND BASE TO A FIRM, NEAR VERTICAL PLANE BEFORE CONSTRUCTING THE HOT-MIX ASPHALT SHOULDERS, 8". THE COST OF THIS REQUIREMENT IS INCLUDED IN THE UNIT PRICE FOR HOT-MIX ASPHALT SHOULDER, 8".
4. THE EXCAVATED AGGREGATE/EARTH FOR THE PROPOSED SHOULDER SHALL NOT BE WASTED ON THE CONSTRUCTION SITE, UNLESS APPROVAL IS FIRST GIVEN BY THE ENGINEER.
5. THERE ARE NO AVAILABLE WASTE SITES ON THE EXISTING RIGHT OF WAY WITHIN THE PROJECT LIMITS. DISPOSAL WILL BE THE RESPONSIBILITY OF THE CONTRACTOR AND MUST BE DISPOSED OF IN ACCORDANCE WITH ARTICLE 202.03 OF THE STANDARD SPECIFICATIONS.

INDEX OF SHEETS



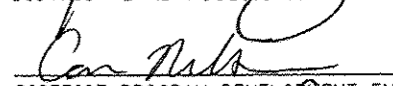


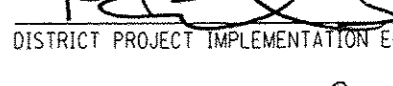
SHT NO	DESCRIPTION
1	COVER SHEET
2	INDEX OF SHEETS, STANDARDS, MIXTURES REQUIREMENTS, SIGNATURE BLOCK
3	SUMMARY OF QUANTITIES
4	TYPICAL SECTION
5	SCHEDULES OF QUANTITIES
6	DETAIL: AGGREGATE ENTRANCES

STANDARDS

000001-06	STANDARD SYMBOLS, ABBREVIATIONS, AND PATTERNS
001006	DECIMAL OF AN INCH AND OF A FOOT
701001-02	OFF-RD OPERATIONS, 2L, 2W, MORE THAN 15' AWAY
701006-05	OFF-RD OPERATIONS, 2L, 2W, 15' TO 24" FROM PAVEMENT EDGE
701326-04	LANE CLOSURE, 2L, 2W, PAVEMENT WIDENING, FOR SPEEDS ≥ 45 MPH
701901-04	TRAFFIC CONTROL DEVICES

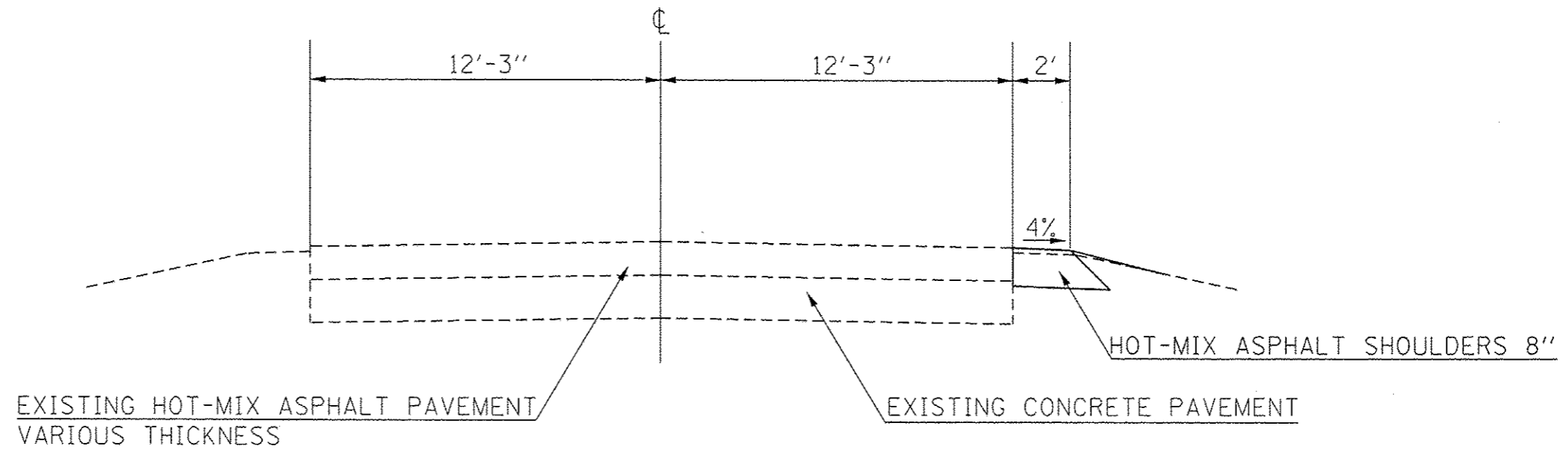
MIXTURES REQUIREMENTS

Locations	Hot-Mix Asphalt Shoulders
Mixture Use(s):	Hot-Mix Asphalt Binder Course, N70, IL-19.0mm
AC/PG:	PG64-22
ABR % (Max):	See Special Provision
Design Air Voids:	4.0 %, 70 Gyration Design
Mixture Composition: (Gradation Mixture)	IL-19.0mm
Friction Aggregate:	None
Quality Management Program:	QCQA

Prepared By:	 DISTRICT STUDIES & PLANS ENGINEER
Examined By:	 DISTRICT LAND ACQUISITION ENGINEER
Examined By:	 DISTRICT PROGRAM DEVELOPMENT ENGINEER
Examined By:	 DISTRICT OPERATIONS ENGINEER
Examined By:	 DISTRICT PROJECT IMPLEMENTATION ENGINEER
Examined By:	 DISTRICT CONSTRUCTION ENGINEER
Examined By:	_____ DISTRICT MATERIALS ENGINEER

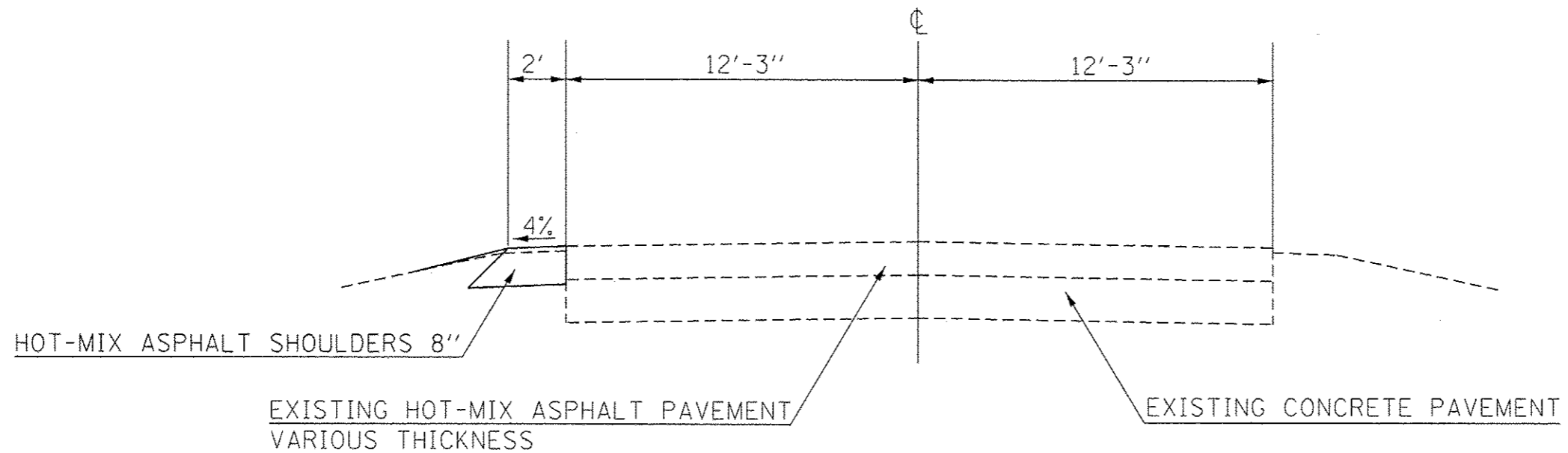
SUMMARY OF QUANTITIES				COUNTY	CONSTRUCTION CODE
				FUNDING	FRANKLIN
CODE NO.	ITEM	UNIT	TOTAL QUANTITY	ROADWAY	
				0021	
				RURAL	
20200600	EXCAVATING AND GRADING EXISTING SHOULDERS	UNIT	93.9	93.9	
40600100	BITUMINOUS MATERIALS (PRIME COAT)	POUND	469.5	469.5	
48203029	HOT-MIX ASPHALT SHOULDERS, 8"	SQ YD	2086.7	2086.7	
67100100	MOBILIZATION	L SUM	1.0	1.0	
70100500	TRAFFIC CONTROL AND PROTECTION, STANDARD 701326	L SUM	1.0	1.0	

TYPICAL SECTIONS (IL 14)



TO BE USED:

STA 388+00 TO STA 430+00
 STA 551+00 TO STA 571+00



TO BE USED:

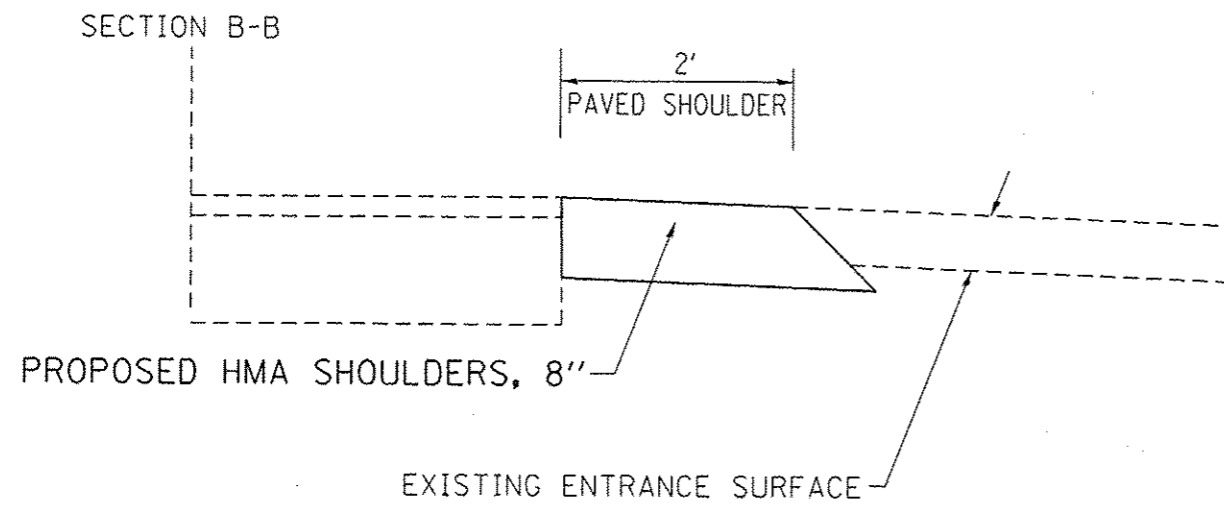
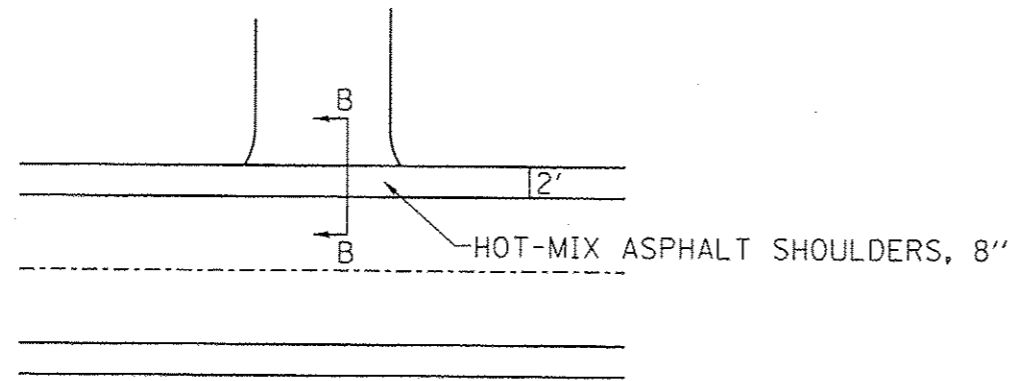
STA 414+95 TO STA 439+95

FILE NAME *	USER NAME * greenleam	DESIGNED -	REVISED -	STATE OF ILLINOIS DEPARTMENT OF TRANSPORTATION	TYPICAL SECTIONS				F.A.P. RTE.	SECTION	COUNTY	TOTAL SHEETS	SHEET NO.
pr:\IL084EBID\INTEG.illinois.gov\PI00T\Documents\IDOT Offices\District 9\Projects\Geo-DRAWING>Data\Geometrics\Sean's_jobs\misc	DRAWN	CHECKED -	REVISED -						853	09 CM SAFETY SHOULDERS 2016-1	FRANKLIN	6	4
Default	PLOT SCALE * 100.0000' / in.	DATE -	REVISED -		SCALE:	SHEET	OF	SHEETS	STA.	TO	STA.	CONTRACT NO. 78474	
	PLOT DATE * 5/13/2015	DATE -	REVISED -		ILLINOIS FED. AID PROJECT								

SHOULDER SCHEDULE

LOCATION STATION TO STATION	GROSS LENGTH	ENTRANCES TO GAP	SIDERoads TO OMIT	NET LENGTH	EXCAVATING AND GRADING EXISTING SHOULDER	HOT-MIX ASPHALT SHOULDERS, 8"	BITUMINOUS MATERIALS (PRIME COAT)	REMARKS
	FOOT			FOOT	UNIT	SO YD	POUND	
IL 14 (FAP 853)								
388+00 RT TO 430+00 RT	4200	3 @ 40' WIDTH	1 @ 70' WIDTH	4010	40.1	891.1	200.5	
414+95 LT TO 439+95 LT	2500	4 @ 30' WIDTH		2380	23.8	528.9	119.0	
444+75 LT TO 454+75 LT	1000			1000	10	222.2	50.0	
551+00 RT TO 571+00 RT	2000			2000	20	444.4	100.0	
TOTALS	9700			9390	93.9	2086.7	469.5	

DETAIL OF AGGREGATE FIELD AND PRIVATE ENTRANCE



PREPARATION OF EXISTING SURFACE AND ANY EXCAVATION FOR ENTRANCES SHALL BE IN ACCORDANCE WITH ARTICLE 406.09 OF THE STANDARD OF SPECIFICATIONS.

FILE NAME *	USER NAME * greenleesm	DESIGNED -	REVISED -
p:\11\084EBIDINTEG\illinois.gov\PI00T\Documents\DOT Offices\District 9\Projects\Geometrics\084EBIDINTEG\Geometrics\Sean's jobs\misc		CHECKED -	REVISED -
		DATE -	REVISED -

STATE OF ILLINOIS
DEPARTMENT OF TRANSPORTATION

DETAIL: AGGREGATE ENTRANCES			
SCALE:	SHEET	OF	SHEETS
		STA.	TO STA.

F.A.P. RTE.	SECTION	COUNTY	TOTAL SHEETS	SHEET NO.
853	09 CM SAFETY SHLDRS 2016-1	FRANKLIN	6	6
CONTRACT NO. 78474				
ILLINOIS FED. AID PROJECT				