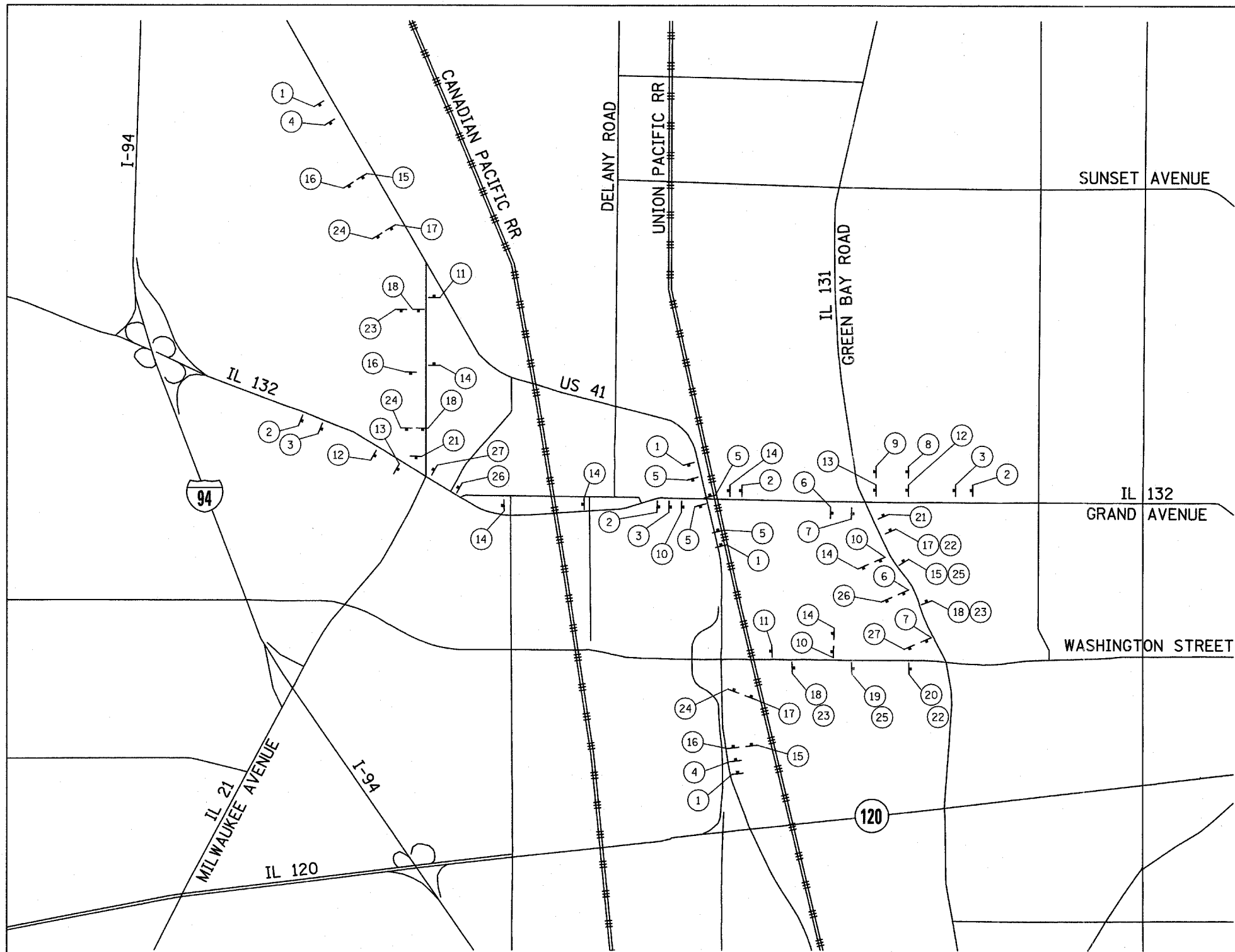


F.A.P. RTE.	SECTION	COUNTY	TOTAL SHEETS	SH. N.
346	.	LAKE	469	6
STA.	TO STA.			
FED. ROAD DIST. NO. D-91-404-99	ILLINOIS	FED. AID PROJ.		
* 125X-HB-(1&2) R-1		CONTRACT # 60		

DATE	BY
DATE	BY
DATE	BY
DATE	BY

DATE	BY
DATE	BY
DATE	BY
DATE	BY



DETOUR SIGN SCHEDULE

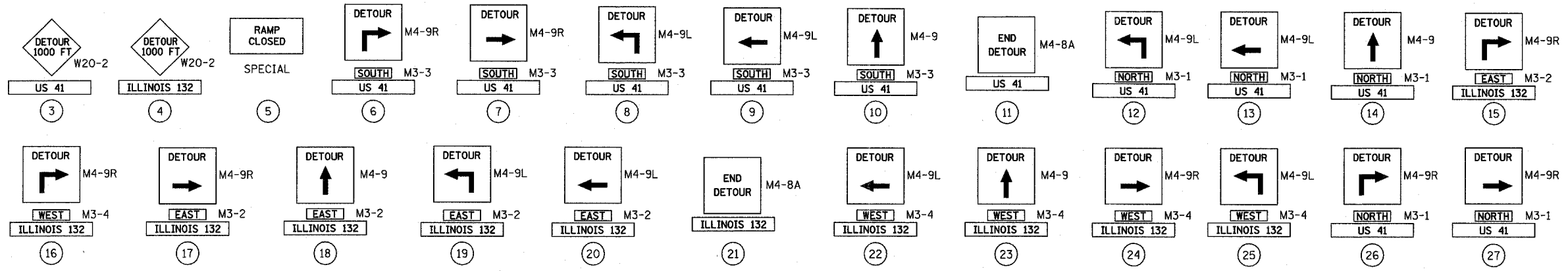
SIGN	MUTCD DESIGNATION	SIZE	QUANTITY
	M4-9	30in X 24in	16
	M4-9L	30in X 24in	6
	M4-9L	30in X 24in	8
	M4-9R	30in X 24in	10
	M4-9R	30in X 24in	10
	SPECIAL	84 in X 24in	4
	SPECIAL	84 in X 24in	5
	SPECIAL	48in X 30in	4
	W20-2	48in X 48in	5
	M4-8A	30in X 24in	4
	NONE	36in X 12in	30
	NONE	36in X 12in	27
	M3-1	24in X 12in	14
	M3-2	24in X 12in	12
	M3-3	24in X 12in	9
	M3-4	24in X 12in	13

IL 132 RAMP
WILL BE CLOSED
STARTING --/--/--
(DATE TO BE APPROVED)
①

US 41 RAMP
WILL BE CLOSED
STARTING --/--/--
(DATE TO BE APPROVED)
②

NOTES:

- ALL DETOUR SIGNS SHALL BE IN ORANGE COLOR BACKGROUND WITH BLACK LETTERS.
- FOLLOW LATEST MUTCD MANUAL AND IDOT STANDARDS FOR DETOUR SIGNS AND MAINTENANCE OF TRAFFIC SIGNS.
- SIGNS ① AND ② ARE TO BE ERECTED TWO WEEKS PRIOR TO CLOSURE.



REVISIONS	
NAME	DATE

ILLINOIS DEPARTMENT OF TRANSPORTATION
U.S. 41 (SKOKIE HIGHWAY)
AT IL ROUTE 132
**TRAFFIC CONTROL STAGING
US 41/IL 132 DETOUR PLAN**

SCALE: NONE
DATE: MAY 12, 2008
DRAWN BY: BK
CHECKED BY: DAJ