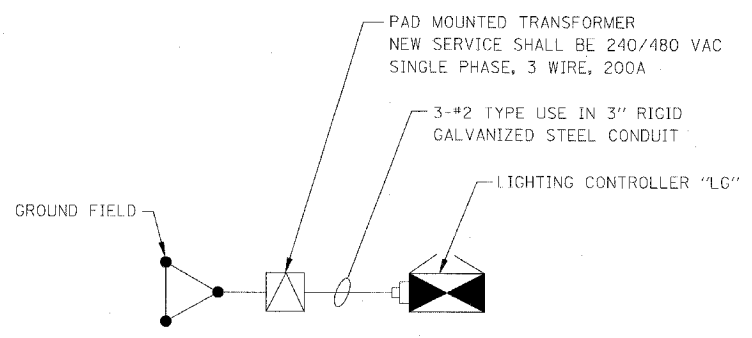
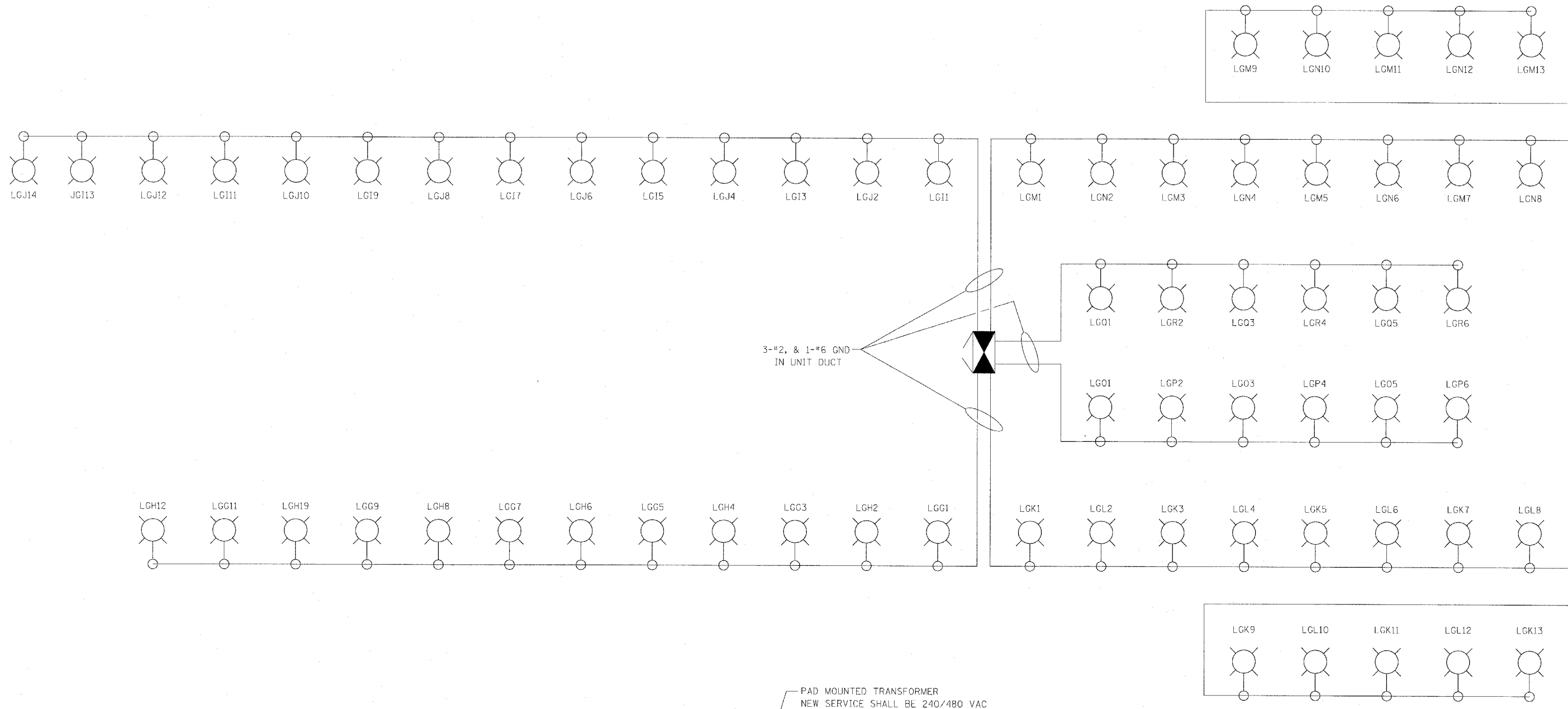


F.A.P. RTE.	SECTION	COUNTY	TOTAL SHEETS	SHEET NO.
120		LAKE	469	194
STA.		TO STA.		
FED. ROAD DIST. NO. 0-91-404-99		ILLINOIS	FED. AID PROJECT	
• 125X-HB-(1&2) R-1				

PLAN	DATE
DESIGNED	
CHECKED	
PLOTTED	
NOTE BOOK	
NO.	

PROFILE	DATE
DESIGNED	
CHECKED	
PLOTTED	
NOTE BOOK	
NO.	



REVISIONS		
NAME	DATE	
FET	06/19/08	

ILLINOIS DEPARTMENT OF TRANSPORTATION
 U.S. 41 (SKOKIE HIGHWAY)
 AT JL ROUTE 132

LIGHTING CONTROLLER "LG"
 WIRING DIAGRAM (UPPER LEVEL)

SCALE: NONE
 DATE: 05/07/08

DRAWN BY: JRH
 CHECKED BY: DEM

PLOT DATE = #DATE#
 FILE NAME = #FILE#