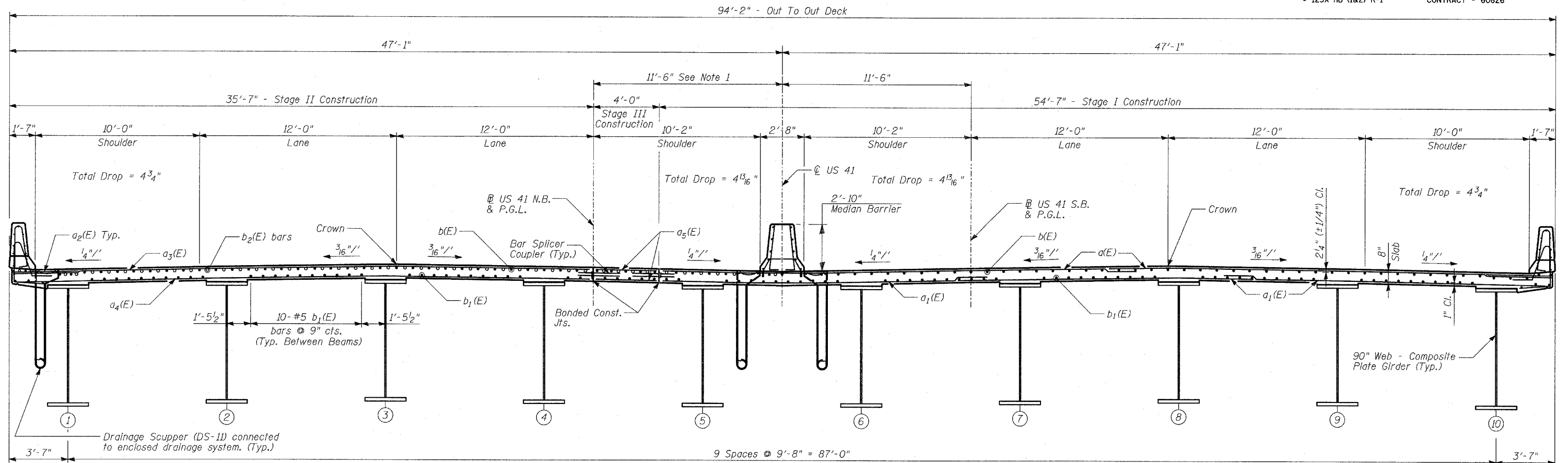


STATE OF ILLINOIS  
DEPARTMENT OF TRANSPORTATION

ROUTE NO.	SECTION	COUNTY	TOTAL SHEETS	SHEET NO.	SHEET NO. - S-20
346	*	LAKE	469	189	S-66 SHEETS
FED. ROAD DIST. NO.		ILLINOIS	FED. AID PROJECT		
125X-HB-(1&2) R-1		CONTRACT # 60826			

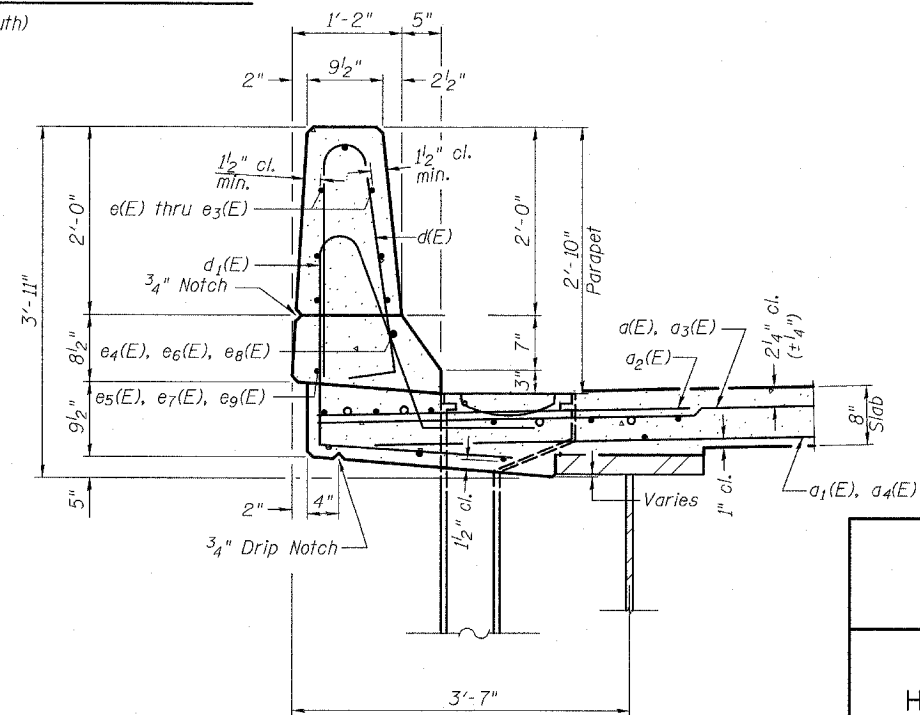
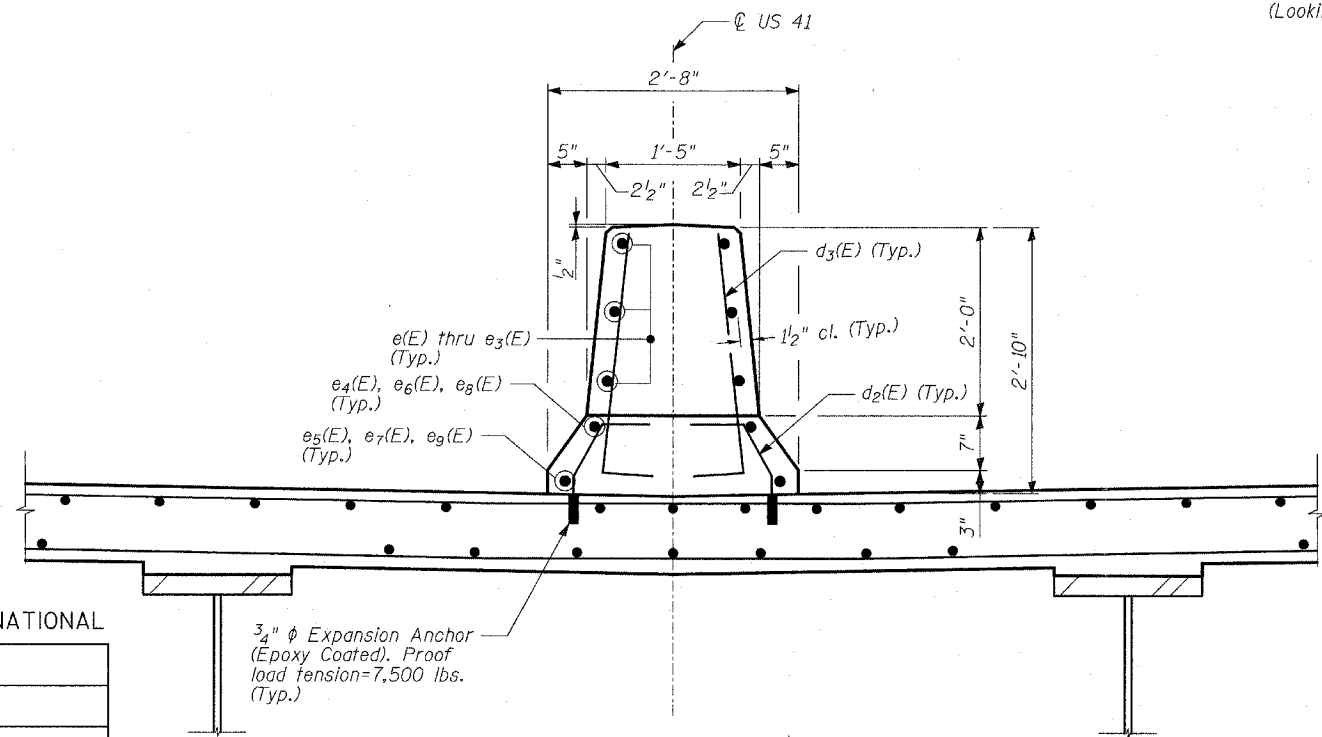


Note: From Sta. 536+83.97 to end of deck,  
Varies 11'-6" to 11'-6 1/2"

**NEAR PIER**

**CROSS SECTION THRU SUPERSTRUCTURE**  
(Looking South)

**NEAR MIDSPAN**



**SUPERSTRUCTURE  
DETAILS I**

FAP 346 (U.S. ROUTE 41 - SKOKIE  
HIGHWAY) OVER ILLINOIS ROUTE 132  
SECTION 125X-HB-(1&2)R-1  
LAKE COUNTY  
S.N. 049-0209

**TYLIN INTERNATIONAL**

DESIGNED	- SP
CHECKED	- AD
DRAWN	- SNB
CHECKED	- AD

3/4"  $\phi$  Expansion Anchor  
(Epoxy Coated). Proof  
load tension=7,500 lbs.  
(Typ.)

**SECTION THRU BARRIER MEDIAN  
AT MIDSPAN**

**SECTION THRU PARAPET**