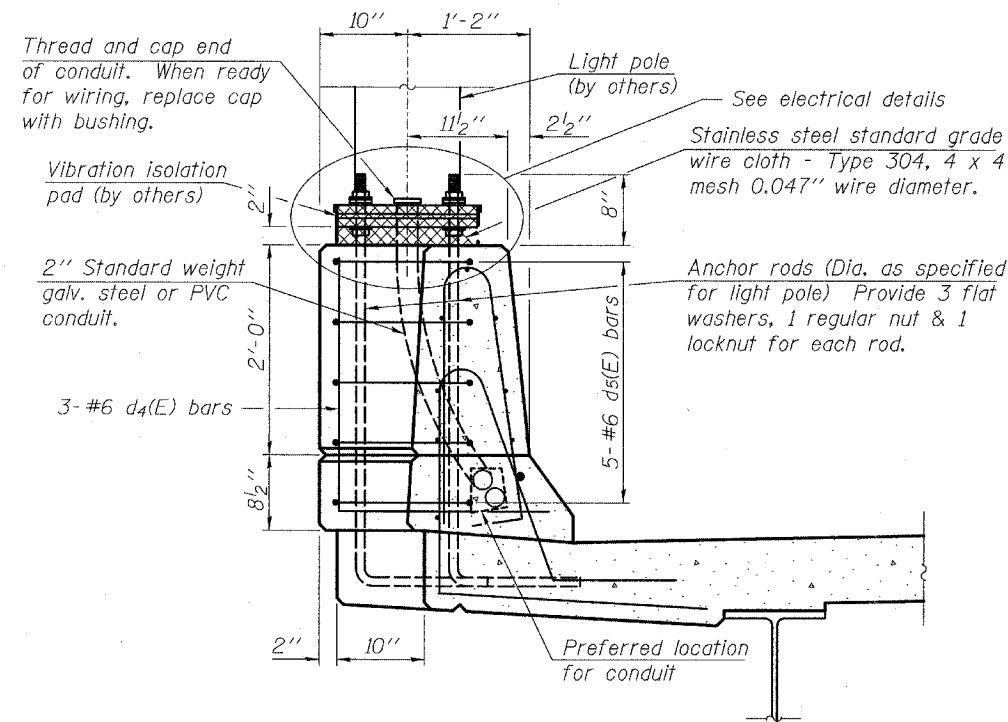
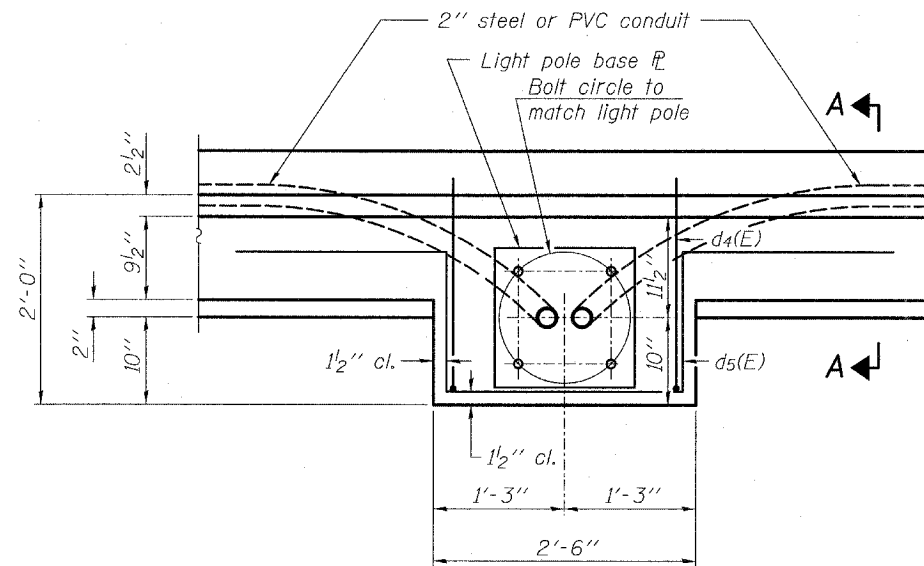


STATE OF ILLINOIS
DEPARTMENT OF TRANSPORTATION

ROUTE NO.	SECTION	COUNTY	TOTAL SHEETS	SHEET NO.	SHEET NO. -S-22A S-66" SHEETS
346	•	LAKE	469	191A	
FED. ROAD DIST. NO.		ILLINOIS	FED. AID PROJECT-		
• 125X-HB-(1&2) R-1		CONTRACT # 60826			

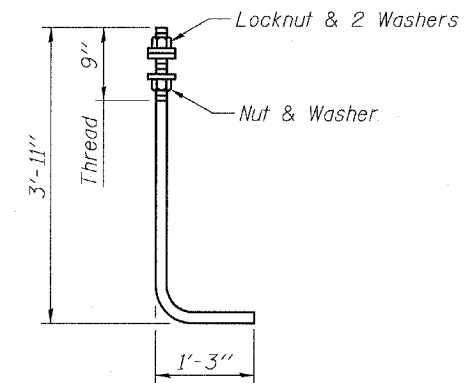


SECTION A-A



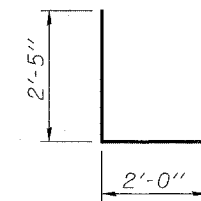
PLAN

Note:
Cost of anchor rods and conduit is included with Concrete Superstructure.

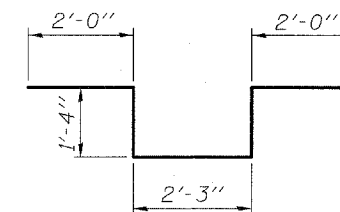


ANCHOR ROD

Diameter as specified for light poles.
(ASTM F 1554 Grade 105)



BAR d₄(E)



BAR d₅(E)

TYLIN INTERNATIONAL

DESIGNED	- MAF
CHECKED	- AD
DRAWN	- MAF
CHECKED	- AD

SUPERSTRUCTURE
DETAILS IV

FAP 346 (U.S. ROUTE 41 - SKOKIE
HIGHWAY) OVER ILLINOIS ROUTE 132
SECTION 125X-HB-(1&2)R-1
LAKE COUNTY
S.N. 049-0209