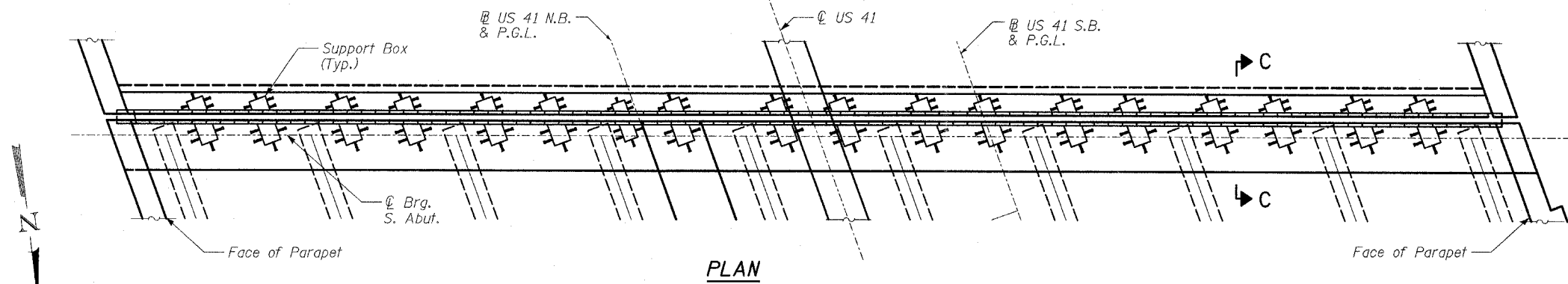


STATE OF ILLINOIS
DEPARTMENT OF TRANSPORTATION

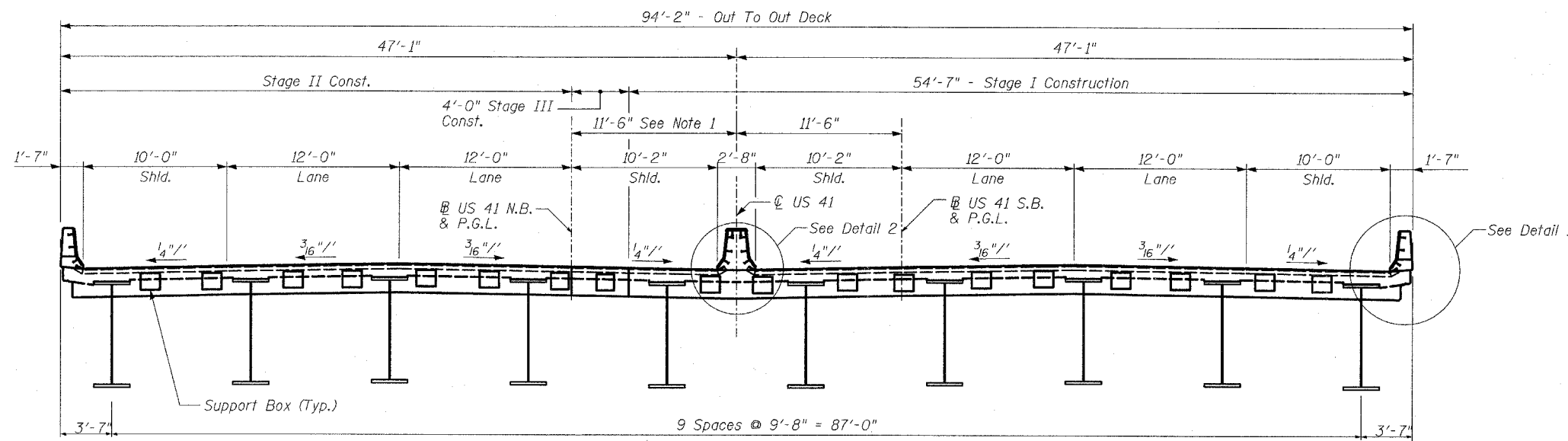
ROUTE NO.	SECTION	COUNTY	TOTAL SHEETS	"OF" SHEET	SHEET NO. - S-25
346	*	LAKE	469	194	S-86 SHEETS
FED. ROAD EST. NO.	ILLINOIS	FED. AID PROJECT			
			• 125X-HB-(1&2) R-1 CONTRACT # 60826		

GENERAL NOTES

- The expansion joint device shall be a prefabricated modular assembly with multiple support bars and separator beams, providing a continuous seal across the deck.
- All splices of center beams and edge beams shall be full penetration welds. Uprturn splices may be partial penetration welds.
- Joint shall be fabricated and installed according to the manufacturer's recommendations and as shown in the Special Provisions for Modular Expansion Joint and as approved by the Engineer.
- Joint openings shall be adjusted according to Article 503.10(c) of the Standard Specifications when the concrete blockout is cast at an ambient temperature other than 50° F.
- Joint shall be fabricated to conform to the roadway profile and cross slope.
- The cost of furnishing all material and installing the sliding plate assemblies at the parapets and median barrier shall be included with Modular Expansion Joints. The sliding plate assembly shall be galvanized.
- Countersunk bolts and concrete inserts shall be Hot-Dipped Galvanized according to AASHTO M232.
- Barrier plates to be AASHTO M270, Grade 36 and to be Hot-Dipped Galvanized according to AASHTO M111 after fabrication.
- 3/4" x 6" studs shall be according to Article 1006.32 of the Standard Specifications.
- All anchor studs shall be included with Modular Expansion Joint (unless noted otherwise).
- Modular expansion joint shall be assembled in their final relative position with the ends in place for shop inspection and acceptance.

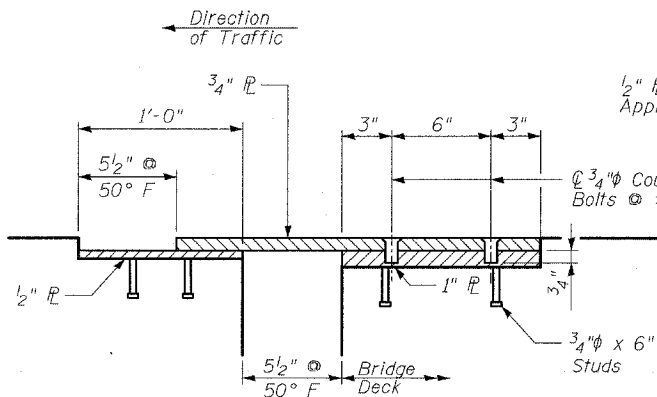


PLAN



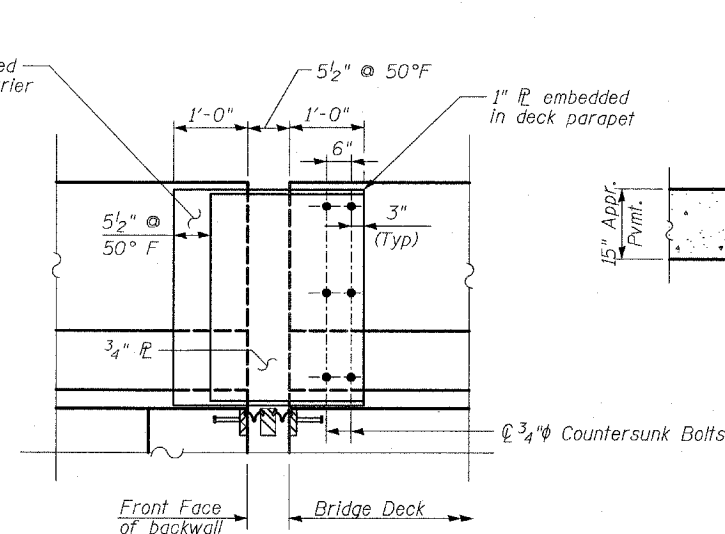
CROSS SECTION

Note 1:
From Sta. 536+83.97 to end of deck,
Varies 11'-6" to 11'-6 1/2"



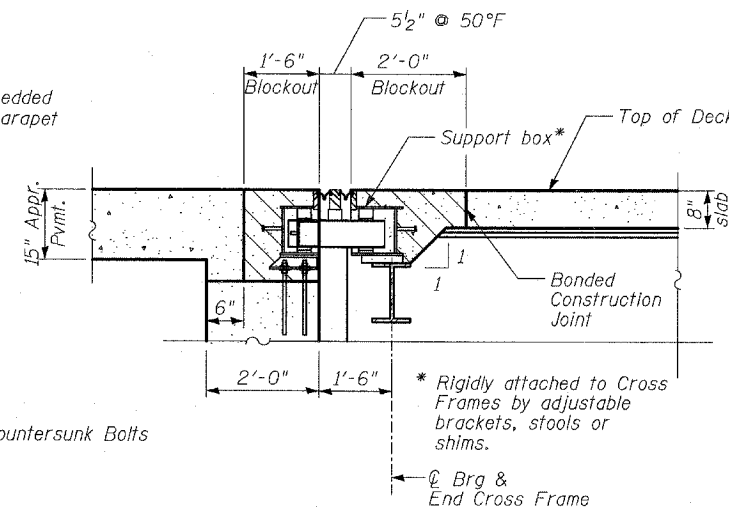
SECTION A-A

Note:
Detail applicable to each
face of median barrier.



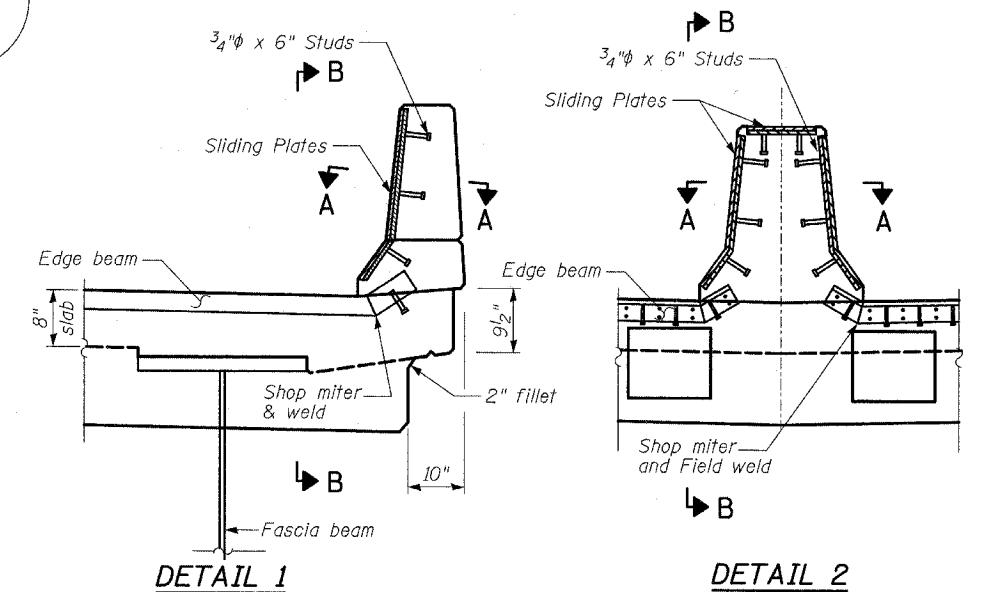
VIEW B-B

Note:
Parapet shown.
Studs not shown for clarity.
Median Barrier Detail similar.



SECTION C-C

Note:
Reinforcement not shown for clarity.
All dimensions at Rt. L's.



DETAIL 1

DETAIL 2

Note:
Install upturns at median in
Construction Stage III.

TYLIN INTERNATIONAL

DESIGNED	- SP
CHECKED	- AD
DRAWN	- MAF
CHECKED	- AD

BILL OF MATERIAL

ITEM	UNIT	TOTAL
Erecting Modular Expansion Joint 6"	Foot	99

**NORTH ABUTMENT MODULAR EXPANSION
JOINT DETAILS**

FAP 346 (U.S. ROUTE 41 - SKOKIE
HIGHWAY) OVER ILLINOIS ROUTE 132
SECTION 125X-HB-(1&2)R-1
LAKE COUNTY
S.N. 049-0209