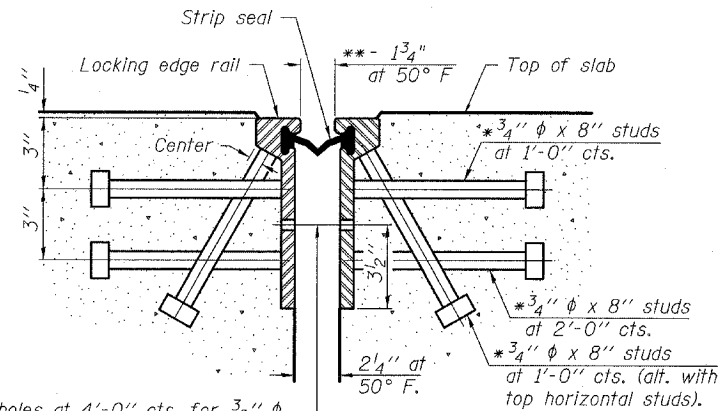


STATE OF ILLINOIS
DEPARTMENT OF TRANSPORTATION

ROUTE NO.	SECTION	COUNTY	TOTAL SHEETS	SHEET NO.	SHEET NO. - S-26
346	*	LAKE	469	195	S-66-SHEETS
FED. ROAD DIST. NO.	ILLINOIS	FED. AID PROJECT-			
			* 125X-HB-(1&2) R-1 CONTRACT # 60826		

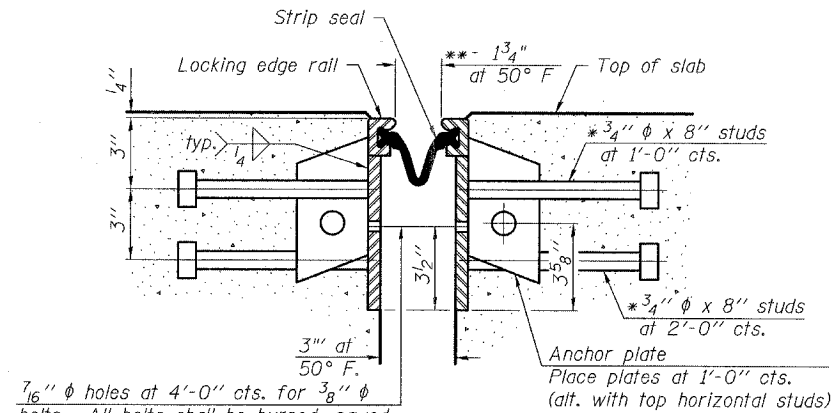
* Granular or solid flux filled headed studs conforming to Article 1006.32 of the Std. Specs., automatically end welded.

** When joint is fixed, dimension is set at 1 1/2".



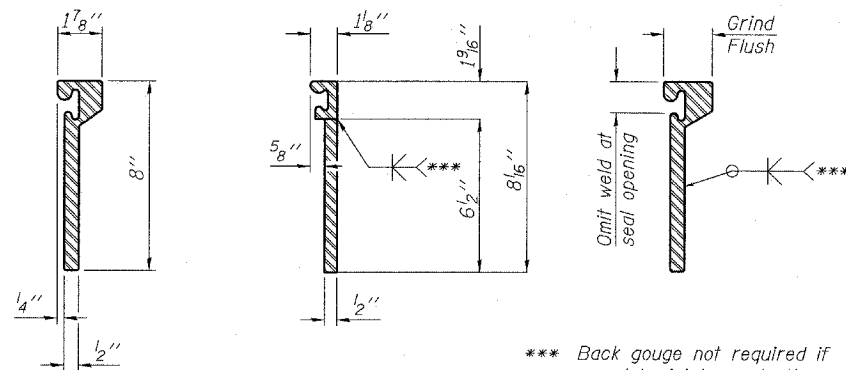
7/16" ϕ holes at 4'-0" cts. for 3/8" ϕ bolts. All bolts shall be burned, sawed, or chipped off flush with the plates after forms are removed, typ.

SECTION THRU
ROLLED RAIL JOINT



7/16" ϕ holes at 4'-0" cts. for 3/8" ϕ bolts. All bolts shall be burned, sawed, or chipped off flush with the plates after forms are removed, typ.

SECTION THRU
WELDED RAIL JOINT



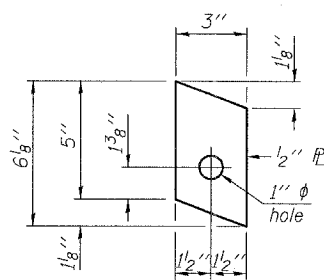
*** Back gouge not required if complete joint penetration is verified by mock-up.

ROLLED
(EXTRUDED) RAIL WELDED RAIL

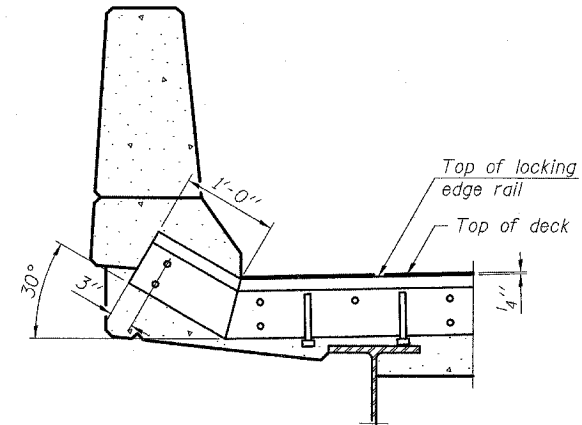
LOCKING EDGE
RAIL SPLICE

The inside of the locking edge rail groove shall be free of weld residue.

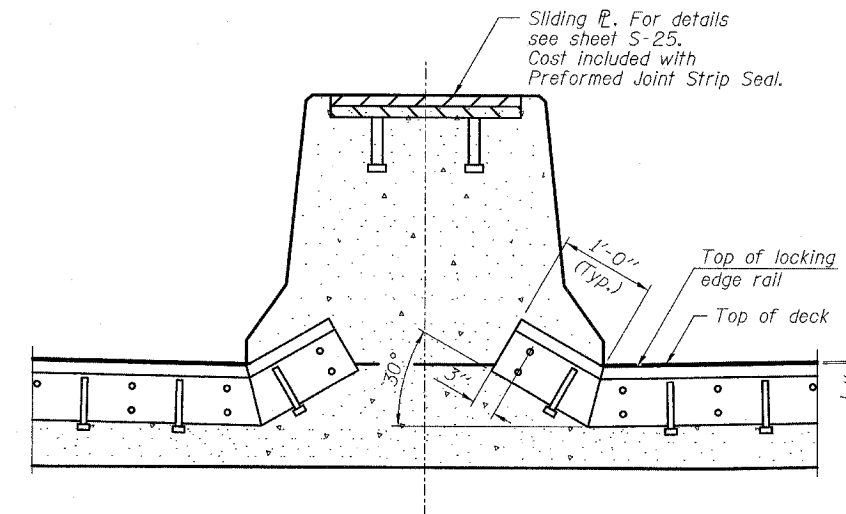
LOCKING EDGE RAILS



ANCHOR PLATE
(for welded rail)



AT PARAPET



AT MEDIAN BARRIER

TYPICAL END TREATMENTS

BILL OF MATERIAL

Item	Unit	Total
Preformed Joint Strip Seal	Foot	99

PREFORMED JOINT STRIP SEAL

FAP 346 (U.S. ROUTE 41 - SKOKIE HIGHWAY) OVER ILLINOIS ROUTE 132
SECTION 125X-HB-(1&2)R-1
LAKE COUNTY
S.N. 049-0209

TYLIN INTERNATIONAL

DESIGNED	- SP
CHECKED	- AD
DRAWN	- MAF
CHECKED	- AD

EJ-SSJ

11-1-06