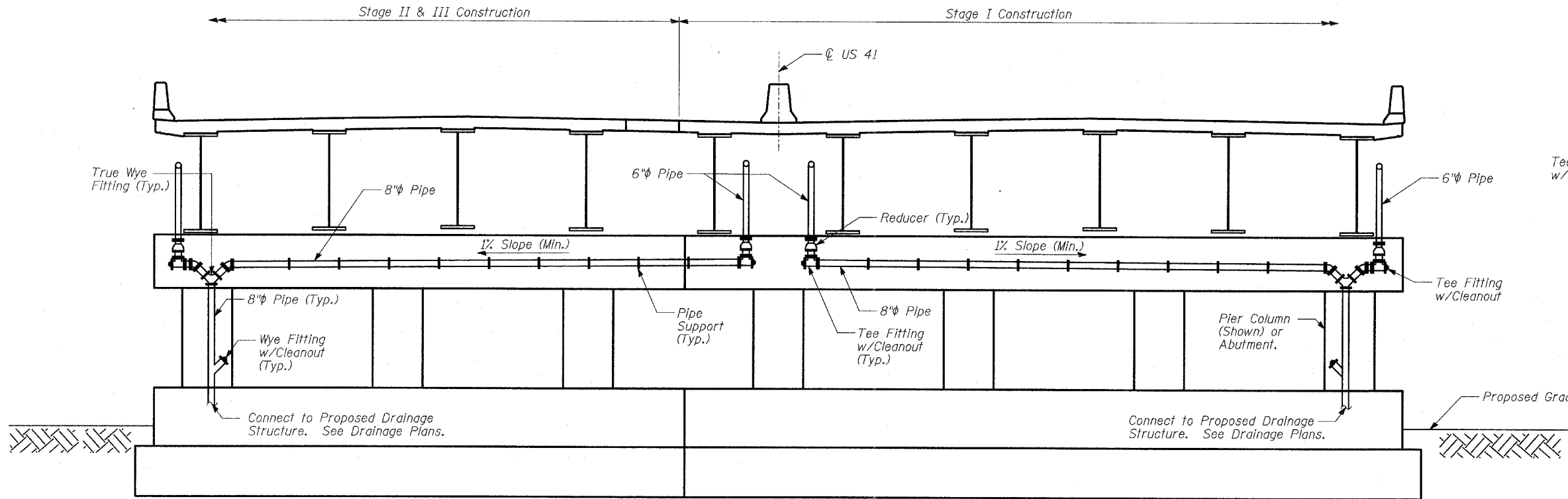


STATE OF ILLINOIS
DEPARTMENT OF TRANSPORTATION

ROUTE NO.	SECTION	COUNTY	TOTAL SHEETS	SHEET NO.
346	*	LAKE	469	196
FED. ROAD DIST. NO.	ILLINOIS	FED. AID PROJECT-		
* 125X-HB-(1&2) R-1		CONTRACT # 60826		

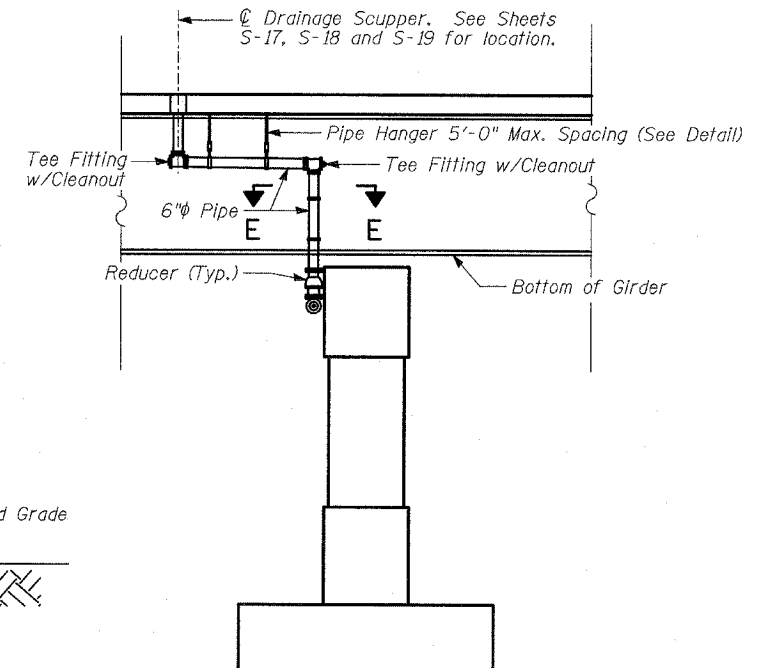
SHEET NO. - S-27
S-66 SHEETS



ELEVATION

(Looking South)

(Pier 2 Shown, North Abutment Sym.)
(Pier 1 and South Abutment Opp. Hand)



LONGITUDINAL SECTION

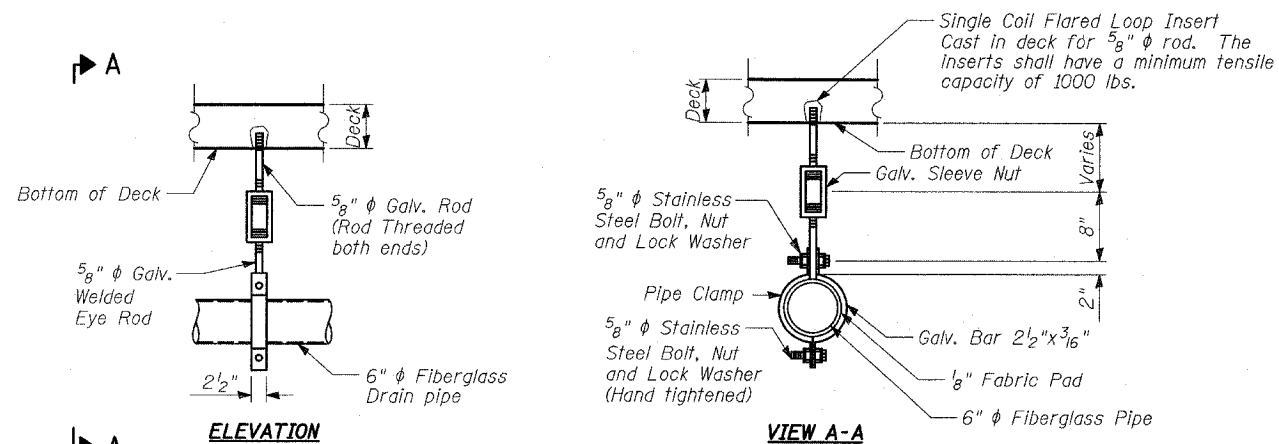
(Pier Shown, Abutment Sym.)

BILL OF MATERIAL

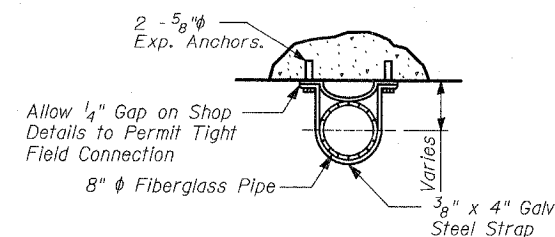
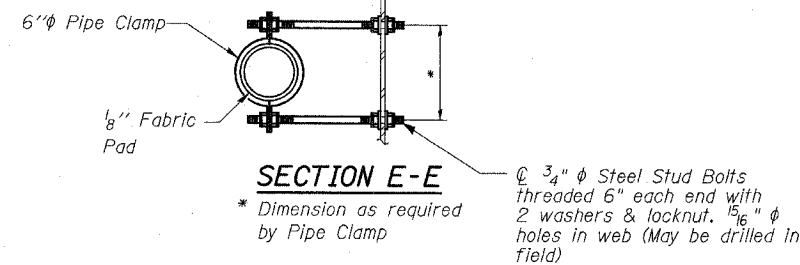
ITEM	UNIT	TOTAL
Drainage System	L.S.	1

NOTES:

1. Pipe bracket shall be provided on all horizontal pipes at each tee, elbow or change in direction and at intermediate points not more than 5'-0" O.C.
2. There shall be a minimum of two brackets per column.
3. At the following substructure units, the pipe fittings will need to accommodate the following total horizontal movement:
N. Abut. - 2 1/4"
Pier 2 - 3 1/2"
S. Abut. - 5 7/8"



PIPE HANGER DETAIL



PIPE BRACKET DETAIL

(To Concrete)

TYLIN INTERNATIONAL

DESIGNED	- SP
CHECKED	- AD
DRAWN	- DE
CHECKED	- AD

**DRAINAGE SYSTEM
DETAILS**

FAP 346 (U.S. ROUTE 41 - SKOKIE
HIGHWAY) OVER ILLINOIS ROUTE 132
SECTION 125X-HB-(1&2)R-1
LAKE COUNTY
S.N. 049-0209