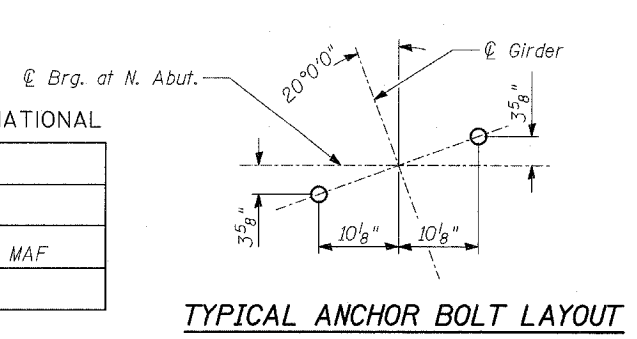
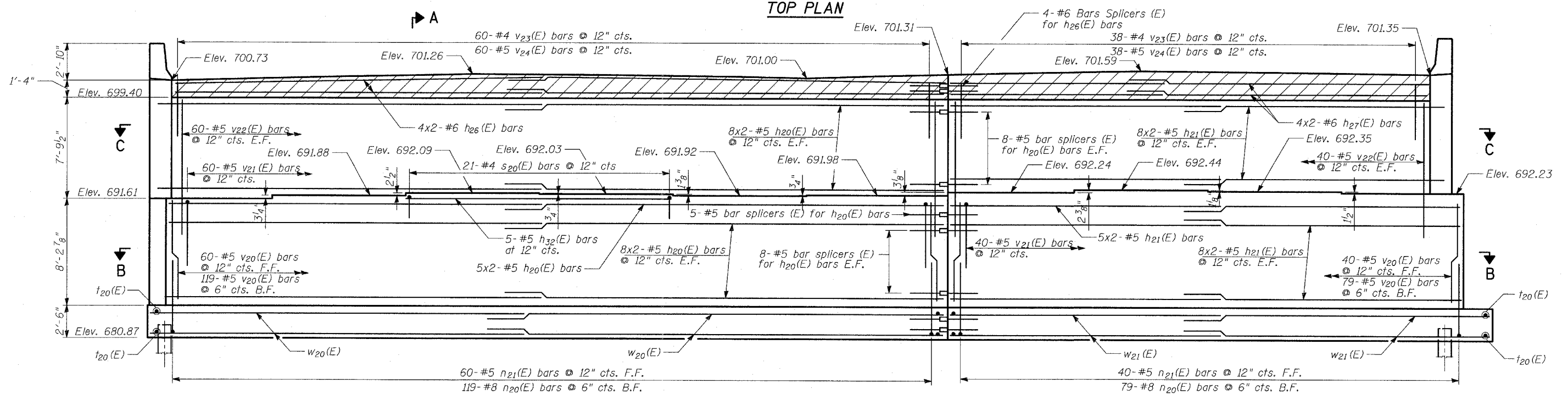
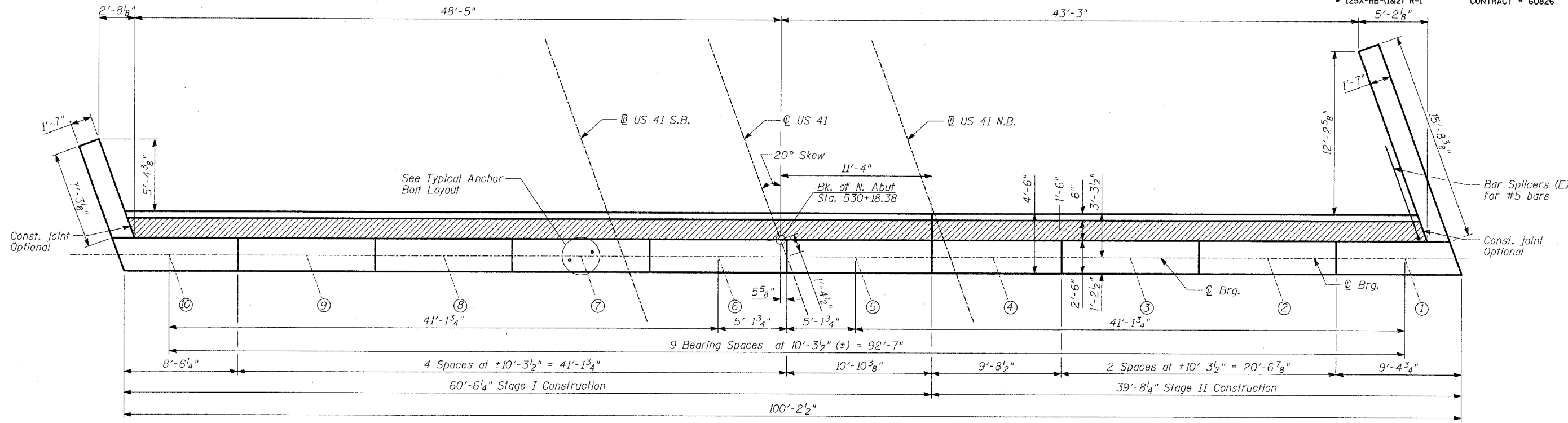


STATE OF ILLINOIS  
DEPARTMENT OF TRANSPORTATION

ROUTE NO.	SECTION	COUNTY	TOTAL SHEETS	SHEET NO.	SHEET NO. - S-37 S-66 SHEETS
346	.	LAKE	469	206	
FED. ROAD DIST. NO.		ILLINOIS	FED. AID PROJECT		
• 125X-HB-(1&2) R-1		CONTRACT # 60826			



MIN. LAP LENGTHS

Bar	Lap
#5	2'-2"
#6	2'-7"

NOTES

- For Sections A-A, see Sheet S-39.
- For Sections B-B and C-C, see Sheet S-38.

LEGEND

B.F. denotes Back Face  
F.F. denotes Front Face  
E.F. denotes Each Face

TYLIN INTERNATIONAL

DESIGNED	- SP
CHECKED	- AD
DRAWN	- SP, MAF
CHECKED	- AD

**NORTH ABUTMENT**

FAP 346 (U.S. ROUTE 41 - SKOKIE HIGHWAY) OVER ILLINOIS ROUTE 132  
SECTION 125X-HB-(1&2)R-1  
LAKE COUNTY  
S.N. 049-0209