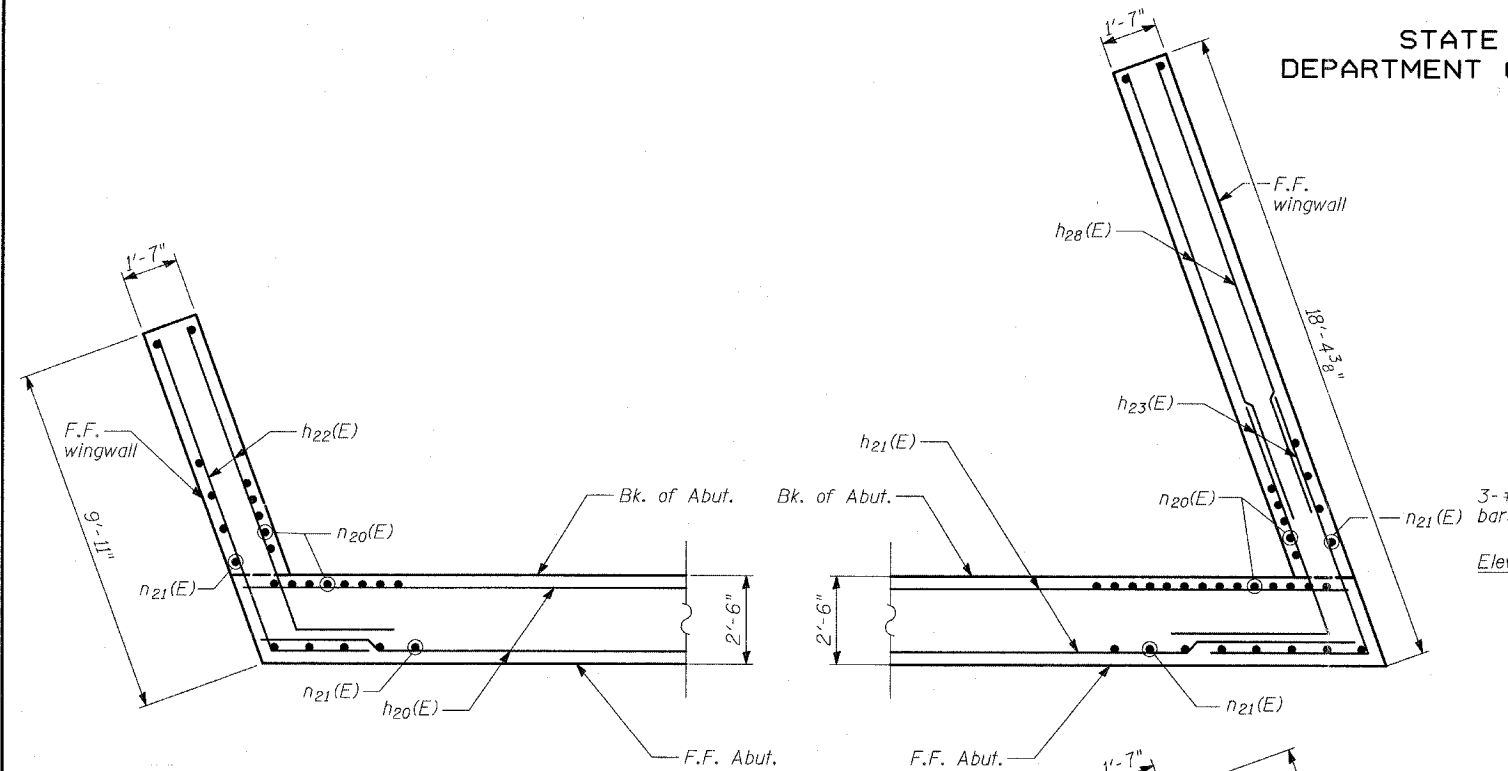
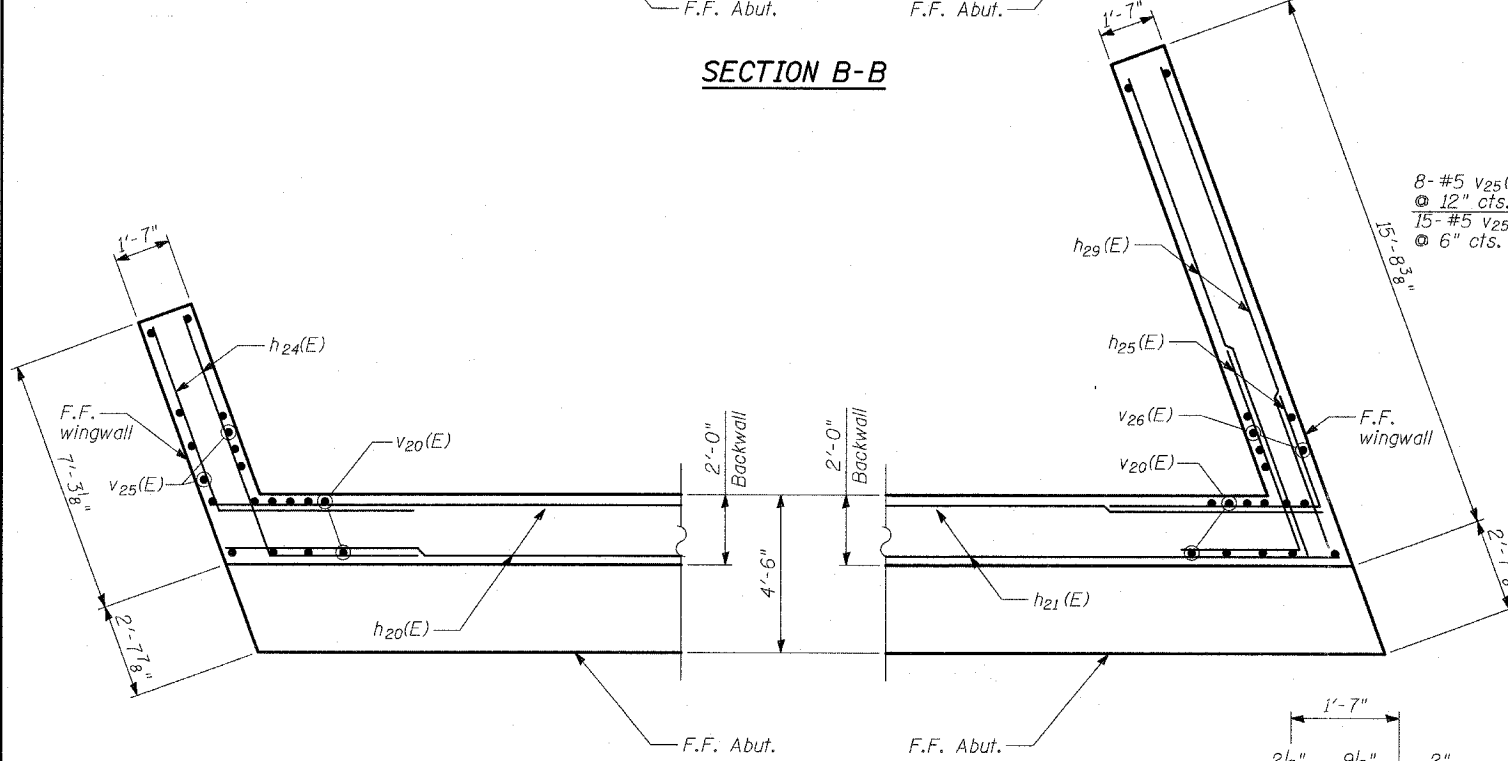


STATE OF ILLINOIS  
DEPARTMENT OF TRANSPORTATION

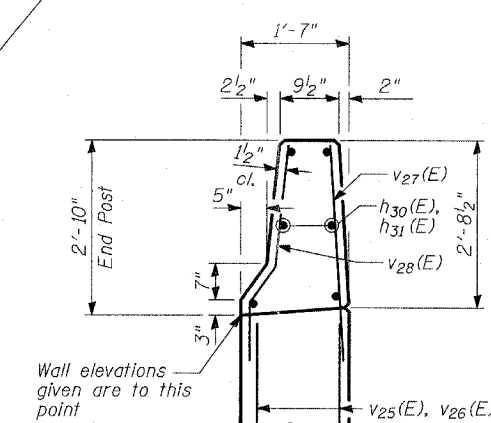
ROUTE NO.	SECTION	COUNTY	TOTAL SHEETS	SHEET NO.	SHEET NO. - S-38
346	*	LAKE	469	207	S-66 SHEETS
FED. ROAD DIST. NO.		ILLINOIS	FED. AID PROJECT-		
			CONTRACT # 60826		



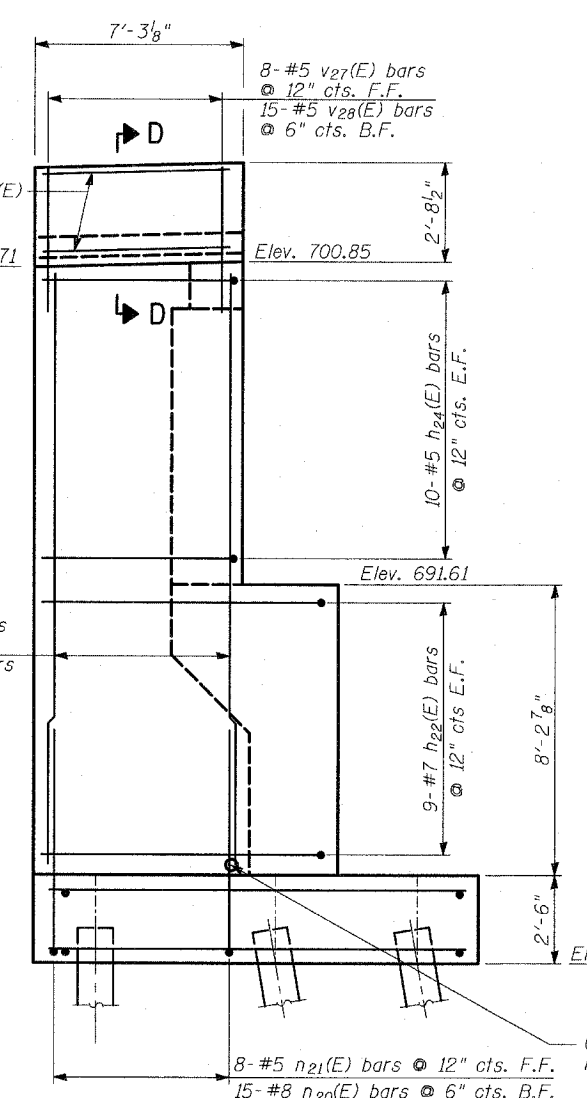
SECTION B-B



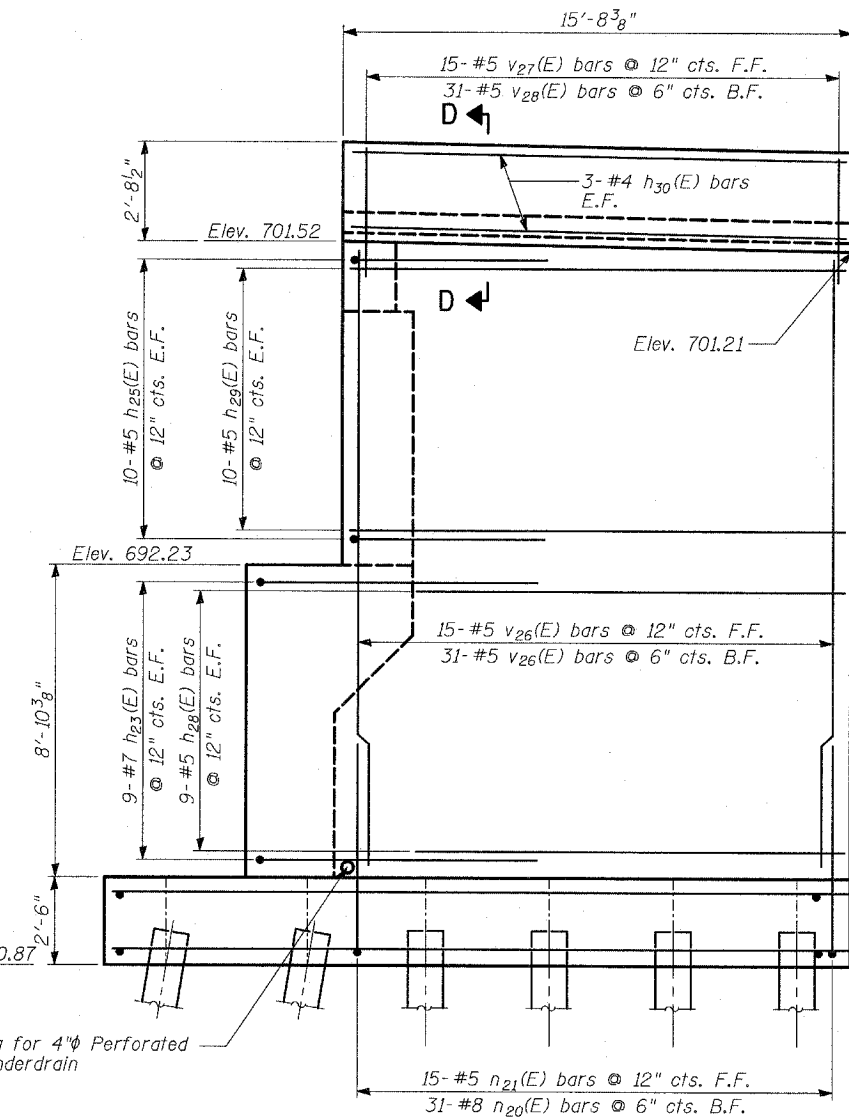
SECTION C-C



SECTION D-D



ELEVATION - NORTHWEST WINGWALL



ELEVATION - NORTHEAST WINGWALL

TYLIN INTERNATIONAL

DESIGNED	- SP
CHECKED	- AD
DRAWN	- SP, MAF
CHECKED	- AD

LEGEND

F.F. denotes Front Face  
B.F. denotes back Face

NORTH ABUTMENT  
DETAILS I

FAP 346 (U.S. ROUTE 41 - SKOKIE  
HIGHWAY) OVER ILLINOIS ROUTE 132  
SECTION 125X-HB-(1&2)R-1  
LAKE COUNTY  
S.N. 049-0209