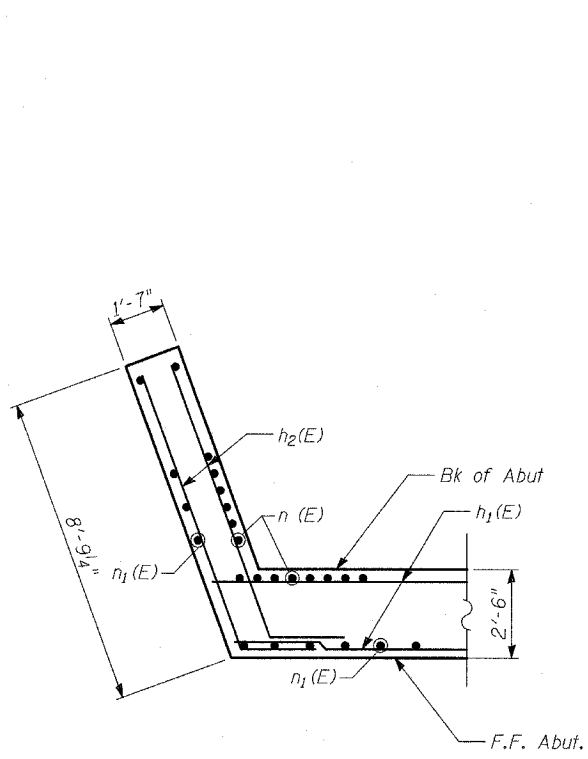


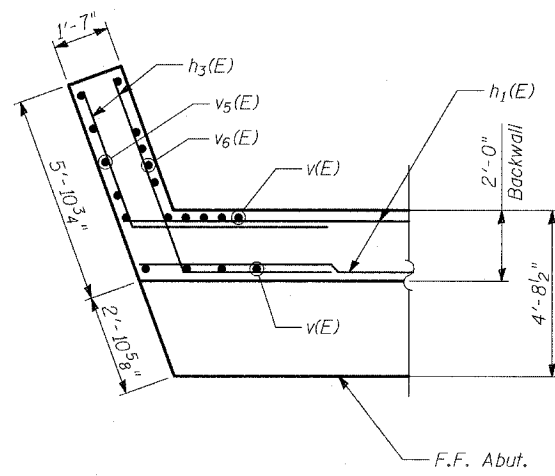
STATE OF ILLINOIS
DEPARTMENT OF TRANSPORTATION

ROUTE NO.	SECTION	COUNTY	TOTAL SHEETS	SHEET NO.	SHEET NO. - S-41
346		LAKE	469	210	S-66 SHEETS
FED. ROAD DIST. NO.		ILLINOIS	FED. AID PROJECT-		
			CONTRACT # 60826		

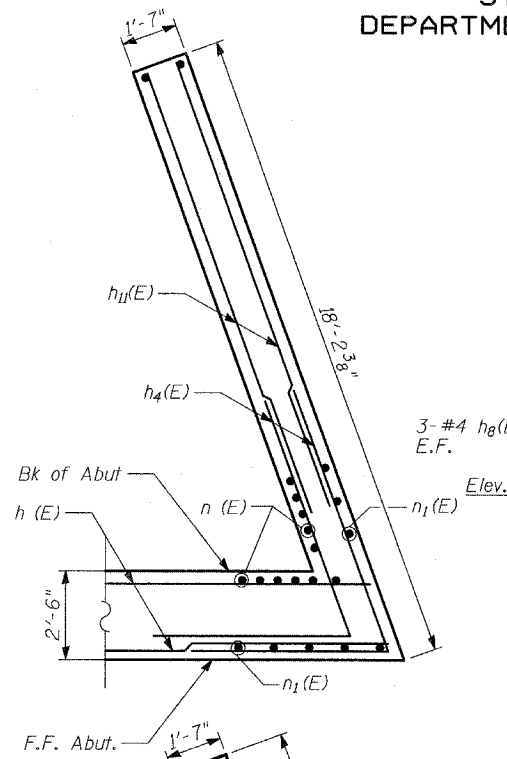
125X-HB-(1&2) R-1



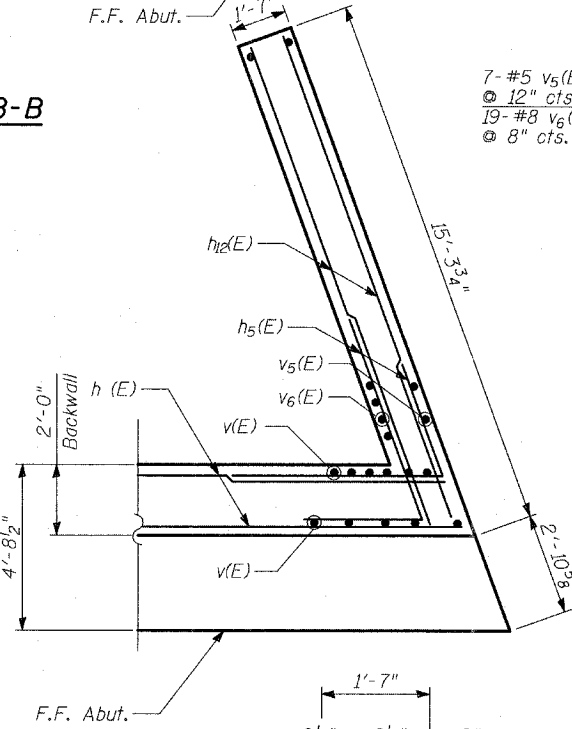
SECTION B-B



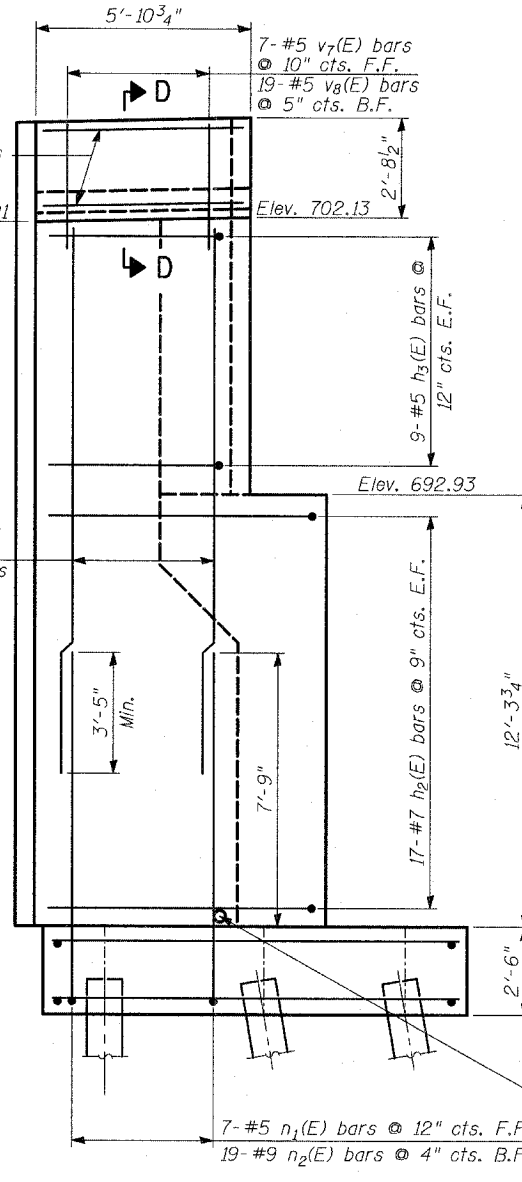
SECTION C-C



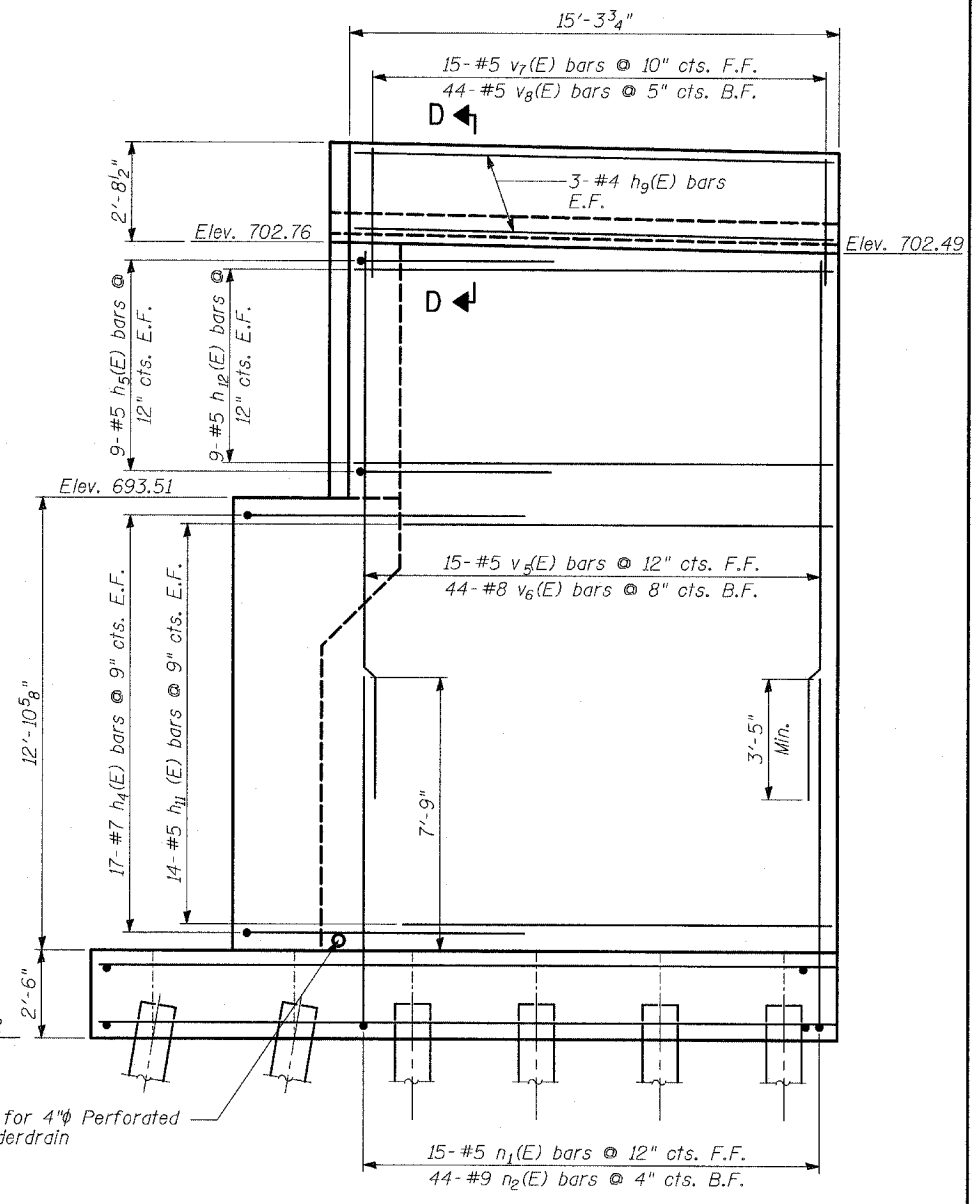
SECTION D-D



ELEVATION - SOUTHEAST WINGWALL



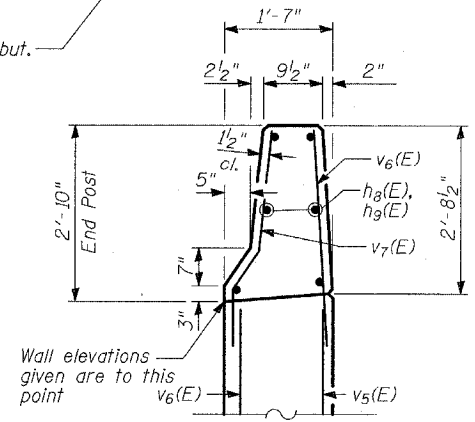
ELEVATION - SOUTHWEST WINGWALL



ELEVATION - SOUTHWEST WINGWALL

TYLIN INTERNATIONAL

DESIGNED	- SP
CHECKED	- AD
DRAWN	- SP, MAF
CHECKED	- AD



Wall elevations given are to this point

LEGEND

F.F. denotes Front Face
B.F. denotes back Face

SOUTH ABUTMENT
DETAILS I

FAP 346 (U.S. ROUTE 41 - SKOKIE
HIGHWAY) OVER ILLINOIS ROUTE 132
SECTION 125X-HB-(1&2)R-1
LAKE COUNTY
S.N. 049-0209