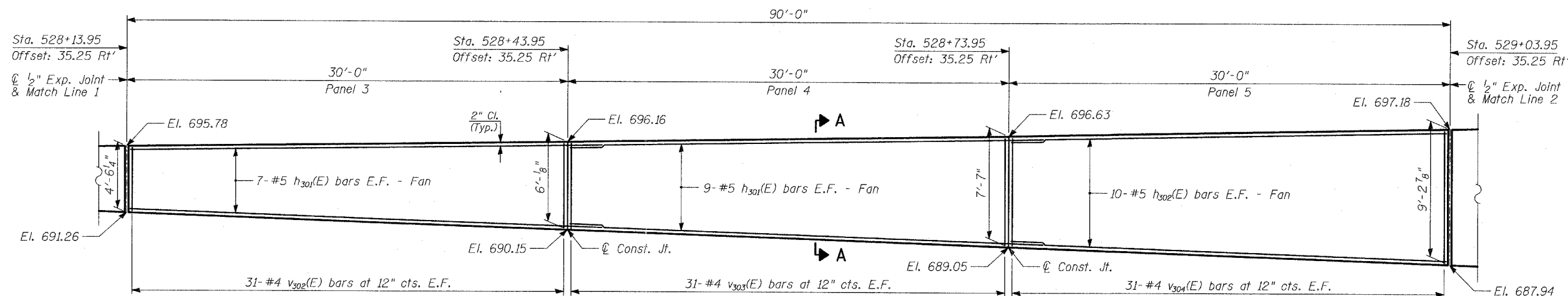


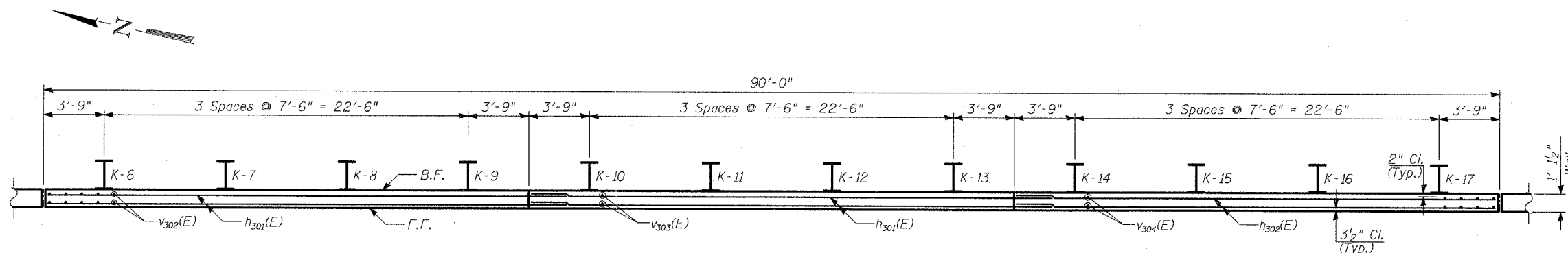
STATE OF ILLINOIS  
DEPARTMENT OF TRANSPORTATION

ROUTE NO.	SECTION	COUNTY	SHEET NO.	SHEET NO.
346		LAKE	469	253
FED. ROAD DIST. NO.		ILLINOIS	FED. AID PROJECT	
125X-HB-(1&2) R-1		CONTRACT # 60826		



**ELEVATION**

(Offsets are Given From US41 SB Baseline to F.F. of Wall)



**PLAN**

**PILE SUMMARY**

Pile Label	Pile Size	Length	Top of Pile Elevation	Bot. of Pile Elevation
K-6	W21x111	34'-4"	694.3	660.0
K-7	W21x111	34'-4"	694.4	660.1
K-8	W21x111	34'-4"	694.5	660.2
K-9	W21x111	34'-4"	694.6	660.2
K-10	W21x111	35'-11"	694.7	658.8
K-11	W21x111	35'-11"	694.8	658.9
K-12	W21x111	35'-11"	695.0	659.0
K-13	W21x111	35'-11"	695.1	659.2
K-14	W21x111	37'-7"	695.2	657.6
K-15	W21x111	37'-7"	695.3	657.7
K-16	W21x111	37'-7"	695.5	657.9
K-17	W21x111	37'-7"	695.6	658.0

**LAP SPLICES**

Bar	Lap
#4	1'-8"
#5	2'-2"
#6	2'-7"
#8	4'-6"

**NOTES:**

1. B.F. - denotes Back Face.
2. E.F. - denotes Each Face.
3. F.F. - denotes Front Face.
4. Work this Sheet with Sheets 5 thru 11 of 15.
5. Pile spacing measured along front face of wall.
6. For Bill of Material, see Sheet 2 of 15.
7. For Section A-A, see Sheet 5 of 15.

TYLIN INTERNATIONAL

DESIGNED	- MB
CHECKED	- AD
DRAWN	- CM
CHECKED	- AD

**WALL K  
PLAN AND ELEVATION  
STA 528+13.95 TO STA 529+03.95**

FAP 346 (U.S. ROUTE 41 - SKOKIE  
HIGHWAY) OVER ILLINOIS ROUTE 132  
SECTION 125X-HB-(1&2)R-1  
LAKE COUNTY  
S.N. 049-W032