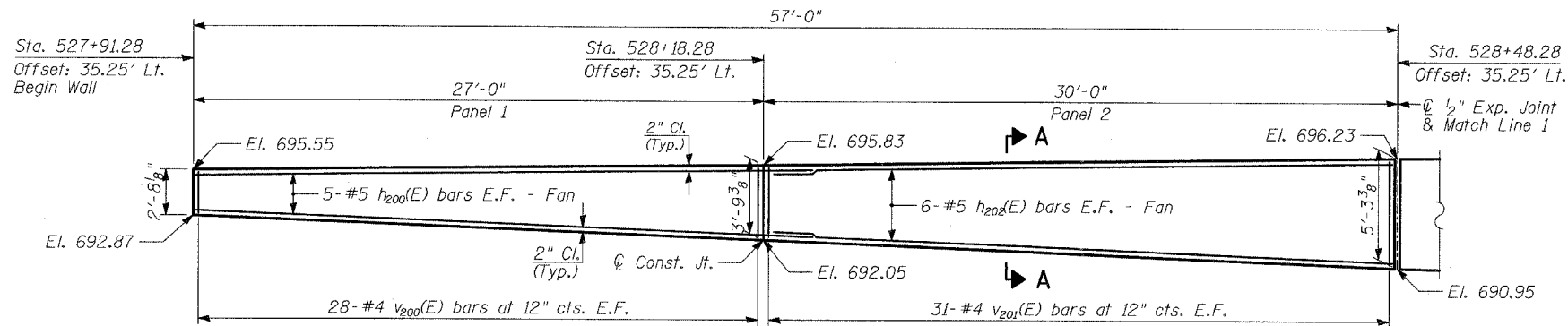


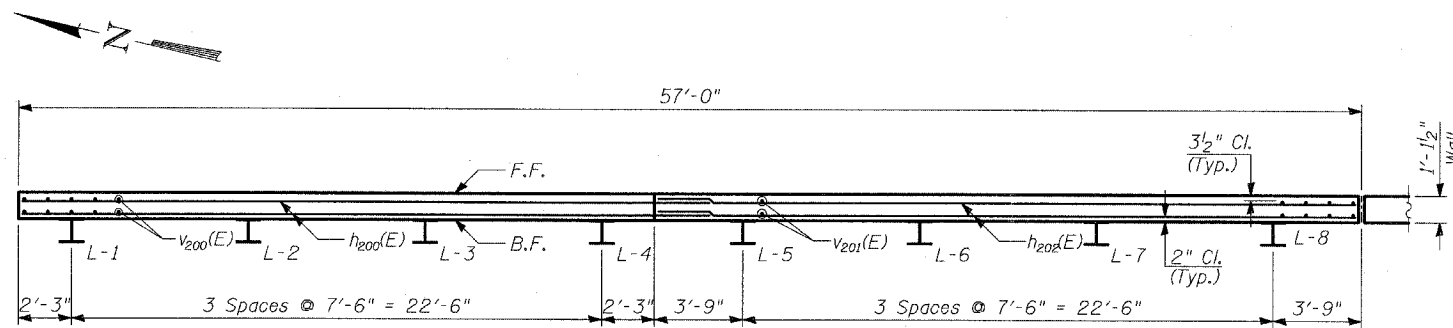
STATE OF ILLINOIS
DEPARTMENT OF TRANSPORTATION

ROUTE NO.	SECTION	COUNTY	TOTAL SHEETS	SHEET NO.	SHEET NO. 2 16 SHEETS
346		LAKE	469	267	
FED. ROAD DIST. NO.		ILLINOIS	FED. AID PROJECT	CONTRACT # 60826	
		125X-HB-(1&2) R-1			



ELEVATION

(Offsets are Given From US41 NB Baseline to F.F. of Wall)



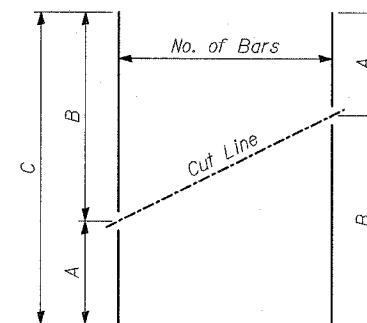
PLAN

BAR TABLE SCHEDULE

Bar	No. of Sets Required	No. of Bars Per Set	A	B	C
v200(E)	1	28	2'-5"	3'-6"	5'-11"
v201(E)	1	31	3'-6"	5'-0"	8'-6"
v202(E)	1	31	5'-0"	6'-7"	11'-7"
v203(E)	1	31	6'-7"	8'-3"	14'-10"
v204(E)	1	31	8'-3"	9'-10"	18'-1"
v205(E)	1	31	9'-10"	11'-4"	21'-2"
v206(E)	1	31	11'-4"	12'-11"	24'-3"
v207(E)	1	22	12'-11"	14'-3"	27'-2"

BILL OF MATERIAL

Bar	Number	Size	Length	Shape
v200(E)	28	#4	5'-11"	
v201(E)	31	#4	8'-6"	
v202(E)	31	#4	11'-7"	
v203(E)	31	#4	14'-10"	
v204(E)	31	#4	18'-1"	
v205(E)	31	#4	21'-2"	
v206(E)	31	#4	24'-3"	
v207(E)	22	#4	27'-2"	
h200(E)	10	#5	29'-0"	
h201(E)	90	#5	32'-0"	
h202(E)	34	#5	29'-8"	
h203(E)	32	#5	21'-2"	
Reinforcement Bars, Epoxy Coated			POUND	7,620
Concrete Structures			CU YD	80
Form Liner Textured Surface			SQ YD	175
Furnishing Soldier Piles (HP Section)			FOOT	168
Furnishing Soldier Piles (W Section)			FOOT	662
Drilling and Setting Soldier Piles (In Soil)			CU FT	4,398



SERIES OF BAR CUTTING DIAGRAM

See table for dimensions.
Order Bars Full Length, Cut as Shown Normal to Bar Axis and Use Remainder of Bars in Opposite Face.

PILE SUMMARY

Pile Label	Pile Size	Length	Top of Pile Elevation	Bot. of Pile Elevation
L-1	HP12x63	20'-3"	694.1	673.8
L-2	HP12x63	20'-3"	694.2	673.9
L-3	HP12x63	20'-3"	694.2	674.0
L-4	HP12x63	20'-3"	694.3	674.1
L-5	HP12x63	21'-8"	694.4	672.7
L-6	HP12x63	21'-8"	694.5	672.8
L-7	HP12x63	21'-8"	694.6	672.9
L-8	HP12x63	21'-8"	694.7	673.0

LAP SPLICES

Bar	Lap
#4	1'-8"
#5	2'-2"
#6	2'-7"
#8	4'-6"

NOTES:

- B.F. - denotes Back Face.
- E.F. - denotes Each Face.
- F.F. - denotes Front Face.
- Work this Sheet with Sheets 5 thru 11 of 16.
- Pile spacing measured along front face of wall.
- For Section A-A, See Sheet 5 of 16.

TYLIN INTERNATIONAL

DESIGNED	- MB
CHECKED	- AD
DRAWN	- TB
CHECKED	- AD

**WALL L
PLAN AND ELEVATION
STA 527+91.28 TO STA 528+48.28**

FAP 346 (U.S. ROUTE 41 - SKOKIE
HIGHWAY) OVER ILLINOIS ROUTE 132
SECTION 125X-HB-(1&2)R-1
LAKE COUNTY
S.N. 049-W033