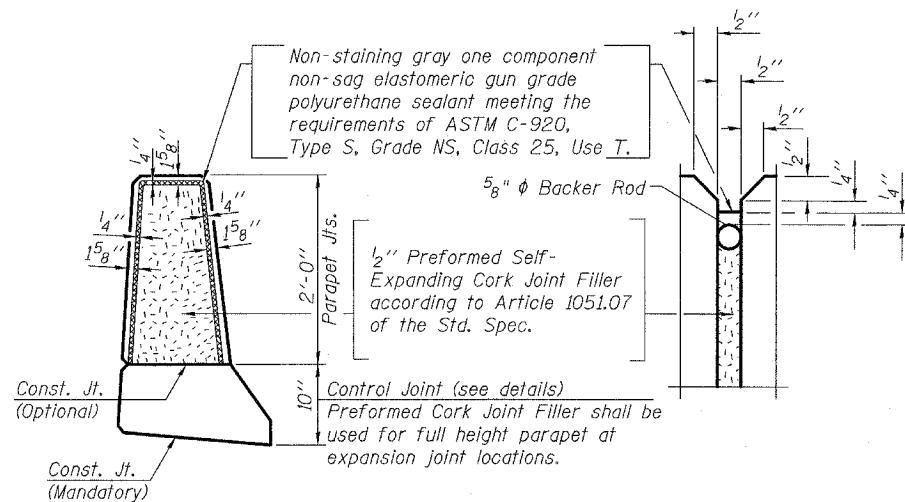


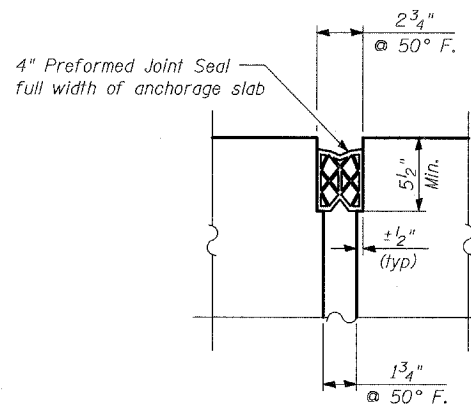
STATE OF ILLINOIS
DEPARTMENT OF TRANSPORTATION

ROUTE NO.	SECTION	COUNTY	TOTAL SHEETS	SHEET NO.	SHEET NO. - 10
346	•	LAKE	469	275	16 SHEETS
FED. ROAD DIST. NO.		ILLINOIS	FED. AID PROJECT		
• 125X-HB-(1&2) R-1		CONTRACT # 60826			



PARAPET JOINT DETAILS

(Cost included with Concrete Superstructure)

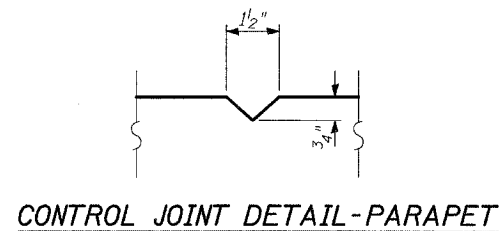
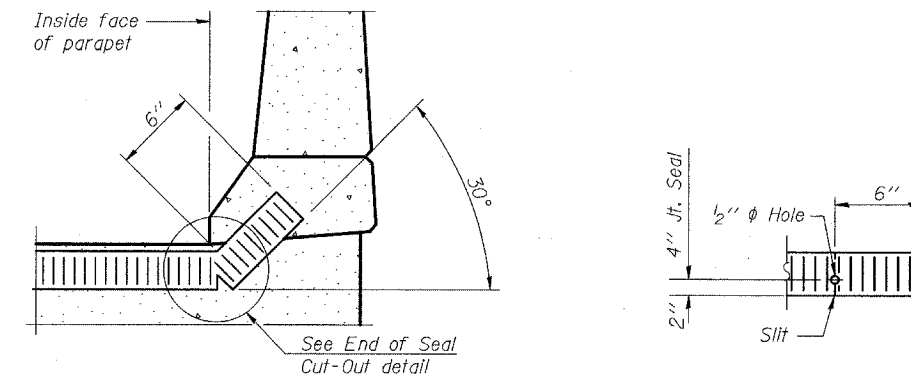


SECTION

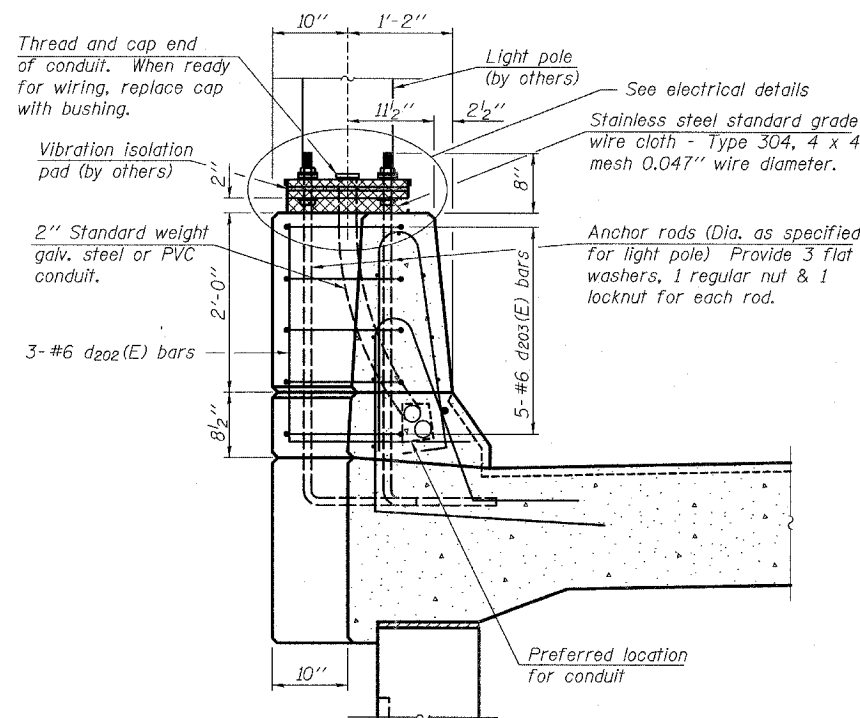
PREFORMED JOINT SEAL

END OF SEAL TREATMENT AT PARAPET

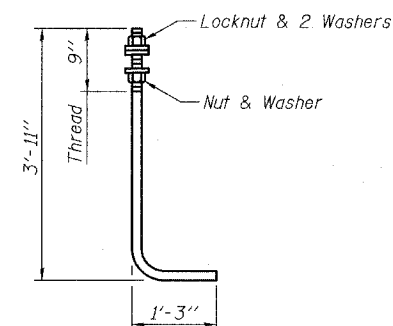
END OF SEAL CUT-OUT



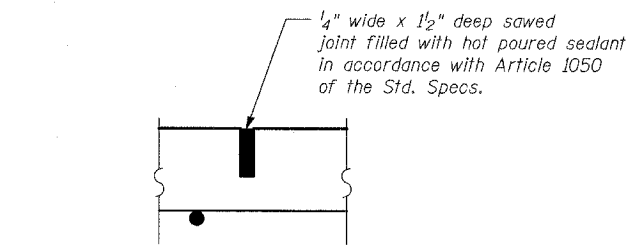
DETAIL - EXPANSION JOINT IN SLAB



SECTION A-A

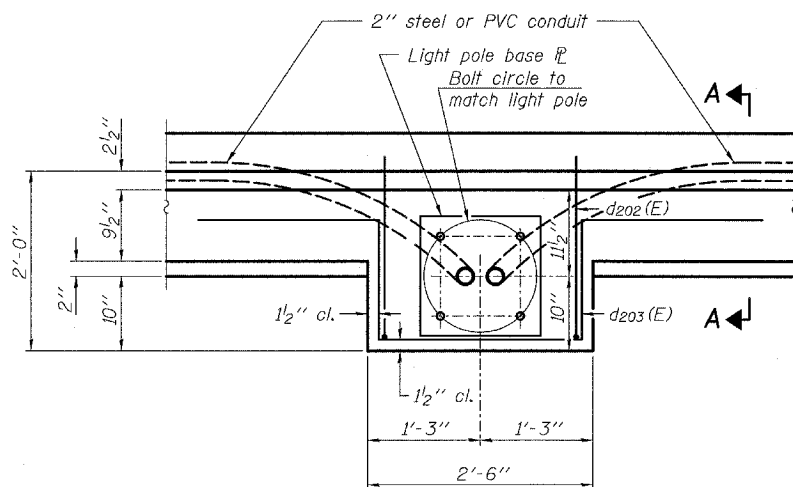


ANCHOR ROD
Diameter as specified for light poles.
(ASTM F 1554 Grade 105)



CONTROL JOINT DETAIL-SLAB

(Cost included with Concrete Structures)

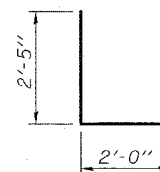


PLAN

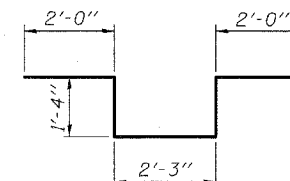
Note:
Cost of anchor rods and conduit is included with Concrete Superstructure.

TYLIN INTERNATIONAL

DESIGNED	- MB, MAF
CHECKED	- AD
DRAWN	- CM, MAF
CHECKED	- AD



BAR d₂₀₂(E)



BAR d₂₀₃(E)

**WALL L
MISCELLANEOUS DETAILS**

FAP 346 (U.S. ROUTE 41 - SKOKIE
HIGHWAY) OVER ILLINOIS ROUTE 132
SECTION 125X-HB-(1&2)R-1
LAKE COUNTY
S.N. 049-W033