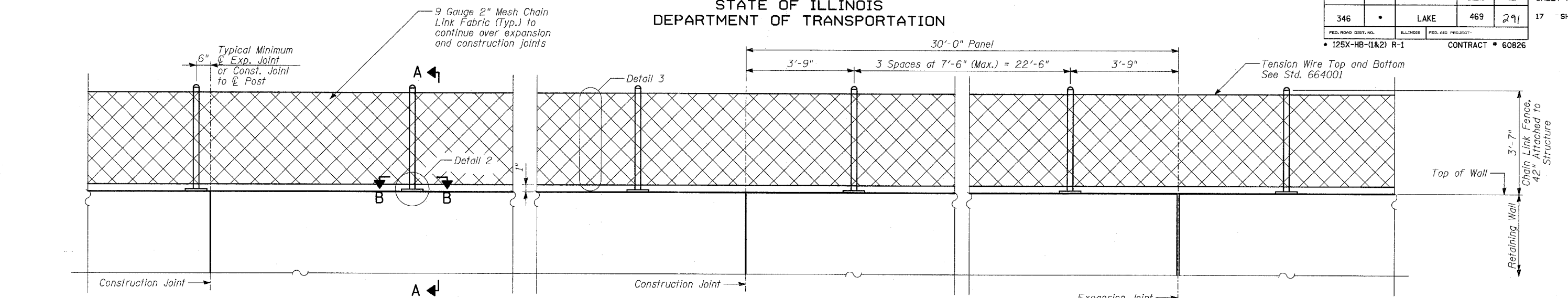
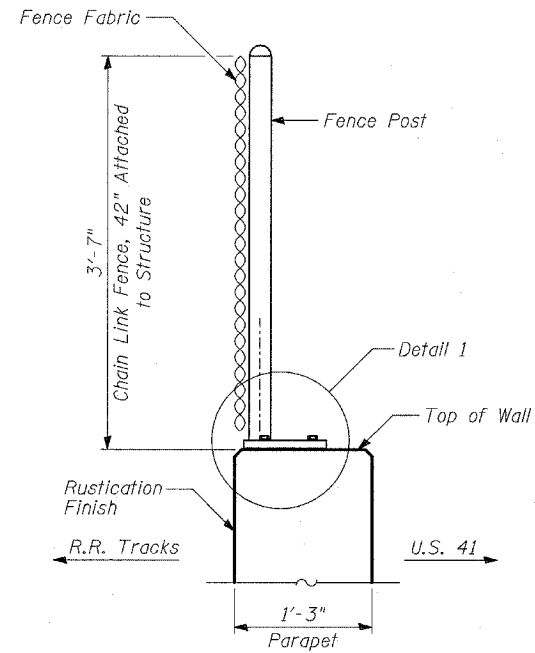


STATE OF ILLINOIS
DEPARTMENT OF TRANSPORTATION

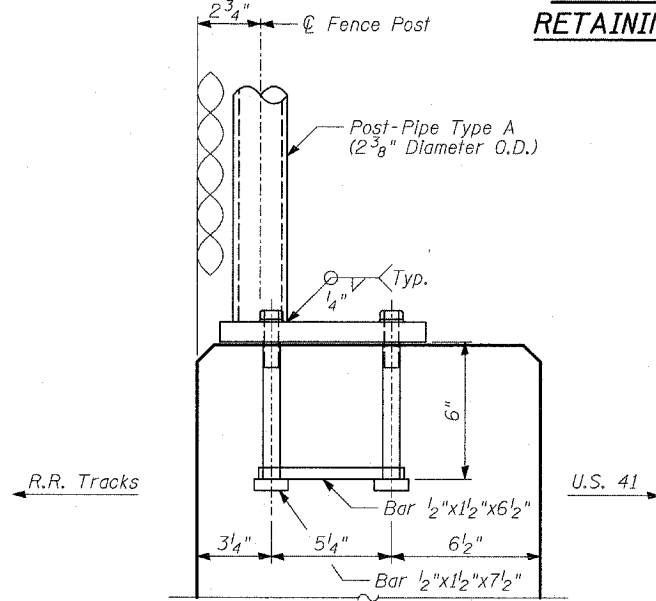
ROUTE NO.	SECTION	COUNTY	LENG.	SHEET NO.	SHEET NO. - 10 17 SHEETS
346	*	LAKE	469	291	
FED. ROAD DIST. NO.	ILLINOIS	FED. AID PROJECT			
		• 125X-HB-(1&2) R-1	CONTRACT # 60826		



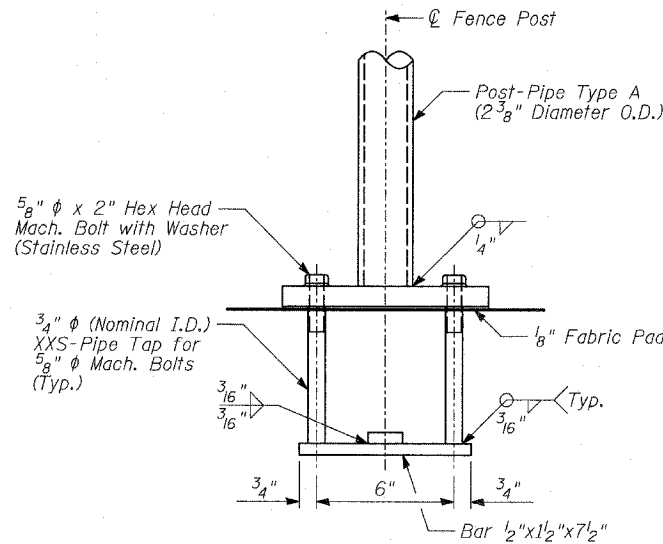
**BACK FACE ELEVATION - TOP OF
RETAINING WALL CHAIN LINK FENCE**



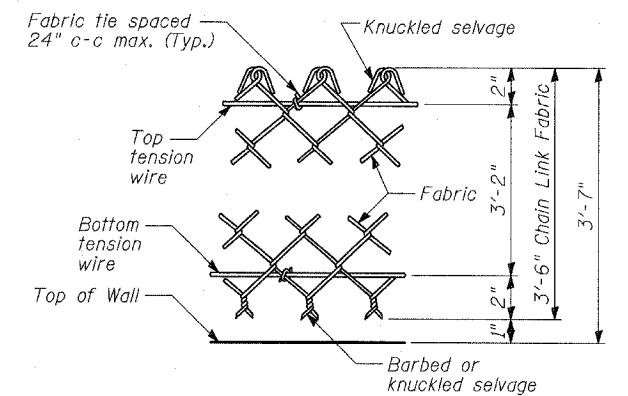
SECTION A-A



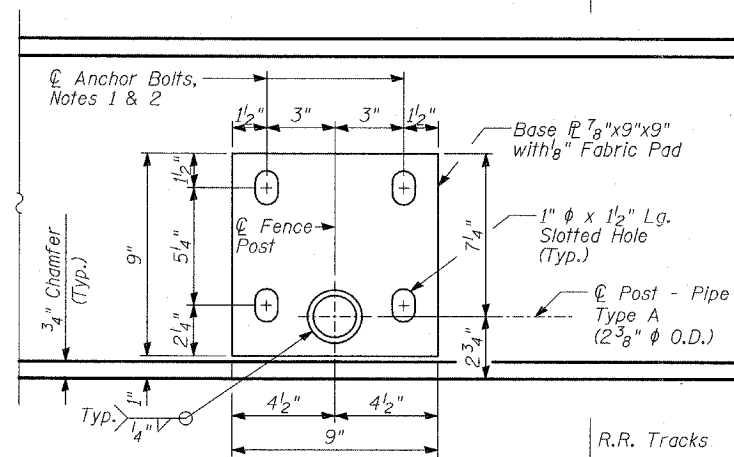
DETAIL 1



DETAIL 2



DETAIL 3



**SECTION B-B
BASE PLATE PLAN**

ITEM	UNIT	TOTAL
Chain Link Fence, 42" Attached to Structure	FOOT	450

BILL OF MATERIAL

NOTES:

- In lieu of the cast-in-place anchor bolt assembly shown, the Contractor has the option of drilling and epoxy grouting 5/8" diameter anchor rods with 1/4" diameter washers. The Contractor shall use the capsule or the adhesive cartridge type anchor rods that have been previously tested and given prior approval by the Department. The Contractor shall install these anchor rods in pre-drilled holes according to the manufacturer's recommendations and procedures. The capsule or adhesive cartridge shall be sealed with pre-measured amounts of adhesive chemical. Anchor rod threading to be peened after nuts are installed.
- For additional chain link details, see Standard 664001.
- Adjust fence and post spacing to clear light pole.

TYLIN INTERNATIONAL

DESIGNED	- MB
CHECKED	- AD
DRAWN	- CM
CHECKED	- AD

CHAIN LINK FENCE DETAILS

FAP 346 (U.S. ROUTE 41 - SKOKIE
HIGHWAY) OVER ILLINOIS ROUTE 132
SECTION 125X-HB-(1&2)R-1
LAKE COUNTY
S.N. 049-W034