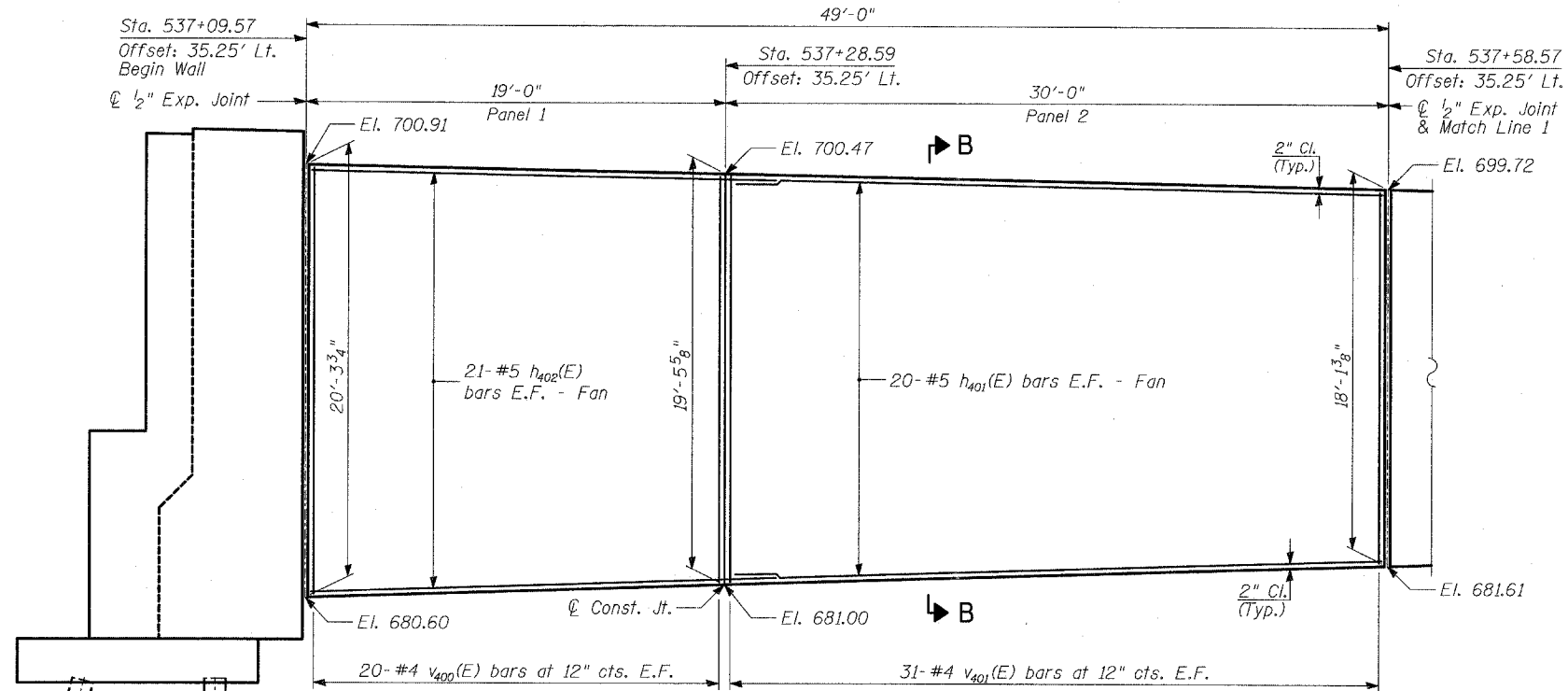


STATE OF ILLINOIS
DEPARTMENT OF TRANSPORTATION

ROUTE NO.	SECTION	COUNTY	TOTAL SHEETS	SHEET NO.	SHEET NO. - 2
346	*	LAKE	469	315	21 SHEETS
FED. ROAD DIST. NO.	ILLINOIS	FED. AID PROJECT	CONTRACT # 60826		
* 125X-HB-(1&2) R-1					



ELEVATION

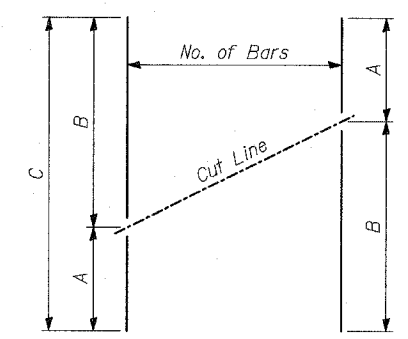
(Offsets are Given From US41 SB Baseline to F.F. of Wall)

BAR TABLE SCHEDULE

Bar	No. of Sets Required	No. of Bars Per Set	A	B	C
V400(E)	1	20	20'-0"	19'-2"	39'-2"
V401(E)	1	31	19'-2"	17'-10"	37'-0"
V402(E)	1	31	17'-10"	16'-7"	34'-5"
V403(E)	1	31	16'-7"	15'-2"	31'-9"
V404(E)	1	31	15'-2"	13'-7"	28'-9"
V405(E)	1	31	13'-7"	11'-11"	25'-6"
V406(E)	1	31	11'-11"	10'-4"	22'-3"
V407(E)	1	31	10'-4"	9'-1"	19'-5"
V408(E)	1	31	9'-1"	7'-9"	16'-10"
V409(E)	1	31	7'-9"	5'-6"	13'-3"
V410(E)	1	31	5'-6"	4'-6"	10'-0"
V411(E)	1	31	4'-6"	3'-6"	8'-0"
V412(E)	1	31	3'-6"	2'-7"	6'-1"

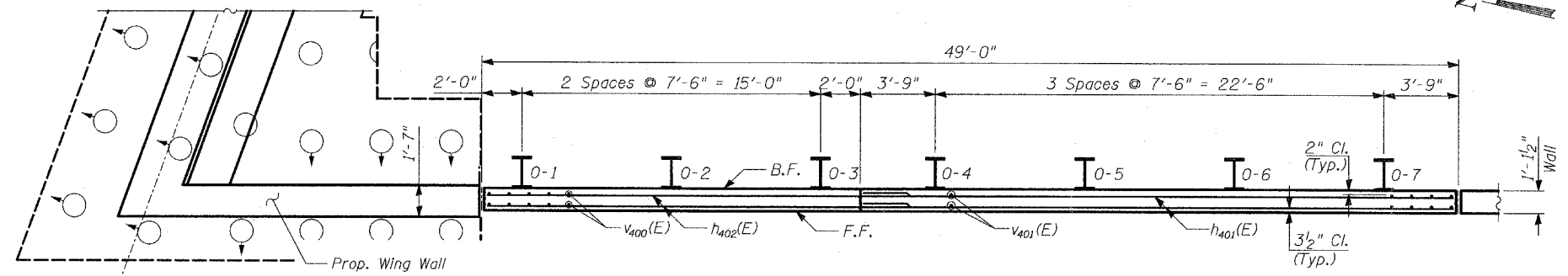
BILL OF MATERIAL

Bar	Number	Size	Length	Shape
V400(E)	20	#4	39'-2"	
V401(E)	31	#4	37'-0"	
V402(E)	31	#4	34'-5"	
V403(E)	31	#4	31'-9"	
V404(E)	31	#4	28'-9"	
V405(E)	31	#4	25'-6"	
V406(E)	31	#4	22'-3"	
V407(E)	31	#4	19'-5"	
V408(E)	31	#4	16'-10"	
V409(E)	31	#4	13'-3"	
V410(E)	31	#4	10'-0"	
V411(E)	31	#4	8'-0"	
V412(E)	31	#4	6'-1"	
h400(E)	172	#5	32'-0"	
h401(E)	130	#5	29'-8"	
h402(E)	42	#5	21'-0"	
Reinforcement Bars, Epoxy Coated		Pound	16,460	
Concrete Structures		CU YD	180	
Anti-Graffiti Coating		SQ FT	5,262	
Furnishing Soldier Piles (W Section)		FOOT	1,802	
Drilling and Setting Soldier Piles (in Soil)		CU FT	9,220	



SERIES OF BAR CUTTING DIAGRAM

See table for dimensions.
Order Bars Full Length, Cut as Shown Normal to Bar Axis and Use Remainder of Bars in Opposite Face.



PLAN

PILE SUMMARY

Pile Label	Pile Size	Length	Top of Pile Elevation	Bot. of Pile Elevation
0-1	W18x119	37'-9"	699.4	661.6
0-2	W18x119	37'-9"	699.2	661.4
0-3	W18x119	37'-9"	699.0	661.3
0-4	W18x119	36'-10"	698.9	662.0
0-5	W18x119	36'-10"	698.7	661.9
0-6	W18x119	36'-10"	698.5	661.7
0-7	W18x119	36'-10"	698.3	661.5

TYLIN INTERNATIONAL

DESIGNED	- MB
CHECKED	- AD
DRAWN	- TB
CHECKED	- AD

LAP SPLICES

Bar	Lap
#4	1'-8"
#5	2'-2"
#6	2'-7"
#8	4'-6"

NOTES:

1. B.F. - denotes Back Face.
2. E.F. - denotes Each Face.
3. F.F. - denotes Front Face.
4. Work this Sheet with Sheets 7 thru 14 of 21.
5. Pile spacing measured along front face of wall.
6. For Section B-B, see Sheet 8 of 21.

**WALL 0
PLAN AND ELEVATION
STA 537+09.59 TO STA 537+58.57**

FAP 346 (U.S. ROUTE 41 - SKOKIE HIGHWAY) OVER ILLINOIS ROUTE 132
SECTION 125X-HB-(1&2)R-1
LAKE COUNTY
S.N. 049-W036