

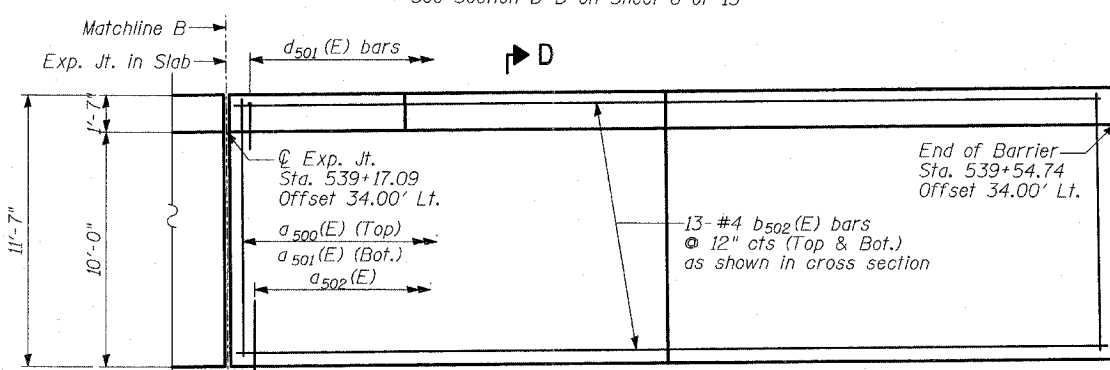
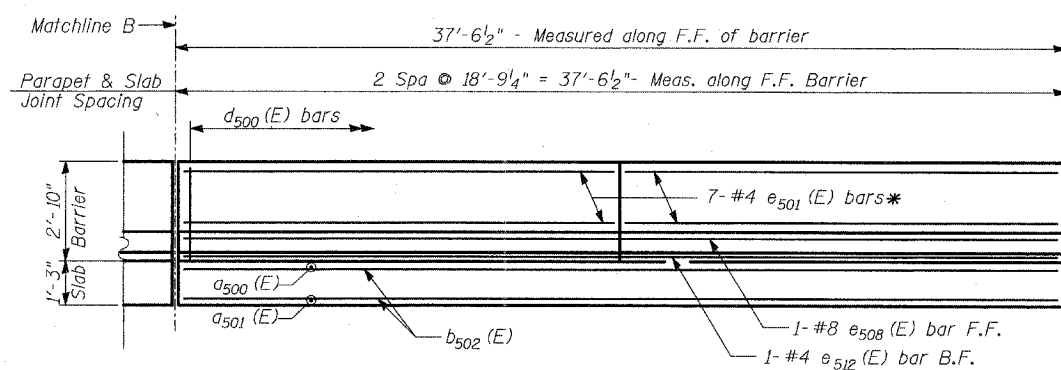
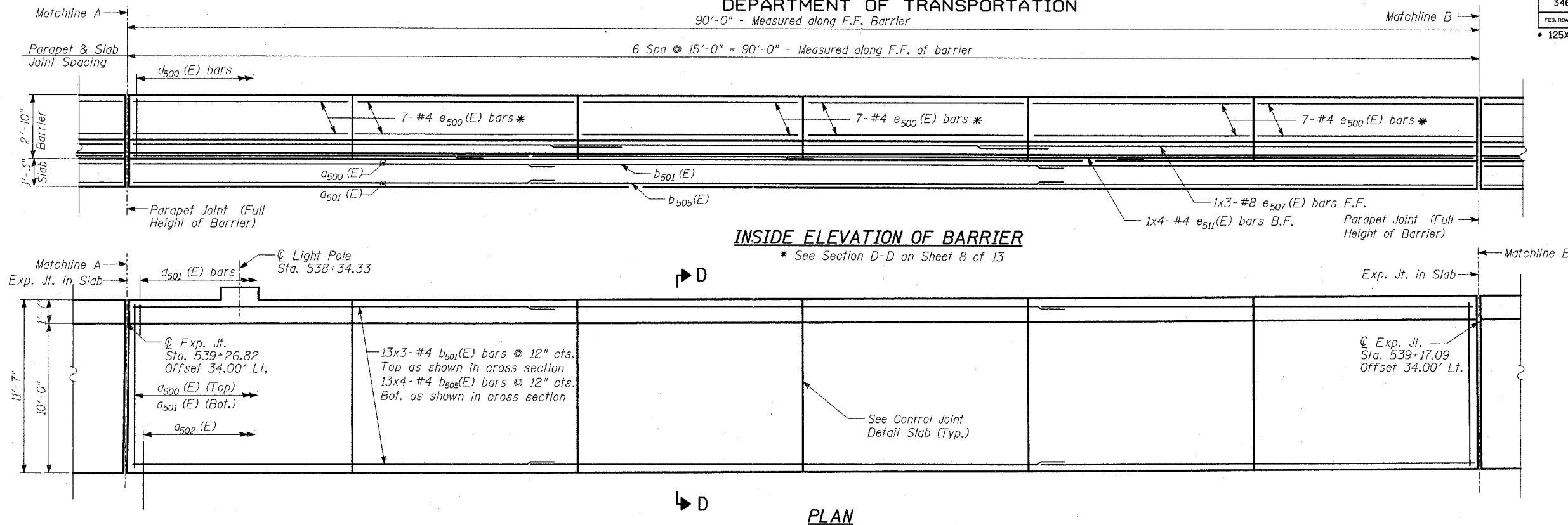
STATE OF ILLINOIS
DEPARTMENT OF TRANSPORTATION

90'-0" - Measured along F.F. Barrier

6 Spa @ 15'-0" = 90'-0" - Measured along F.F. of barrier

ROUTE NO.	SECTION	COUNTY	TOTAL SHEETS	SHEET NO.	SHEET NO. - 9 16 SHEETS
346	*	LAKE	469	343	
FED. ROAD DIST. NO.	ELLIPSES	FED. AID PROJECT-	CONTRACT # 60826		

125X-HB-(1&2) R-1



LAP SPLICES

Bar	Lap
#4	1'-8"
#5	2'-2"
#6	2'-7"
#8	4'-6"

WALL P
ANCHORAGE SLAB AND PARAPET
(2 OF 2)

FAP 346 (U.S. ROUTE 41 - SKOKIE
HIGHWAY) OVER ILLINOIS ROUTE 132
SECTION 125X-HB-(1&2)R-1
LAKE COUNTY
S.N. 049-W037

TYLIN INTERNATIONAL

DESIGNED	- MB
CHECKED	- AD
DRAWN	- DE
CHECKED	- AD

NOTES

- Offsets are measured from @ & P.G.L. NB US 41.
- Work this sheet with Sheets 8 and 10 of 16.
- See Sheet 10 of 16 for Light Pole Mount Details.
- Bars indicated thus 20x3-#5 etc. indicates 20 lines of bars with 3 lengths per line.
- Bar a502(E) shall be installed in accordance with Article 420.10(b) of the Standard Specifications. Cost shall be included in the unit price of Concrete Superstructure.