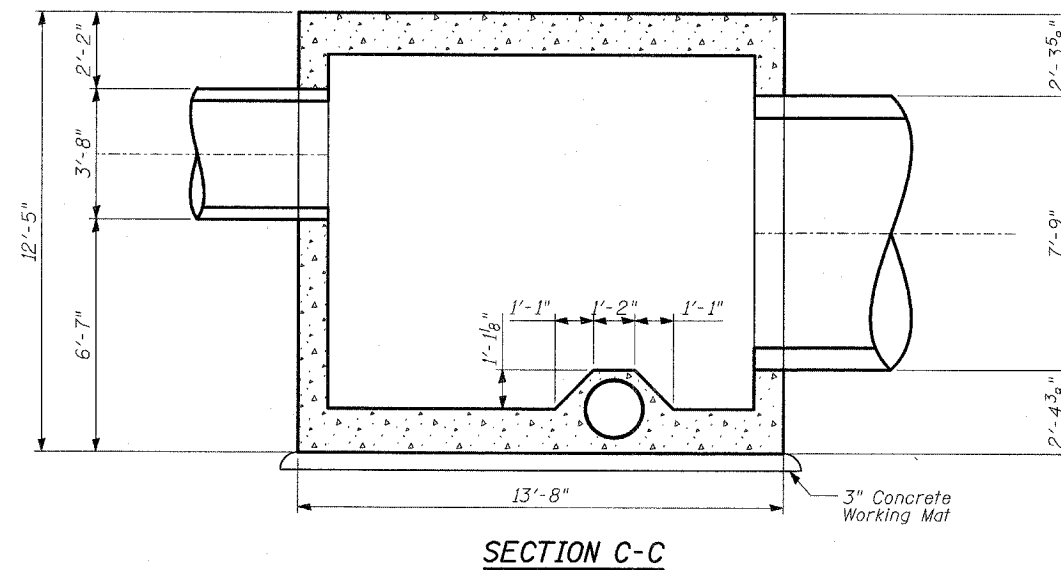
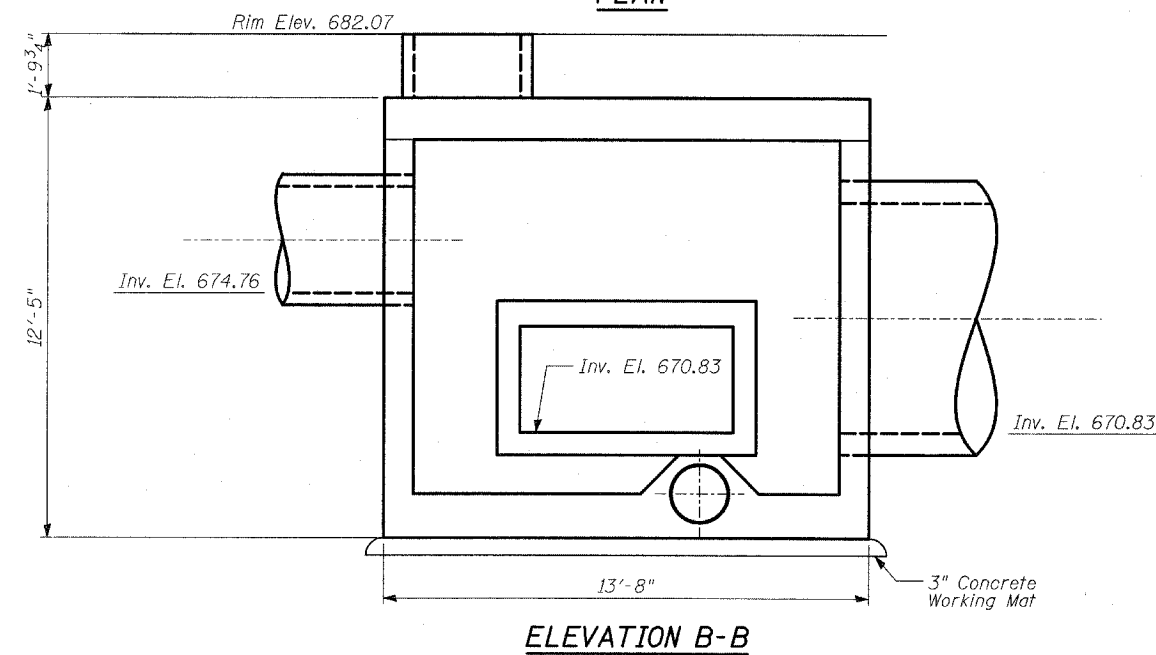
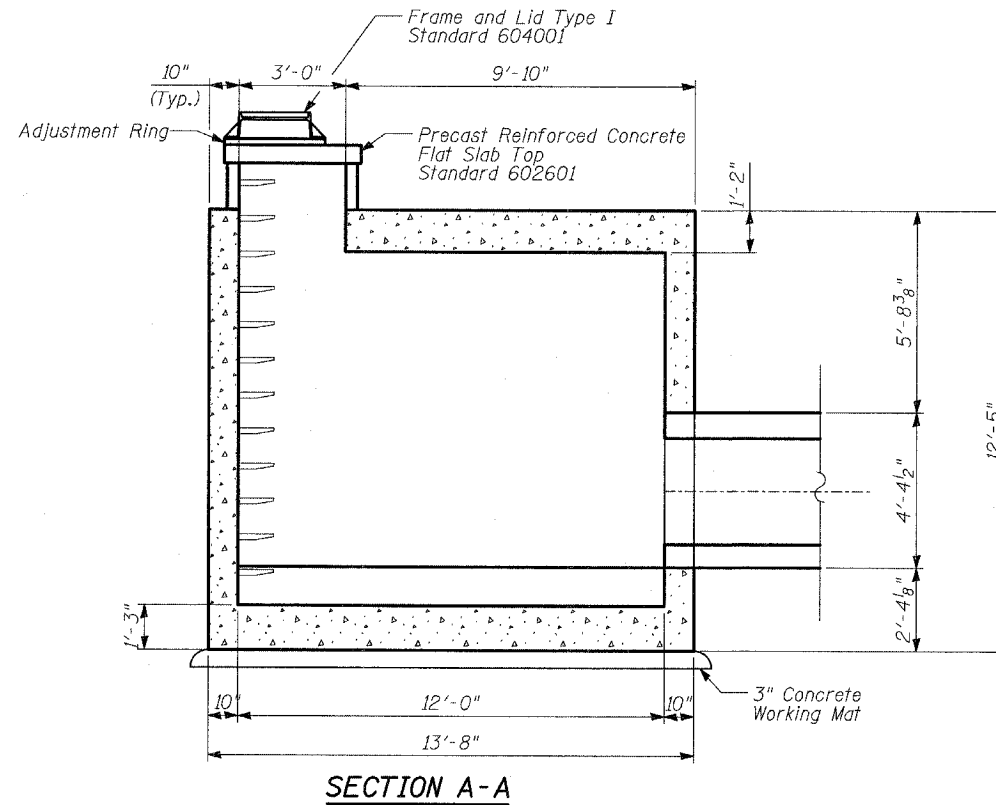
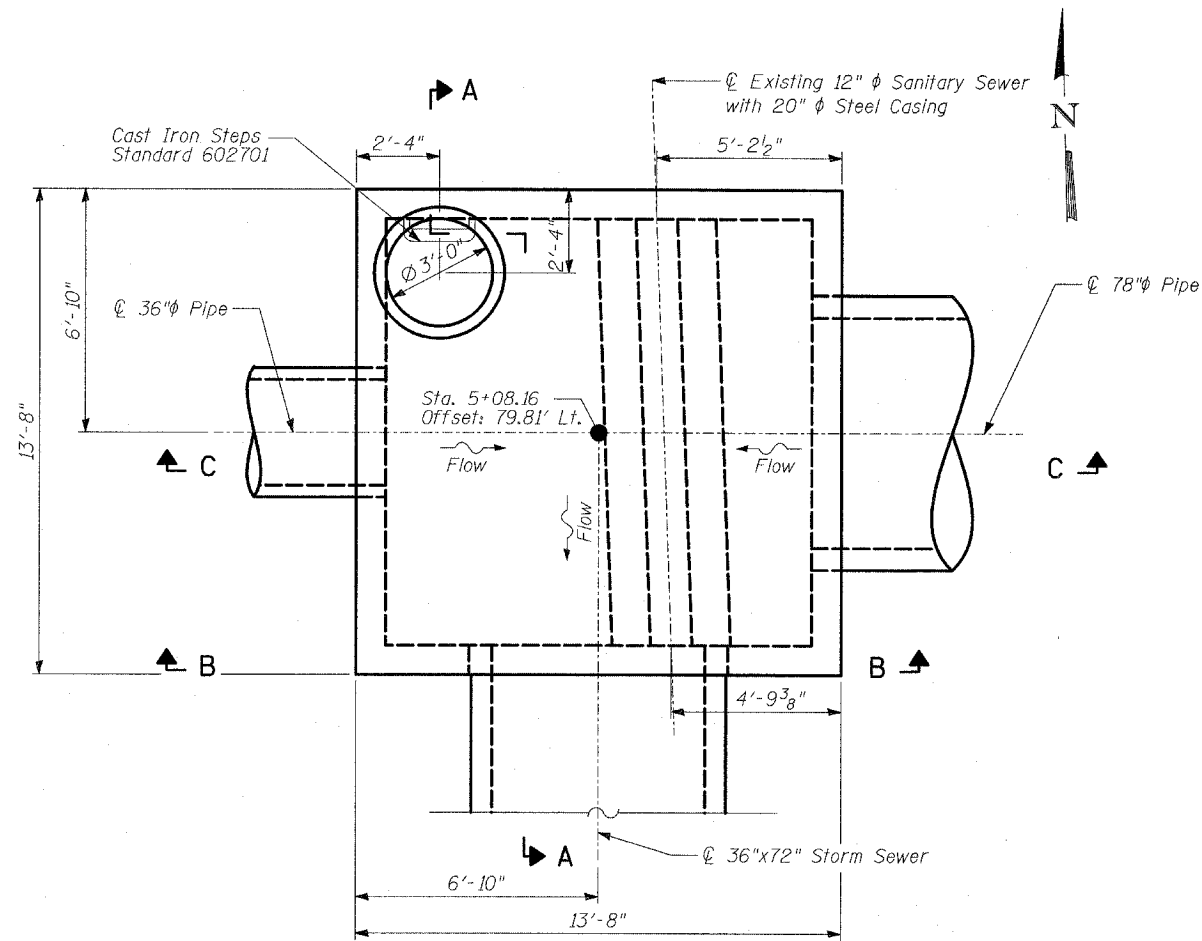


STATE OF ILLINOIS  
DEPARTMENT OF TRANSPORTATION

ROUTE NO.	SECTION	COUNTY	TOTAL SHEETS	SHEET NO.	SHEET NO. - 1
346	•	LAKE	469	366	3 SHEETS
FED. ROAD DIST. NO.	ILLINOIS	FED. AID PROJECT	CONTRACT # 60826		
• 125X-HB-(1&2) R-1					



**DESIGN SPECIFICATIONS**  
2002 AASHTO Standard Specifications  
For Highway Bridges

**DESIGN STRESSES**

**FIELD UNITS**

$f'_c = 3,500$  psi  
 $f_y = 60,000$  psi (reinforcement)  
 $f_y = 36,000$  psi (structural steel M270 Grade 36)

**NOTES:**

- The Contractor shall verify the location of all underground utilities before submitting the temporary soil retention system drawings.
- For additional information, see Standard Specifications.
- For reinforcement details, see Sheets 2 and 3 of 3.
- All pipe openings are based on ASTM C76, coordinate openings with pipe supplier for proper fit.
- The maximum width of the temporary soil retention system shall be the width of the junction chamber plus 4 feet. The maximum length of the temporary soil retention system shall be the length of junction chamber plus 4 feet.
- The design of the temporary soil retention system is the responsibility of the Contractor. The Contractor shall submit design calculations and details to the Engineer for approval. The design calculations shall be signed and sealed by an Illinois licensed Structural Engineer, submitted and approved prior to the start of any work. The Engineer's approval shall not relieve the Contractor of responsibility for the safety of the excavation.
- Retention systems placed within 10 feet of a watermain must remain in place permanently.

**BILL OF MATERIAL**

ITEM	UNIT	J.C. 51
Porous Granular Embankment	CU YD	82
Junction Chamber	EACH	1
Temporary Soil Retention System	SQ FT	1,023

**JUNCTION CHAMBER 51  
GENERAL PLAN AND ELEVATION**

FAP 346 (U.S. ROUTE 41 - SKOKIE  
HIGHWAY) OVER ILLINOIS ROUTE 132  
SECTION 125X-HB-(1&2)R-1  
LAKE COUNTY  
S.N.

TYLIN INTERNATIONAL

DESIGNED	- DE
CHECKED	- PL
DRAWN	- DE
CHECKED	- PL



Signed *Paul Lopez*  
Paul A. Lopez, S.E., Ill. Lic. No. 081-006523  
Expires 11-30-2008. For drawings 1 thru 3 of 3  
Date 5/14/08