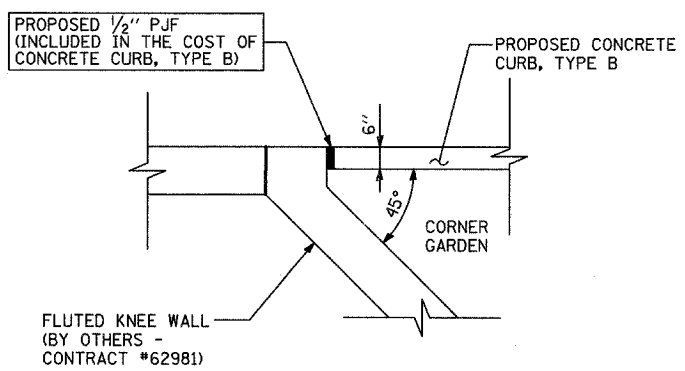
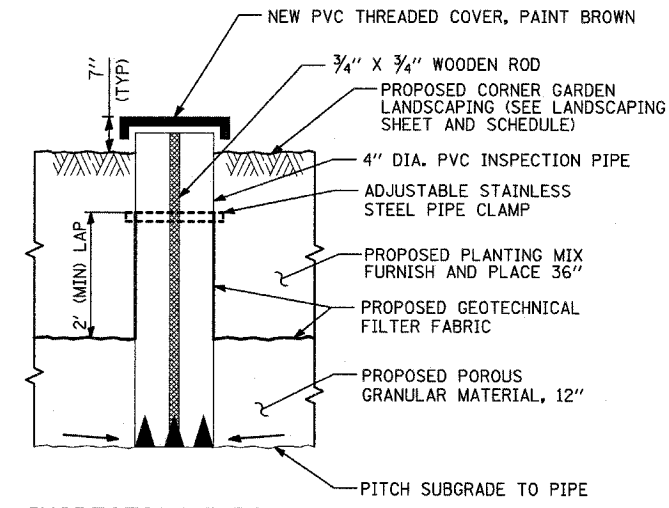


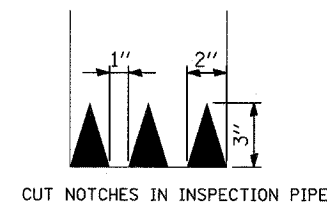
SW CORNER GARDEN AT 79TH STREET



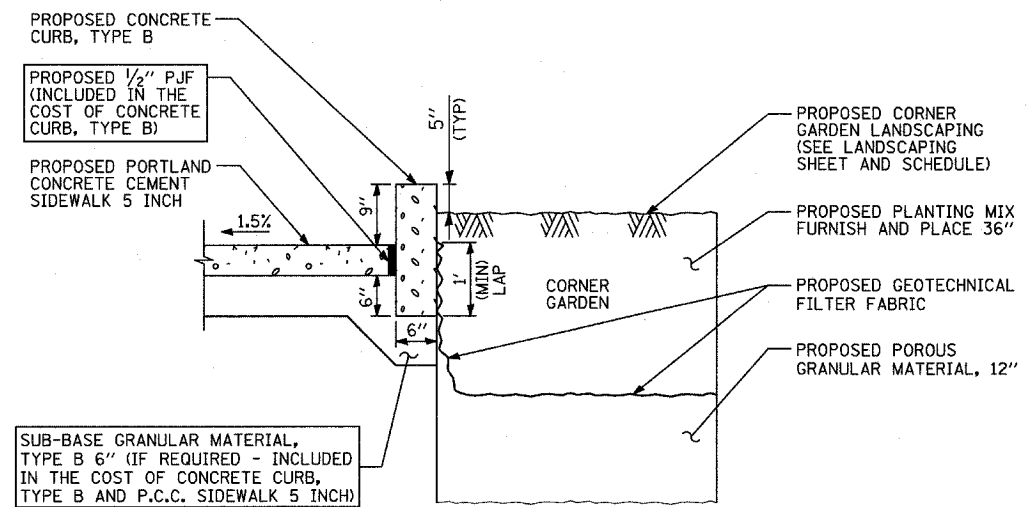
DETAIL A



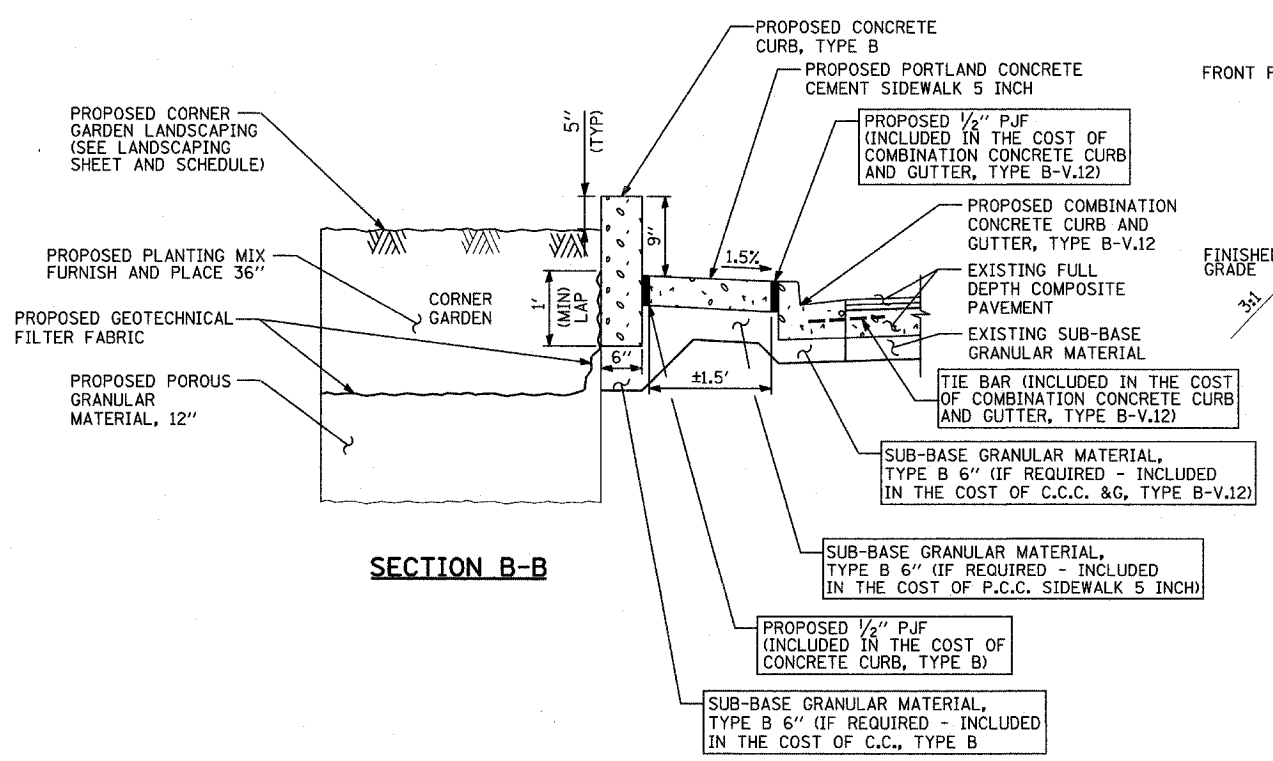
INSPECTION PIPE, 4"



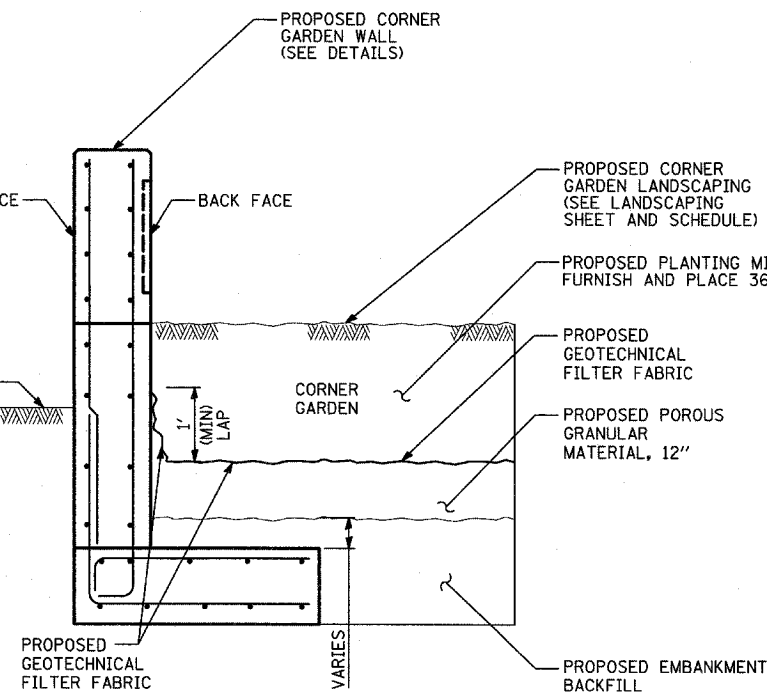
DRAIN SLEEVE ELEVATION



SECTION A-A



SECTION B-B



SECTION C-C

TYLIN INTERNATIONAL

| REVISIONS | |
|-----------|------|
| NAME | DATE |
| | |
| | |
| | |
| | |
| | |
| | |
| | |
| | |
| | |

ILLINOIS DEPARTMENT OF TRANSPORTATION
F.A.I. 94 (DAN RYAN EXPRESSWAY)

SW CORNER GARDEN DETAIL
AT 79th STREET AND LAFAYETTE AVENUE

SCALE: NOT TO SCALE
DATE: MAY 1, 2008
DRAWN BY: AMB
CHECKED BY: TGB