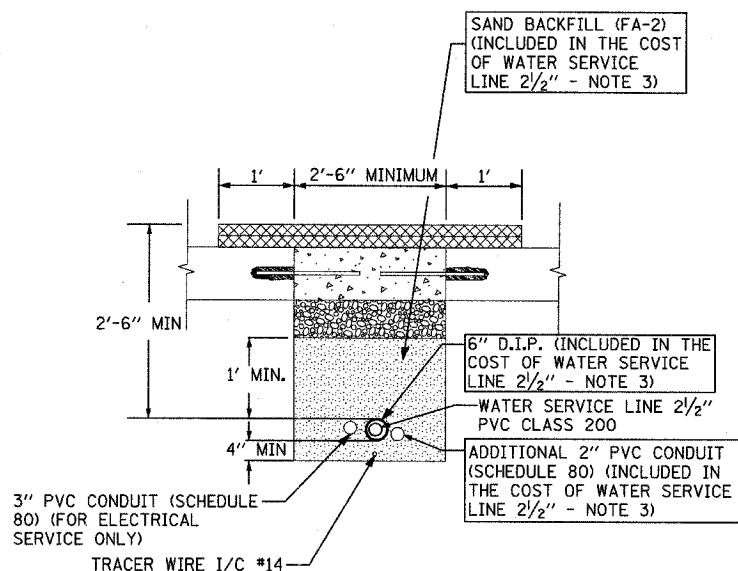
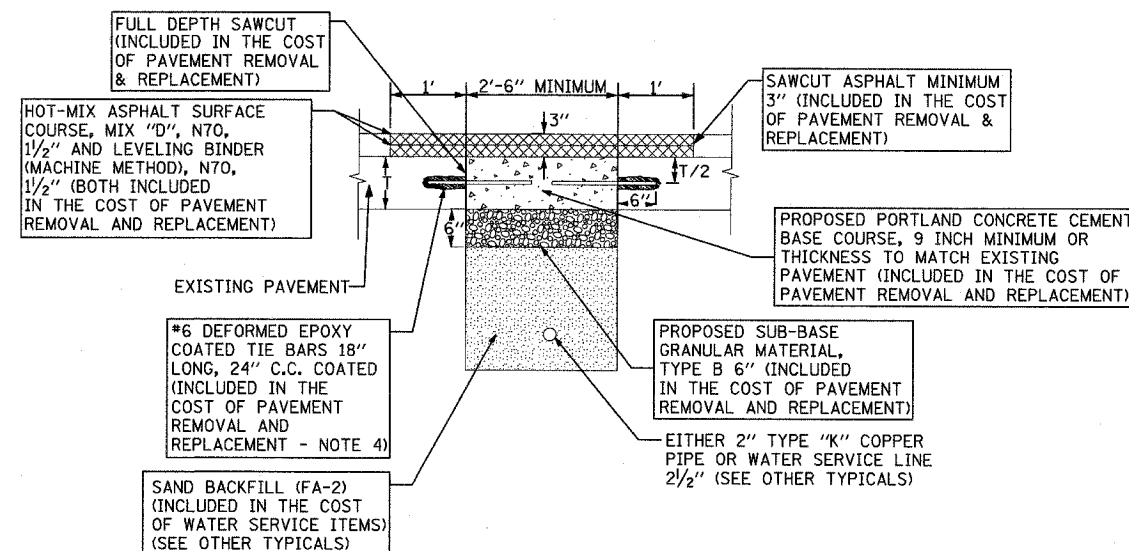


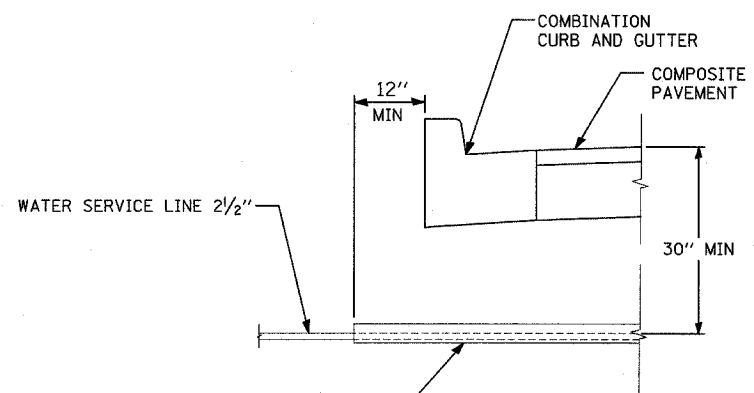
2" TYPE "K" COPPER PIPE (INCLUDED IN THE COST OF WATER TAP, 2 INCH) - PAVEMENT SECTION
N.T.S.



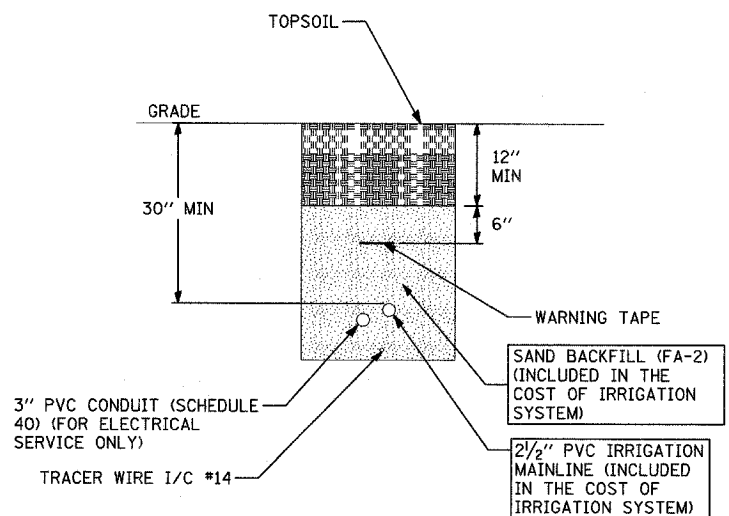
WATER SERVICE LINE 2 1/2" PVC CLASS 200 - PAVEMENT SECTION
N.T.S.



PAVEMENT REMOVAL & REPLACEMENT - TYPICAL
N.T.S.



SLEEVING INSTALLATION REQUIREMENTS WITH CURB
N.T.S.



TYPICAL SECTION OF 2 1/2" IRRIGATION MAINLINE IN GATEWAY

- NOTES:**
1. ALL TIE BARS TO BE EPOXY COATED (INCLUDED IN THE COST OF PAVEMENT REMOVAL AND REPLACEMENT).
 2. ADDITIONAL ONE FOOT (1') OF HOT-MIX ASPHALT SURFACE REMOVAL ON EITHER SIDE OF CONCRETE PATCH SHALL BE REMOVED PRIOR TO PLACING HOT-MIX ASPHALT SURFACE COURSE.
 3. PIPE BEDDING, TAMPED IN PLACE 4" MINIMUM UNDER PIPE AND 1'-0" ABOVE TOP OF PIPE, SHALL BE WELL SPADED ON BOTH SIDES OF PIPE.
 4. TIE BARS MAY BE DELETED SUBJECT TO APPROVAL BY THE ENGINEER.
 5. ALL CONTROL WIRING MUST BE PLACED INSIDE 3" SCHEDULE 80 PVC PIPE FOR ALL PAVED AREA CROSSINGS. THIS WORK AND MATERIALS SHALL CONFORM TO THE NATIONAL ELECTRICAL CODE REQUIREMENTS. THE COST OF THIS WORK WILL BE INCLUDED IN COST OF IRRIGATION SYSTEM.

REVISIONS	
NAME	DATE