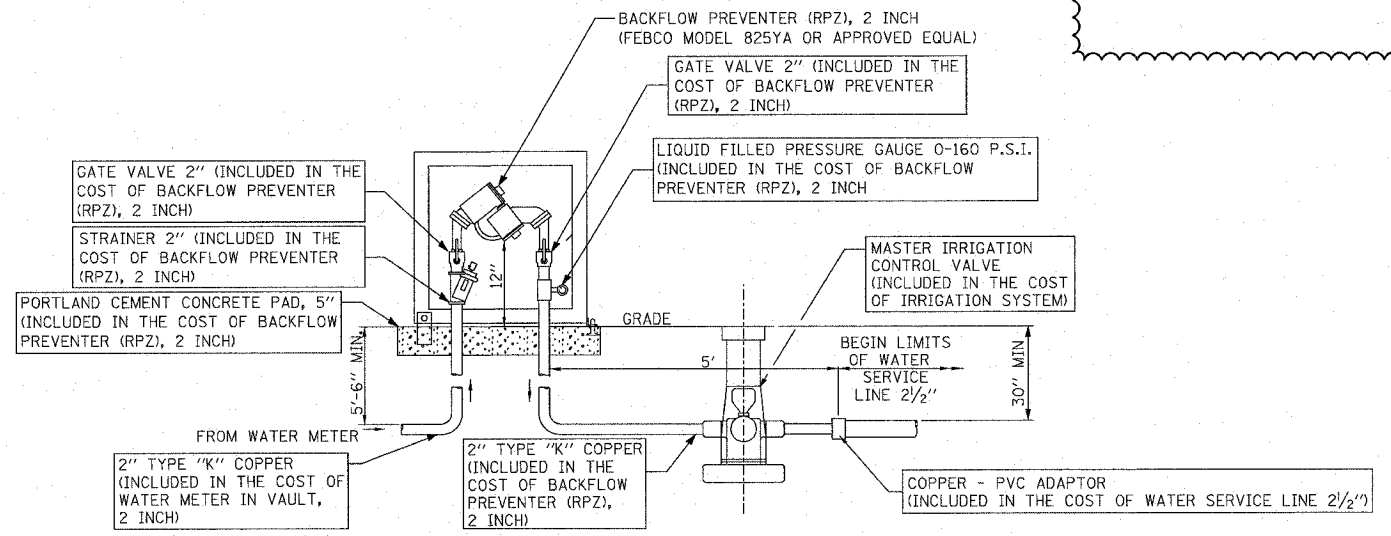
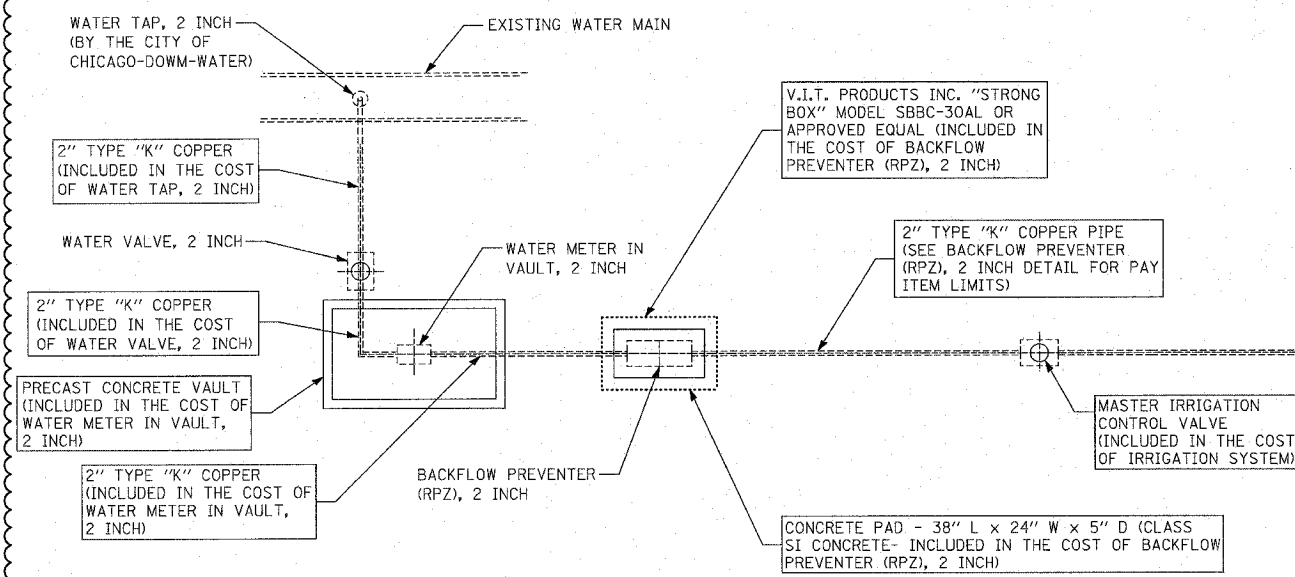


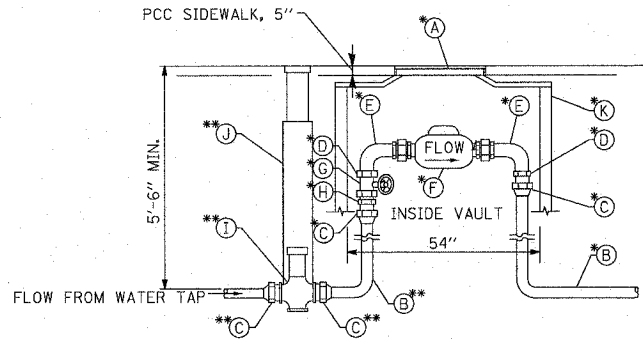
TYPICAL METER INSTALLATION FOR 2" WATER SERVICE WITH BACK FLOW PREVENTER (RPZ), 2 INCH



BACKFLOW PREVENTER (RPZ), 2 INCH INSTALLATION LAYOUT



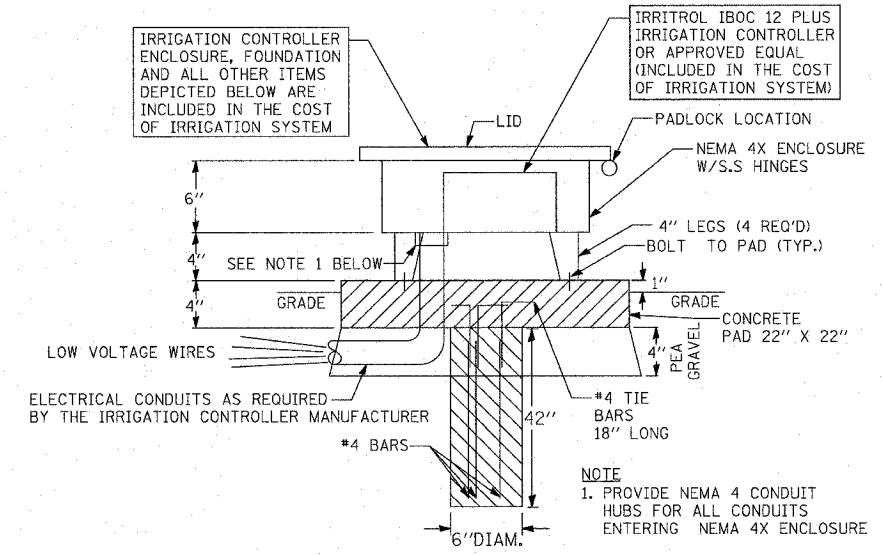
WATER SERVICE CONNECTION PLAN (TYPICAL EQUIPMENT LAYOUT PLAN)



NEW COPPER 2" WATER SERVICE STANDARD METER VAULT

A	FRAME AND LID (NEENAH R6662)
B	2" TYPE "K" COPPER PIPE
C	FEMALE FLARED FITTING
D	BRASS BUSHING
E	BENT METER COUPLING
F	METER
G	FULL PORT CONTROL VALVE
H	MALE I.P.S. TO FLARED ADAPTER
I	ROUNDWAY
J	WATER VALVE ASSEMBLY
K	PRECAST CONCRETE VAULT

** ITEMS ARE INCLUDED IN THE COST OF WATER METER IN VAULT, 2 INCH
 ** ITEMS ARE INCLUDED IN THE COST OF WATER VALVE 2 INCH



IRRIGATION CONTROLLER NEMA 4X ENCLOSURE - DETAIL N.T.S.

BOWMAN, BARRETT & ASSOCIATES INC.
 CONSULTING ENGINEERS
 Chicago, Illinois
 312.228.0100
 www.bbandainc.com

REVISIONS	
NAME	DATE
REVISOR	5/30/08

ILLINOIS DEPARTMENT OF TRANSPORTATION
 F.A.I. 94/90 (DAN RYAN EXPRESSWAY)
 GATEWAY LANDSCAPING & IRRIGATION @ 35TH
 CIVIL DETAILS
 WATER SERVICE INSTALLATION
 SCALE: NTS
 DATE: 03/13/07
 DRAWN BY: JDC
 CHECKED BY: DM