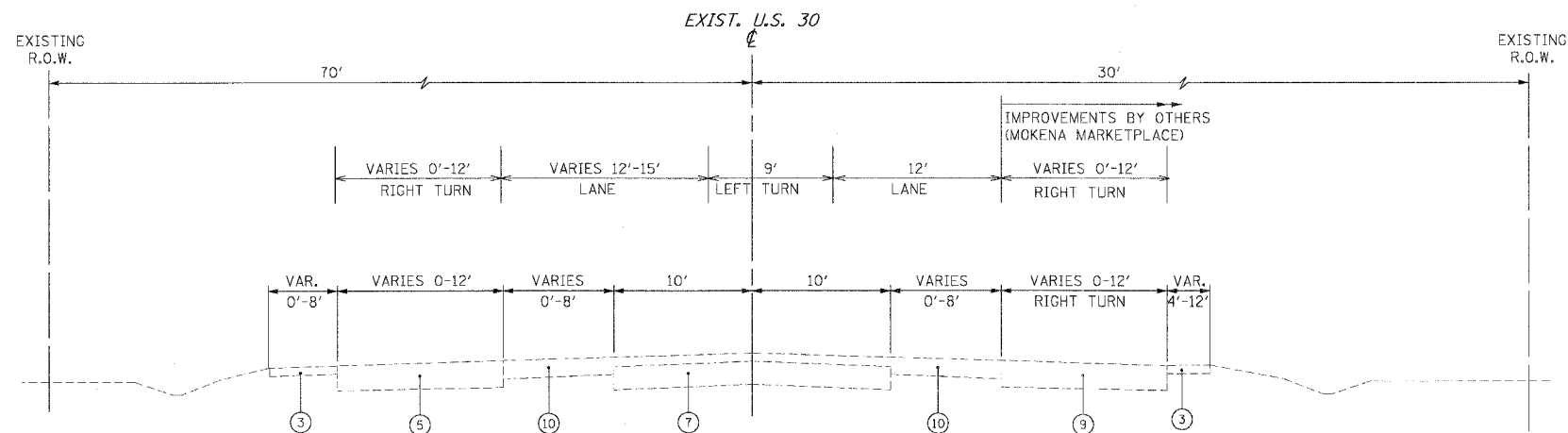


F.A.P. RTE.	SECTION	COUNTY	TOTAL SHEETS	SHEET NO.
353	12R - 4	WILL.	199	11
STA.		TO STA.		
FED. ROAD DIST. NO.		ILLINOIS	FED. AID PROJECT	



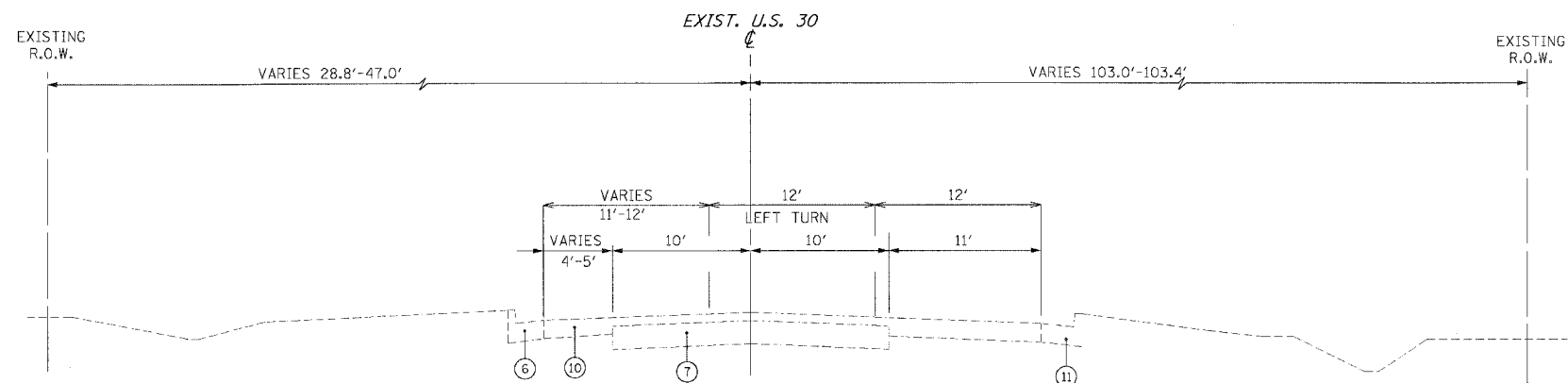
EXISTING TYPICAL SECTION

U.S. 30

STA. 301+00.0 TO STA. 307+77.9

EXISTING LEGEND

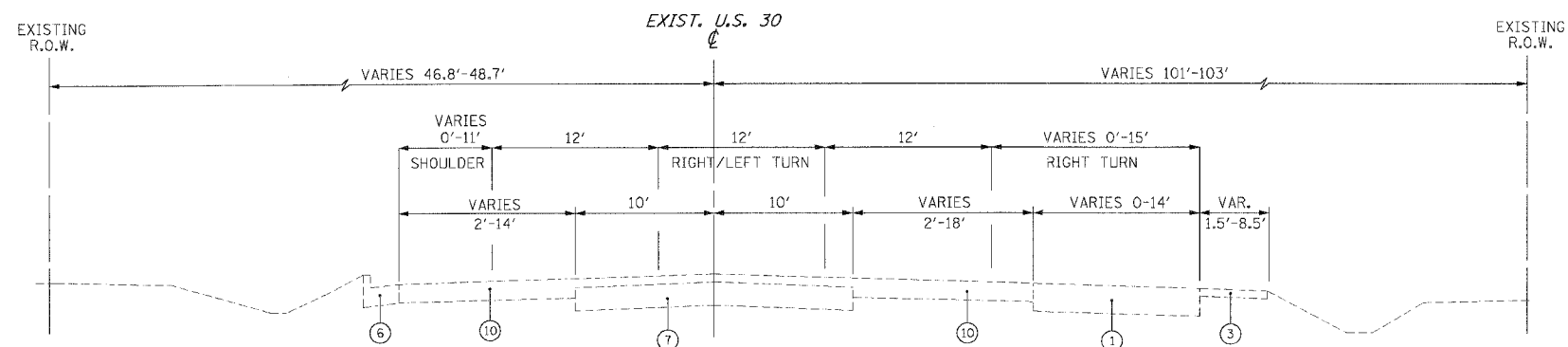
- ① HMA PAVEMENT, 12"
- ② HMA PAVEMENT, 9"
- ③ GRAVEL OR CRUSHED STONE SHOULDER
- ④ HMA PAVEMENT, 13 1/2"
- ⑤ HMA PAVEMENT, 10 3/4"
- ⑥ COMBINATION CONCRETE CURB & GUTTER, TYPE B-6.18
- ⑦ PORTLAND CEMENT CONCRETE PAVEMENT, 10"
- ⑧ PORTLAND CEMENT CONCRETE SIDEWALK
- ⑨ HMA PAVEMENT, 10"
- ⑩ HMA PAVEMENT, 7"
- ⑪ COMBINATION CURB & GUTTER, TYPE B-6.24



EXISTING TYPICAL SECTION

U.S. 30

STA. 307+77.9 TO STA. 310+39.2



EXISTING TYPICAL SECTION

U.S. 30

STA. 310+39.2 TO STA. 317+79.6

REVISIONS	
NAME	DATE

ILLINOIS DEPARTMENT OF TRANSPORTATION

TYPICAL SECTIONS

EXISTING
U.S. RTE. 30 (LINCOLN HWY)

SCALE : 1" = NTS DRAWN BY : BEC
DATE : 03/21/2008 CHECKED BY : GB

