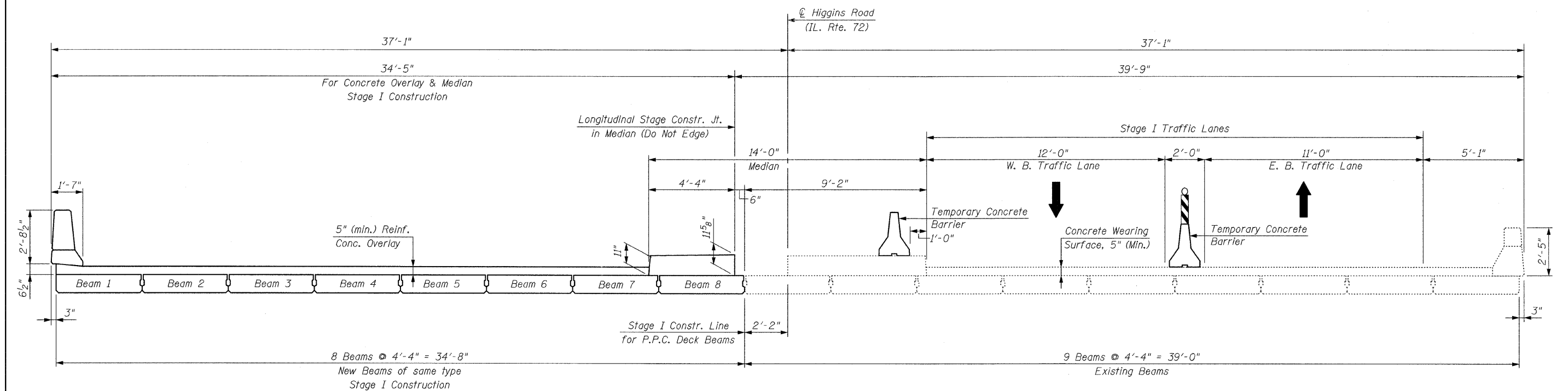


**STAGE I REMOVAL**



**STAGE I CONSTRUCTION**  
(Looking West)

**NOTE:**  
Quantity for Temporary Barrier is included with the Roadway Plans

**CONSTRUCTION STAGING**

**CR & A**  
CHRISTIAN-ROGE & ASSOCIATES, INC.  
ENGINEERS / PLANNERS / SURVEYORS  
211 W. WACKER DRIVE CHICAGO, IL 60606  
PHONE: (312)372-2023 FAX: (312)372-5274

FILE NAME = staging sheet.Lsht	USER NAME = IDOT	DESIGNED - B.N.S.	REVISED -	<b>STATE OF ILLINOIS DEPARTMENT OF TRANSPORTATION</b>	<b>CONSTRUCTION STAGING - I HIGGINS ROAD (IL RTE. 72) OVER SALT CREEK S.N. 016-0504</b>			F.A.P. RTE. 559/341	SECTION 2008-007 B	COUNTY COOK	TOTAL SHEETS 39	SHEET NO. 26
	PLOT SCALE = 1:8000' / IN.	DRAWN - D.L. / F.M.	REVISED -		SCALE: NONE	SHEET NO. S3 OF S12 SHEETS	STA.	TO STA.	FED. ROAD DIST. NO.	ILLINOIS FED. AID PROJECT	<b>CONTRACT NO. 60D55</b>	
	PLOT DATE = 4/30/2008	CHECKED - B.N.S. / J.C.N.	REVISED -									
		DATE - APRIL 21, 2008	REVISED -									