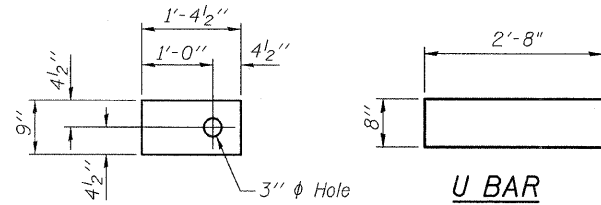
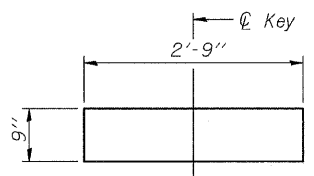


FABRIC BEARING PAD
(Interior)



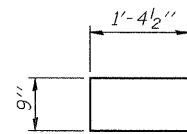
FABRIC BEARING PAD
(Exterior)

U BAR



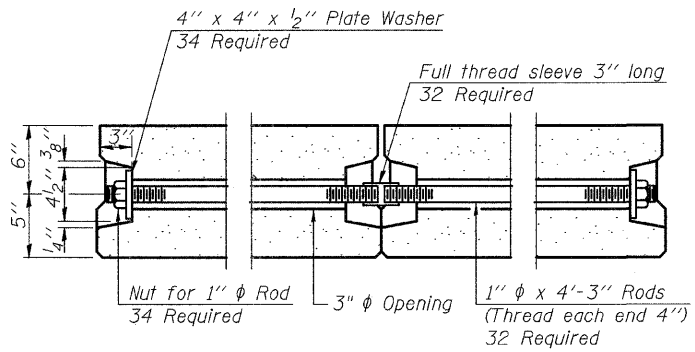
FABRIC BEARING PAD
(Interior)

FIXED

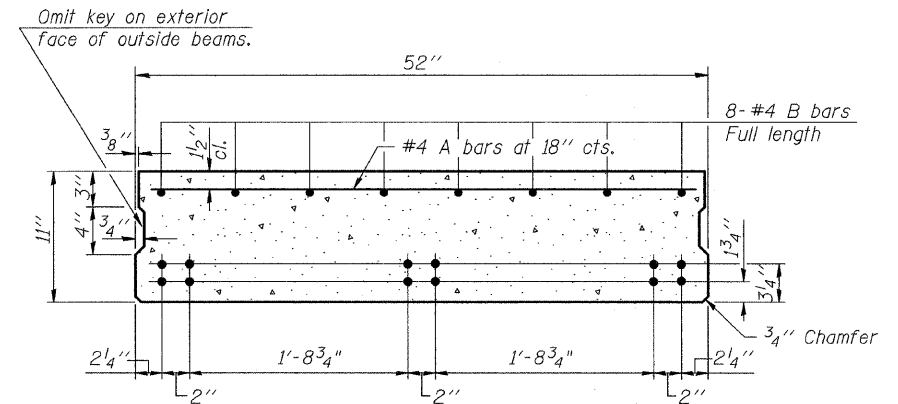


FABRIC BEARING PAD
(Exterior)

EXPANSION



TYPICAL TRANSVERSE TIE ASSEMBLY
(If Required)



TYPICAL SECTION

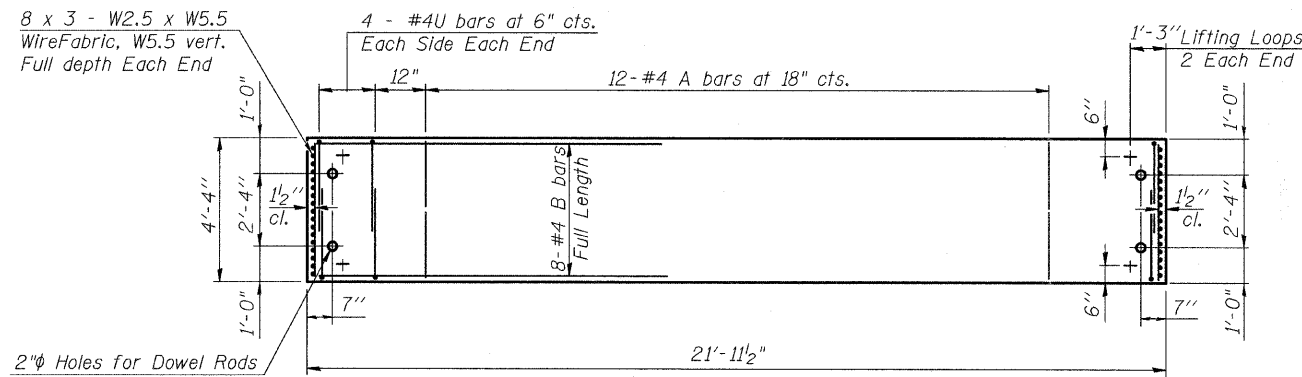
1/2" diameter Strands, Each Strand Stressed to 30,900 Lbs.
6 Strands 1 3/4" up, 6 Strands 3/4" up

Note:
Place strands symmetrically about center beam.

NOTES:

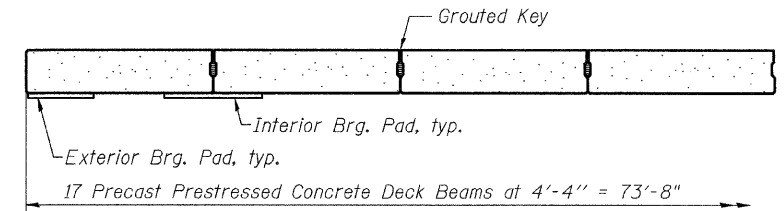
#4D(E) Bars are to be cast with Beams 1 & 17.
See Sht. S5 for Details. Cost is included with
Precast Prestressed Concrete Deck Beams (11" Depth).

#4Z(E) Bars are to be cast with Beams 7 & 11.
See Sht. S5 for Details. Cost is included with
Precast Prestressed Concrete Deck Beams (11" Depth).



PLAN

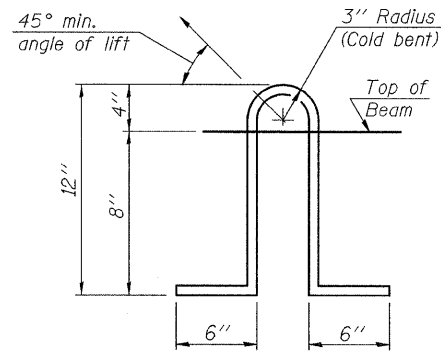
2" diameter Holes for Dowel Rods
Fixed Ends Only
(Both Ends)



HALF CROSS SECTION

NOTES

Prestressing steel shall be uncoated high strength, low relaxation 7-wire strand, Grade 270. The nominal diameter shall be 1/2" and the nominal cross-sectional area shall be 0.153 sq. in. Lifting loops shall be 2-1/2" diameter 270 ksi strands, as shown. The 1" diameter rods in the transverse tie assembly shall be tightened to a snug fit and the threads set. Pockets that receive transverse tie bar on outside shall be filled with grout after transverse tie assembly is in place. Non prestressing steel shall conform to ASTM A 706 (IL MOD), Grade 60. The bearing seat surfaces shall be adjusted by shimming to assure firm and even bearing. Two 1/8" fabric adjusting shims of the dimensions of the Exterior Bearing Pad shall be provided for each bearing. Keyway surfaces shall be cleaned to remove form oil or other bond breaking material prior to shipment of the beams. Cleaning shall be done by sandblasting the keyway areas between top of the beam and the bottom edge of the key. Corrosion Inhibitor, per Article 1020.05(b)(12) of the Standard Specifications, shall be used in the concrete for precast prestressed concrete deck beams. Required Release Strength, f'ci, shall be 4,000 p.s.i. A Concrete Sealer meeting the requirements of Section 587 of the Standard Specifications shall be applied to the exterior face and 9" in on the underside of the fascia beams. The Sealer shall be applied after visible crack growth has subsided. This work shall be performed by the producer and included in the cost of the beams.



LIFTING LOOP DETAIL

BILL OF MATERIAL

Material	Sq. Ft.	Total
Precast Prestressed Concrete Deck Beams (11" Depth)	3,236	31

PD-2-S 11-1-06

FILE NAME = p.p.c. deck beam details.sht	USER NAME = IDOT	DESIGNED - B.N.S.	REVISED -
		DRAWN - D.L. / F.M.	REVISED -
		CHECKED - B.N.S. / J.C.N.	REVISED -
		DATE - APRIL 21, 2008	REVISED -

STATE OF ILLINOIS
DEPARTMENT OF TRANSPORTATION

P.P.C. DECK BEAM DETAILS
HIGGINS ROAD (IL RTE. 72) OVER SALT CREEK S.N. 016-0504

SCALE: NONE	SHEET NO. 58 OF 512 SHEETS	STA. TO STA.	F.A.P. RTE. 559/341	SECTION 2008-007 B	COUNTY COOK	TOTAL SHEETS 39	SHEET NO. 31
-------------	----------------------------	--------------	---------------------	--------------------	-------------	-----------------	--------------

CR & A
CHRISTIAN-ROGE & ASSOCIATES, INC.
ENGINEERS / PLANNERS / SURVEYORS
211 W. WACKER DRIVE CHICAGO, IL 60606
PHONE: (312)372-2023 FAX: (312)372-5274

FED. ROAD DIST. NO. ILLINOIS FED. AID PROJECT
CONTRACT NO. 60D55