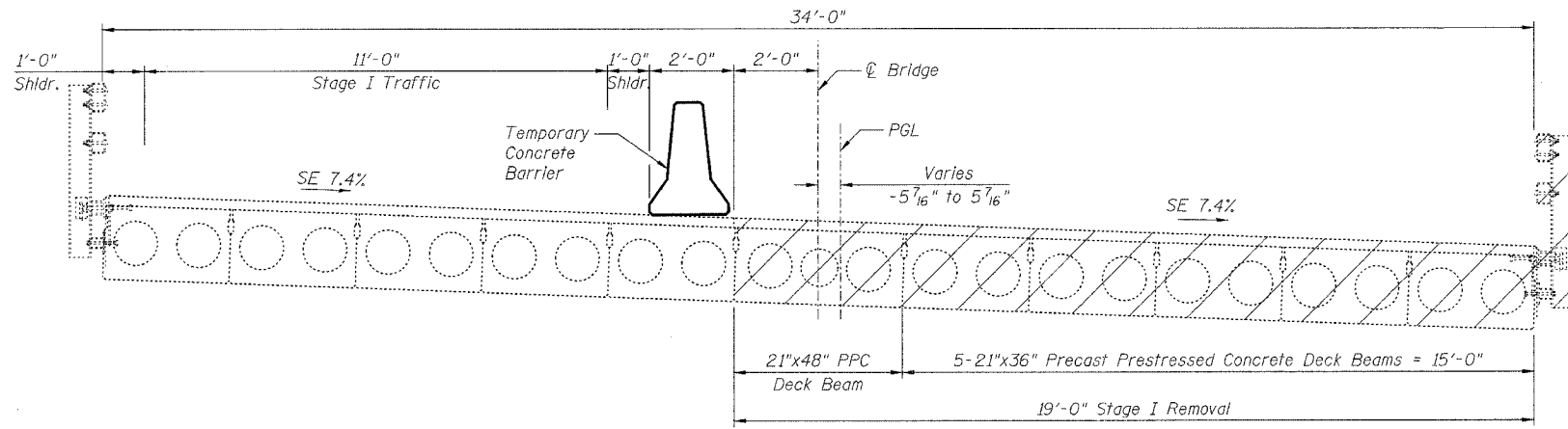


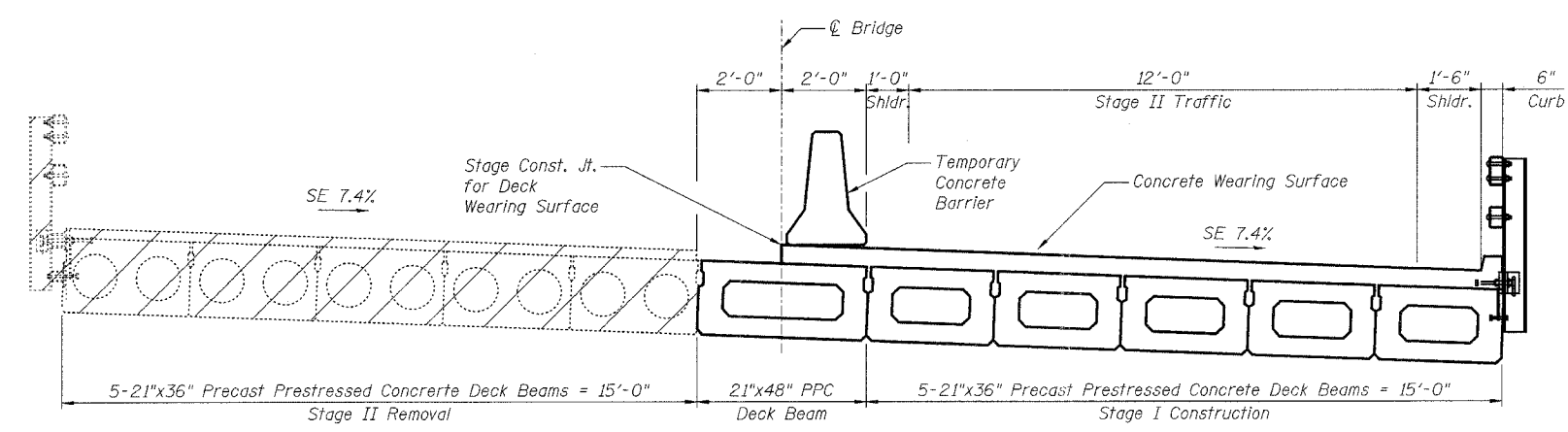
STATE OF ILLINOIS
DEPARTMENT OF TRANSPORTATION

ROUTE NO.	SECTION	COUNTY	TOTAL SHEETS	SHEET NO.
FAP 631	III-N-1 B	WILL	32	17
FED. ROAD DIST. NO. 7		ILLINOIS	FED. AID PROJECT	

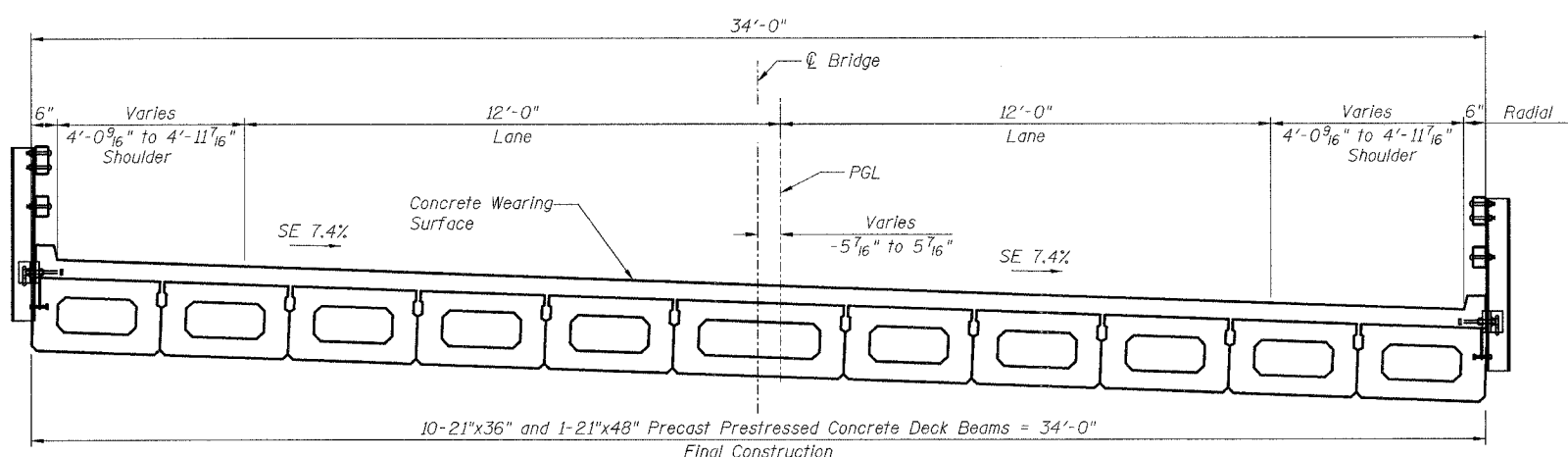
Contract # 60D85



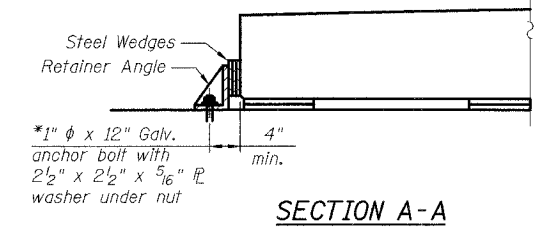
STAGE I REMOVAL
(Looking North)



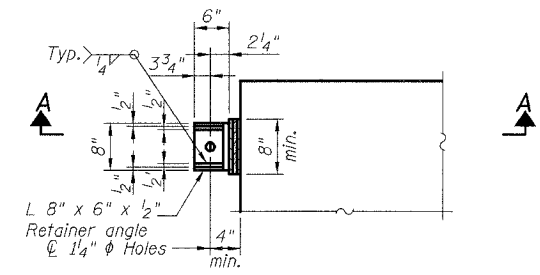
STAGE I CONSTRUCTION & STAGE II REMOVAL
(Looking North)



FINAL
(Looking North)



SECTION A-A

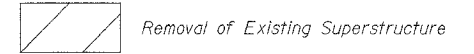


PLAN

TEMPORARY RETAINER ANGLE

* Retainer angle to be placed adjacent to beam at stage line at abutments right after Stage I center beam is removed. Retainer angle shall be removed right before installation of the new stage I beams. Repeat procedure for Stage II. Cost of retainer and accessories are included with Precast Prestressed Concrete Deck Beams.

LEGEND:



NOTES:

1. See Sheet No. 3 for Temporary Concrete Barrier Details.
2. The Contractor is ultimately responsible of means and methods to ensure the complete stability of the structural members during construction.
3. Existing Bearing Pads removal to be paid for under "Asbestos Bearing Pad Removal".

STAGE CONSTRUCTION DETAILS
FAP 631 (ILL. RTE. 102)
OVER FORKED CREEK OVERFLOW
SECTION III N-1 B
WILL COUNTY
STA. 821+12.20
S.N. 099-0169

DESIGNED	B. Sauter
CHECKED	E. Mroczek
DRAWN	R. Danley
CHECKED	B. Sauter

Ciorba Group, Inc.
CONSULTING ENGINEERS
5507 North Cumberland Avenue, Suite 402 Chicago, Illinois 60656
Tel. 773.775.4009 Fax 773.775.4014 Email chicago@ciorba.com

5/15/2008 rdbanley m:\pco\3329\3329_21\design\structural\cadd\sh\3329_21_02_Stage_Construction.sht