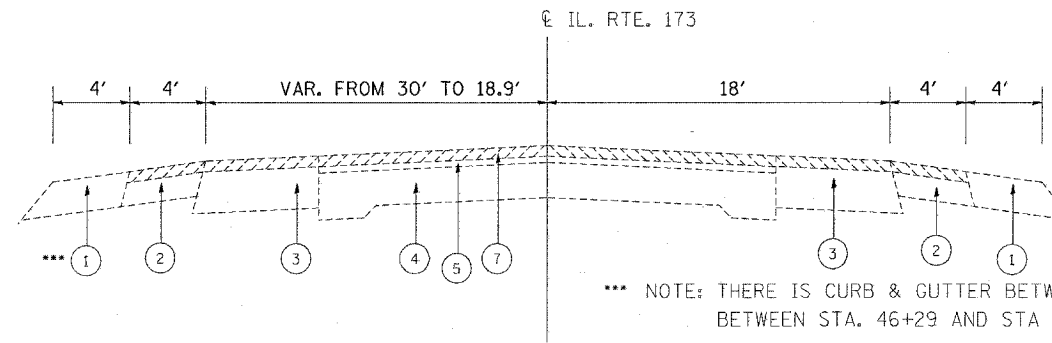
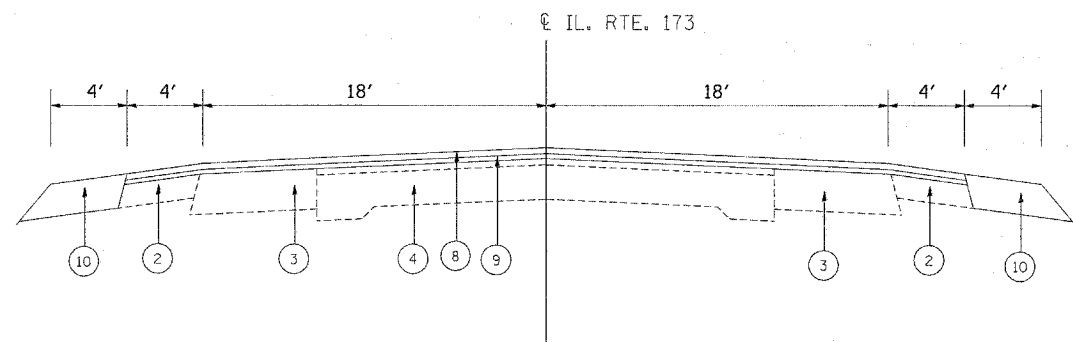


EXISTING TYPICAL SECTION
IL. RTE. 173 (ROSECRANS RD.)
STA. 33+00 TO STA. 43+50
STA. 88+03 TO STA. 90+33

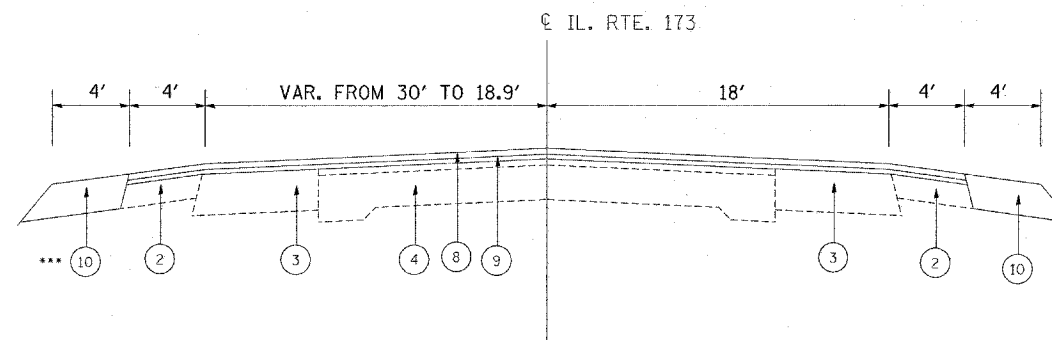


EXISTING TYPICAL SECTION
IL. RTE. 173 (ROSECRANS RD.)
STA. 45+57 TO STA. 47+41

*** NOTE: THERE IS CURB & GUTTER BETWEEN STA. 45+57 AND STA. 47+93 ON THE NORTH SIDE
BETWEEN STA. 46+29 AND STA. 47+74 ON THE SOUTH SIDE (SEE ROADWAY PLAN)



PROPOSED TYPICAL SECTION
IL. RTE. 173 (ROSECRANS RD.)
STA. 33+00 TO STA. 43+50
STA. 88+03 TO STA. 90+33



PROPOSED TYPICAL SECTION
IL. RTE. 173 (ROSECRANS RD.)
STA. 45+57 TO STA. 47+41

LEGEND

- ① EXISTING AGGREGATE SHOULDER
- ② EXISTING HMA SHOULDER 8"
- ③ EXISTING HMA BASE COURSE WIDENING 9"
- ④ EXISTING PCC PAVEMENT 7 1/2"
- ⑤ EXISTING HMA OVERLAY VARIES FROM 5" TO 8"
- ⑥ EXISTING COMBINATION CONCRETE CURB & GUTTER
- ⑦ PROPOSED HOT-MIX ASPHALT SURFACE REMOVAL, 2 1/4"
- ⑧ PROPOSED HOT-MIX ASPHALT SURFACE COURSE, MIX "D", N70, 1 1/2"
- ⑨ PROPOSED POLYMERIZED LEVELING BINDER (MACHINE METHOD), IL-4.75, N50, 3/4"
- ⑩ PROPOSED AGGREGATE WEDGE SHOULDER, TYPE B

FILE NAME = e:\projects\dl37688\design_no.dgn	USER NAME = abreuah	DESIGNED -	REVISED -	STATE OF ILLINOIS DEPARTMENT OF TRANSPORTATION	ILL 173 (ROSECRANS ROAD) TYPICAL SECTIONS		F.A.P. RTE. 303	SECTION 136 RS-5	COUNTY LAKE	TOTAL SHEETS 23	SHEET NO. 5	
	PLOT SCALE = 50.0000' / IN.	DRAWN -	REVISED -		SCALE: NTS	SHEET NO. OF SHEETS	STA. X TO STA. X	CONTRACT NO. 60E44				
	PLOT DATE = 5/17/2008	CHECKED -	REVISED -		FED. ROAD DIST. NO. 1 ILLINOIS FED. AID PROJECT							
		DATE -	REVISED -									