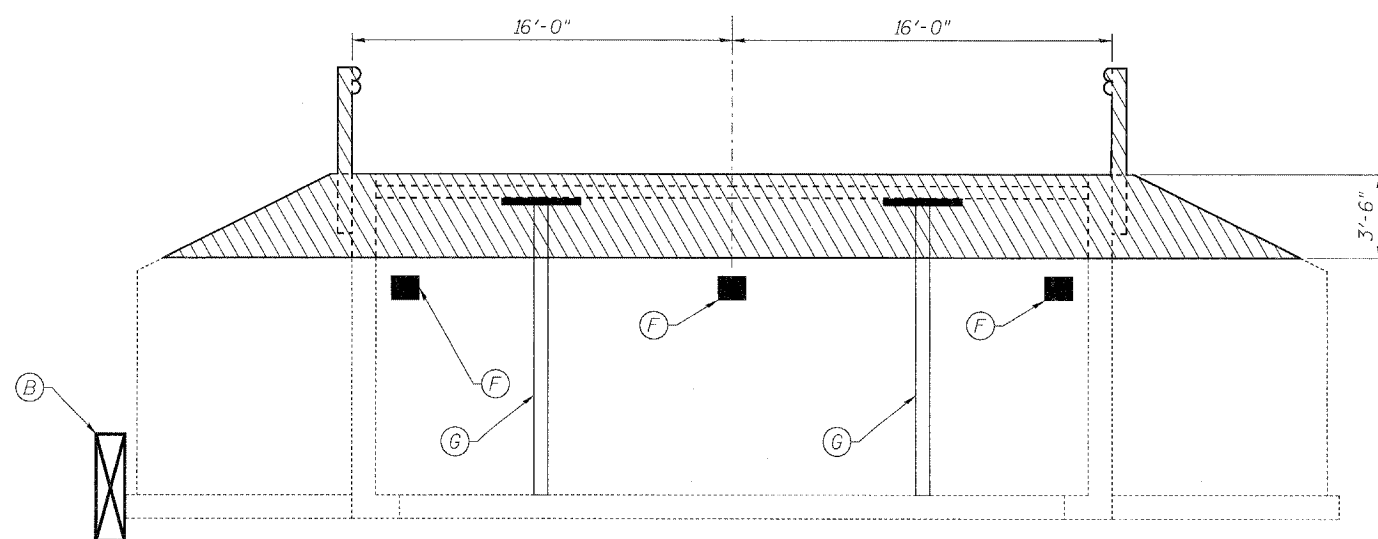


PLAN - REMOVAL



CROSS SECTION - REMOVAL LOOKING NORTH

GENERAL CONSTRUCTION NOTES

- A. THE CONTRACTOR SHALL SUBMIT A PLAN AND SCHEDULE OF CONSTRUCTION ACTIVITIES TO THE ENGINEER FOR APPROVAL BEFORE STARTING ANY WORK FOR THIS PROJECT.
- B. FLOW OF THE CREEK UNDER IL RT.31 IS TO BE MAINTAINED AT ALL TIMES DURING CONSTRUCTION BY INSTALLING A TEMPORARY STREAM DIVERSION.
- C. FOR TRAFFIC CONTROL DURING CONSTRUCTION, INCLUDING ITEMS NOT SHOWN HERE SEE ROADWAY DRAWINGS.
- D. REFER TO ROADWAY DRAWINGS, CROSS SECTIONS AND STRUCTURE DRAWINGS FOR ADDITIONAL INFORMATION.
- E. ALL CONSTRUCTION SHALL BE PERFORMED ON WEEKENDS AS FURTHER DESCRIBED IN THE SPECIFICATIONS.
- F. INSTALL TEMPORARY WALL SUPPORTS.
- G. INSTALL TEMPORARY SLAB SUPPORTS IF REQUIRED BY THE CONTRACTOR'S PLAN AND SCHEDULE OF CONSTRUCTION ACTIVITIES.

SEQUENCE OF CONSTRUCTION

WEEKEND NUMBER ONE

CLOSE ROAD TO ALL TRAFFIC (FRIDAY EVENING.)
 MAINTAIN DETOUR AROUND WORK AREA.
 INSTALL THE TEMPORARY STREAM DIVERSION.
 INSTALL THE TEMPORARY WALL/ABUTMENT SUPPORT (TO BE UTILIZED IN SUBSEQUENT WEEKENDS), WITHOUT REMOVING PORTIONS OF THE EXISTING STRUCTURE, PREPARE THE STREAM SUBGRADE FOR THE FOLLOWING WEEKENDS WORK.
 OPEN ROAD TO TRAFFIC (SUNDAY EVENING / MONDAY MORNING.)
 MAINTAIN TEMPORARY STREAM DIVERSION.

WEEKEND NUMBER TWO

CLOSE ROAD TO ALL TRAFFIC (FRIDAY EVENING.)
 MAINTAIN DETOUR AROUND WORK AREA.
 REMOVE THE EXISTING BRIDGE DECK (WITHOUT PARTIAL WINGWALL REMOVAL).
 INSTALL BOX CULVERT.
 BACKFILL AND INSTALL GEOTEXTILE WALL SYSTEM, REMOVE TEMPORARY WALL/ABUTMENT SUPPORT.
 INSTALL TEMPORARY ROADWAY AND TEMPORARY SAFETY FEATURES.
 OPEN ROAD TO TRAFFIC (SUNDAY EVENING / MONDAY MORNING.)
 MAINTAIN TEMPORARY STREAM DIVERSION.

WEEKEND NUMBER THREE

CLOSE ROAD TO ALL TRAFFIC (FRIDAY EVENING.)
 MAINTAIN DETOUR AROUND WORK AREA.
 REMOVE PORTIONS OF TEMPORARY ROADWAY REQUIRED TO COMPLETE THE WORK.
 REMOVE PORTIONS OF WINGWALL AND ABUTMENT (EAST SIDE) REQUIRED TO COMPLETE THE HEADWALL CONSTRUCTION.
 COMPLETE HEADWALL CONSTRUCTION (EAST SIDE.)
 COMPLETE APRON PAVING IN STREAM (EAST SIDE.)
 RESTORE TEMPORARY ROADWAY AND SAFETY FEATURES.
 OPEN ROAD TO TRAFFIC (SUNDAY EVENING / MONDAY MORNING.)
 MAINTAIN TEMPORARY STREAM DIVERSION.

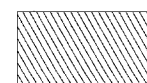
WEEKEND NUMBER FOUR

CLOSE ROAD TO ALL TRAFFIC (FRIDAY EVENING.)
 MAINTAIN DETOUR AROUND WORK AREA.
 REMOVE PORTIONS OF TEMPORARY ROADWAY REQUIRED TO COMPLETE THE WORK.
 REMOVE PORTIONS OF WINGWALL AND ABUTMENT (WEST SIDE.) REQUIRED TO COMPLETE THE HEADWALL CONSTRUCTION.
 COMPLETE HEADWALL CONSTRUCTION (WEST SIDE.)
 COMPLETE APRON PAVING IN STREAM (WEST SIDE.)
 RESTORE TEMPORARY ROADWAY AND SAFETY FEATURES.
 OPEN ROAD TO TRAFFIC (SUNDAY EVENING / MONDAY MORNING.)
 MAINTAIN TEMPORARY STREAM DIVERSION.

WEEKEND NUMBER FIVE

CLOSE ROAD TO ALL TRAFFIC (FRIDAY EVENING.)
 MAINTAIN DETOUR AROUND WORK AREA.
 REMOVE TEMPORARY ROADWAY.
 INSTALL PERMANENT ROADWAY.
 INSTALL PERMANENT GAURDRAIL.
 INSTALL RIPRAP.
 COMPLETE ALL OTHER WORK.
 REMOVE TEMPORARY STREAM DIVERSION .
 OPEN ROAD TO TRAFFIC (SUNDAY EVENING / MONDAY MORNING.)

LEGEND



- LIMITS OF REMOVAL OF EXISTING STRUCTURES (ROADWAY, CULVERT, HEADWALL & WINGWALLS. COST FOR REMOVAL IS INCLUDED IN EARTH EXCAVATION ITEM, CHANNEL EXCAVATION ITEM, CONCRETE REMOVAL ITEM, STRUCTURE EXCAVATION ITEM, STEEL PLATE BEAM GUARDRAIL REMOVAL, ATTACH TO STRUCTURE ITEM AND GUARD RAIL REMOVAL ITEM.

② - DENOTES CONSTRUCTION GENERAL NOTE NUMBER.

USER NAME = #USER# PLLOT SCALE = #SCALE# PLLOT DATE = #DATE#	DESIGNED - WHE DRAWN - ST CHECKED - WHE DATE - 06/27/2008	REVISED - ____ REVISED - ____ REVISED - ____	STATE OF ILLINOIS DEPARTMENT OF TRANSPORTATION	REMOVAL PLAN AND SECTION IL ROUTE 31	F.A. RTE. 3887 SECTION S-T-1 COUNTY KANE TOTAL SHEETS 17 SHEET NO. 11	CONTRACT NO. 60E50 ILLINOIS FED. AID PROJECT
SCALE: 1/4"=1'-0"				SHEET NO. 11 OF 17 SHEETS	STA. 37+24 TO STA. 37+60	FED. ROAD DIST. NO.