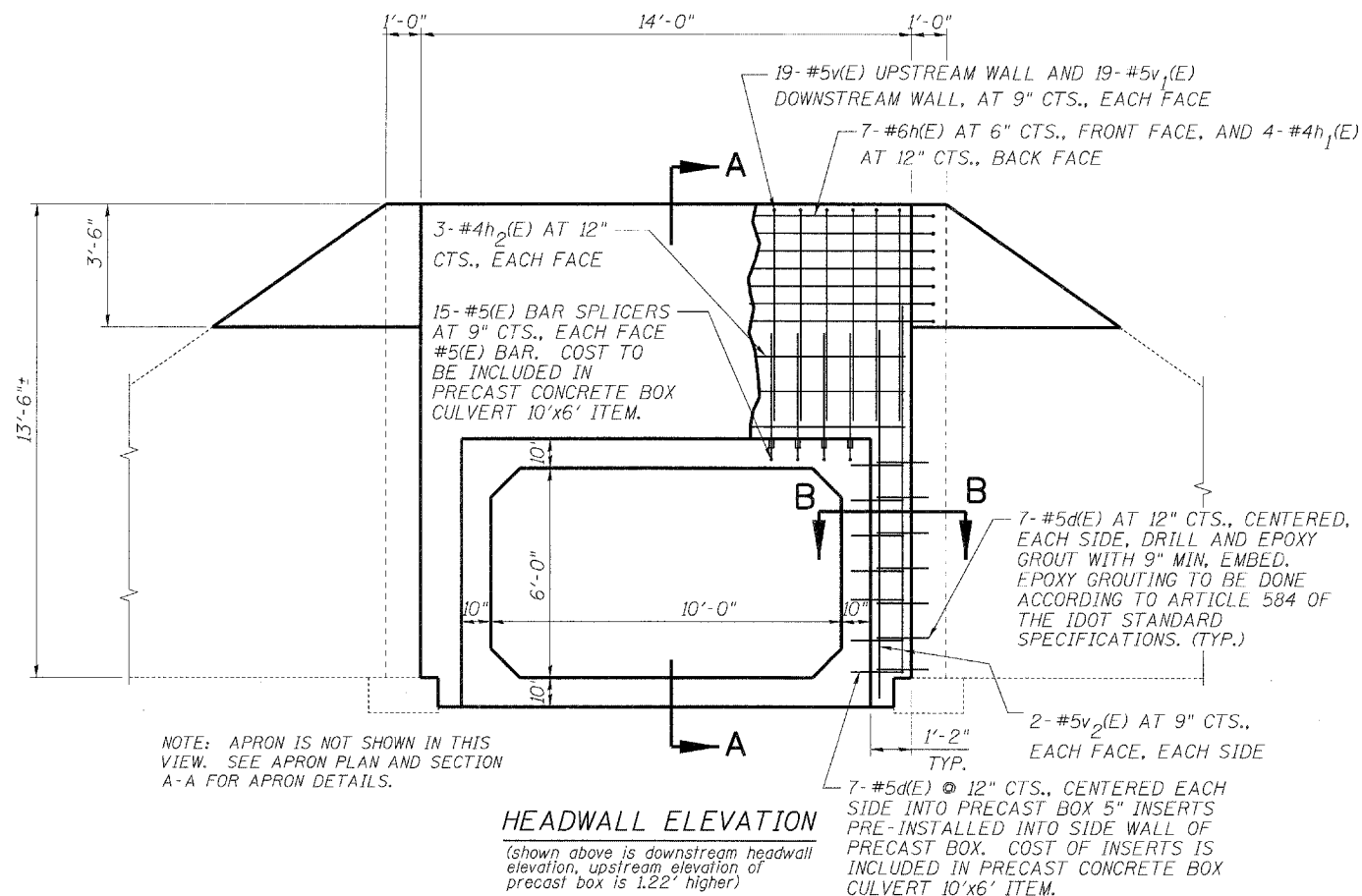
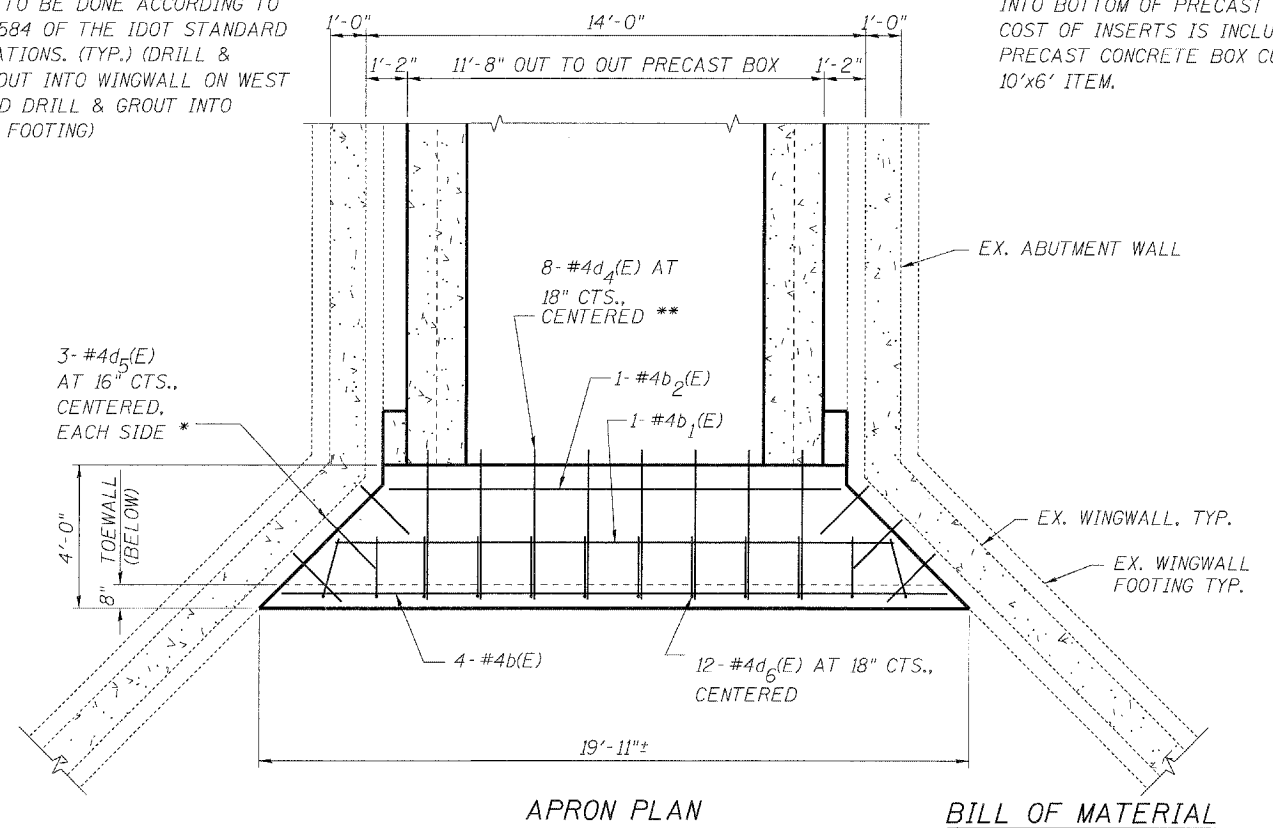


* - DRILL AND EPOXY GROUT #4d5(E) WITH 9" MIN. EMBED. DRILLING AND EPOXY GROUTING TO BE DONE ACCORDING TO ARTICLE 584 OF THE IDOT STANDARD SPECIFICATIONS. (TYP.) (DRILL & EPOXY GROUT INTO WINGWALL ON WEST APRON AND DRILL & GROUT INTO WINGWALL FOOTING)

** - INSERT #4d4(E) INTO PRECAST BOX 9" INSERTS PRE-INSTALLED INTO BOTTOM OF PRECAST BOX. COST OF INSERTS IS INCLUDED IN PRECAST CONCRETE BOX CULVERT 10'x6' ITEM.

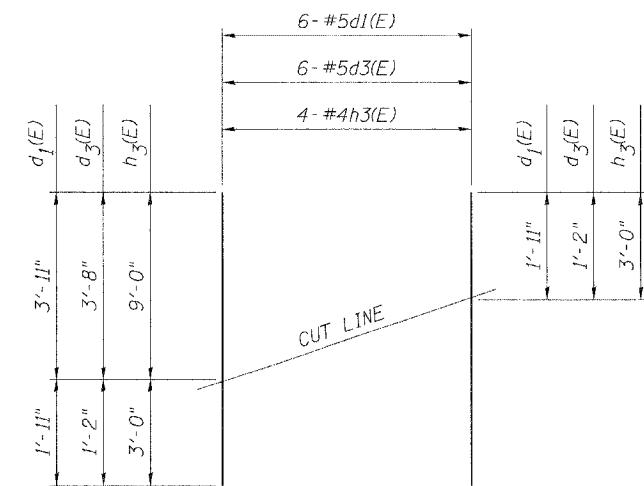


NOTE: APRON IS NOT SHOWN IN THIS VIEW. SEE APRON PLAN AND SECTION A-A FOR APRON DETAILS.

HEADWALL ELEVATION
(shown above is downstream headwall elevation, upstream elevation of precast box is 1.22' higher)

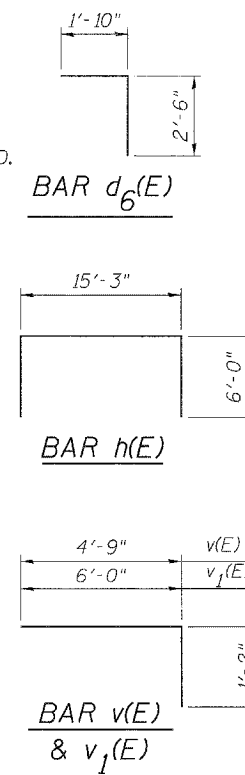
NOTES

1. CONTRACTOR SHALL FIELD VERIFY EXISTING CONDITIONS AND DIMENSIONS BEFORE ORDERING MATERIALS.
2. ALL EDGES SHALL HAVE STANDARD 3/4" CHAMFERS EXCEPT AS NOTED.
3. REINFORCEMENT BARS DESIGNATED (E) SHALL BE EPOXY COATED.



FIELD CUTTING DIAGRAM

Order d1(E), d3(E) and h3(E) full length. Cut as shown and use remainder of bars in opposite location.



Bar	No.	Size	Length	Shape
b(E)	8	#4	18'-8"	—
b1(E)	2	#4	15'-8"	—
b2(E)	2	#4	12'-8"	—
d(E)	56	#5	1'-6"	—
d1(E)	12	#5	5'-10"	—
d2(E)	8	#5	4'-1"	—
d3(E)	12	#5	4'-10"	—
d4(E)	16	#4	4'-6"	—
d5(E)	12	#4	2'-4"	—
d6(E)	24	#4	4'-4"	└
h(E)	14	#6	27'-3"	└
h1(E)	8	#4	15'-6"	—
h2(E)	12	#4	13'-8"	—
h3(E)	8	#4	12'-0"	—
h4(E)	4	#4	7'-3"	—
v(E)	38	#5	5'-11"	└
v1(E)	38	#5	7'-2"	└
v2(E)	16	#5	10'-6"	—
Item	Unit	Quantity		
CONCRETE STRUCTURES	CU YD	22.2		
REINFORCEMENT BARS, EPOXY COATED	POUND	2070		
STRUCTURE EXCAVATION	CU YD	23.2		
FURNISHING AND ERECTING STRUCTURAL STEEL	POUND	1310		