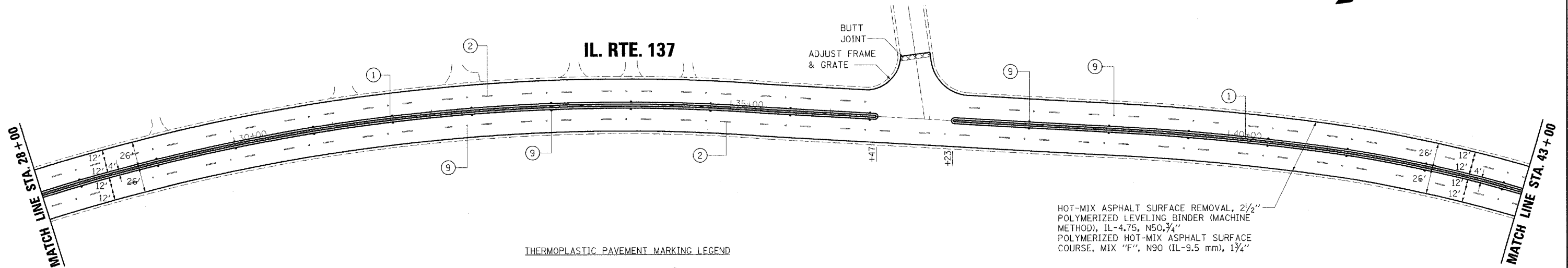


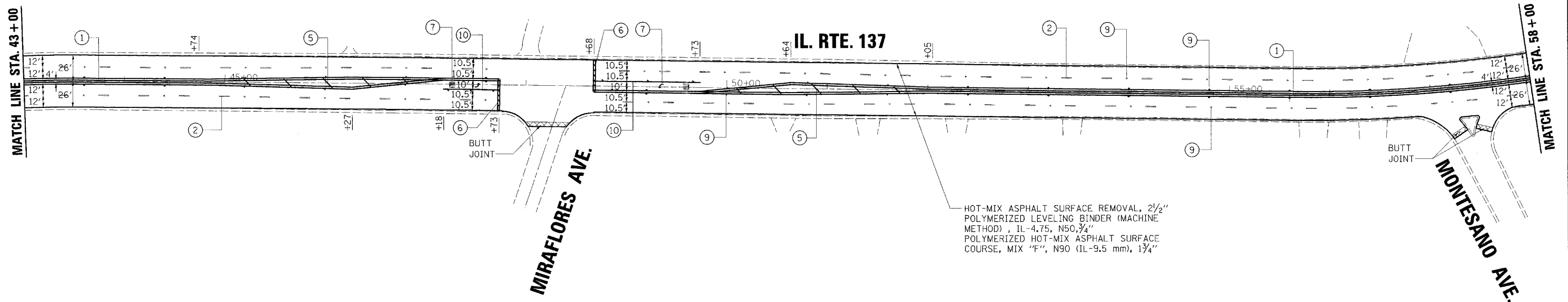
LONGVIEW RD.



HOT-MIX ASPHALT SURFACE REMOVAL, 2 1/2"  
 POLYMERIZED LEVELING BINDER (MACHINE  
 METHOD), IL-4.75, N50, 3/4"  
 POLYMERIZED HOT-MIX ASPHALT SURFACE  
 COURSE, MIX "F", N90 (IL-9.5 mm), 1 3/4"

THERMOPLASTIC PAVEMENT MARKING LEGEND

- |   |                                      |
|---|--------------------------------------|
| ① 4" DOUBLE SOLID YELLOW LINE (11" C-C)       | ⑧ 12" WHITE CROSSWALK LINES          |
| ② 4" WHITE LANE LINE (10' LINE, 30' SPACE)    | ⑨ RAISED REFLECTIVE PAVEMENT MARKERS |
| ③ 6" SOLID WHITE LINE                         | ◁ ONE-WAY CRYSTAL                    |
| ④ 6" WHITE TURN LANE LINE (2' LINE, 6' SPACE) | ◀ ONE-WAY AMBER                      |
| ⑤ 12" SOLID YELLOW DIAGONAL LINES             | ◆ TWO-WAY AMBER                      |
| ⑥ 24" SOLID WHITE STOP BAR                    | ⑩ 6" SOLID WHITE TURN LANE LINE      |
| ⑦ LETTERS AND SYMBOLS                         | ⑪ 4" SINGLE SOLID YELLOW LINE        |



HOT-MIX ASPHALT SURFACE REMOVAL, 2 1/2"  
 POLYMERIZED LEVELING BINDER (MACHINE  
 METHOD), IL-4.75, N50, 3/4"  
 POLYMERIZED HOT-MIX ASPHALT SURFACE  
 COURSE, MIX "F", N90 (IL-9.5 mm), 1 3/4"

PLOT DATE = 5/22/08  
 PLOT NAME = K:\12255808\Civil\Drawings\12255808-PL-002.dgn  
 PLOT SCALE = 1/8" = 1'-0"  
 USER NAME = jmartin  
 MODEL = Default



200 West Front Street  
 Wheaton, IL 60187

|                |           |
|----------------|-----------|
| DESIGNED - LCM | REVISED - |
| DRAWN - JMT    | REVISED - |
| CHECKED - BLB  | REVISED - |
| DATE - 5/23/08 | REVISED - |

STATE OF ILLINOIS  
 DEPARTMENT OF TRANSPORTATION

IL ROUTE 137 (GREENWOOD AVE. - BLANCHARD RD.)  
 EXISTING & PROPOSED ROADWAY PLAN

SCALE: 1"=50' SHEET NO. 2 OF 3 SHEETS STA. 28+00 TO STA. 58+00

|   |                        |             |                 |             |
|---|------------------------|-------------|-----------------|-------------|
| F.A.P. RTE. 352                                 | SECTION (E, M, D) RS-6 | COUNTY LAKE | TOTAL SHEETS 21 | SHEET NO. 7 |
| CONTRACT NO. 60E56                              |                        |             |                 |             |
| FED. ROAD DIST. NO. 1 ILLINOIS FED. AID PROJECT |                        |             |                 |             |