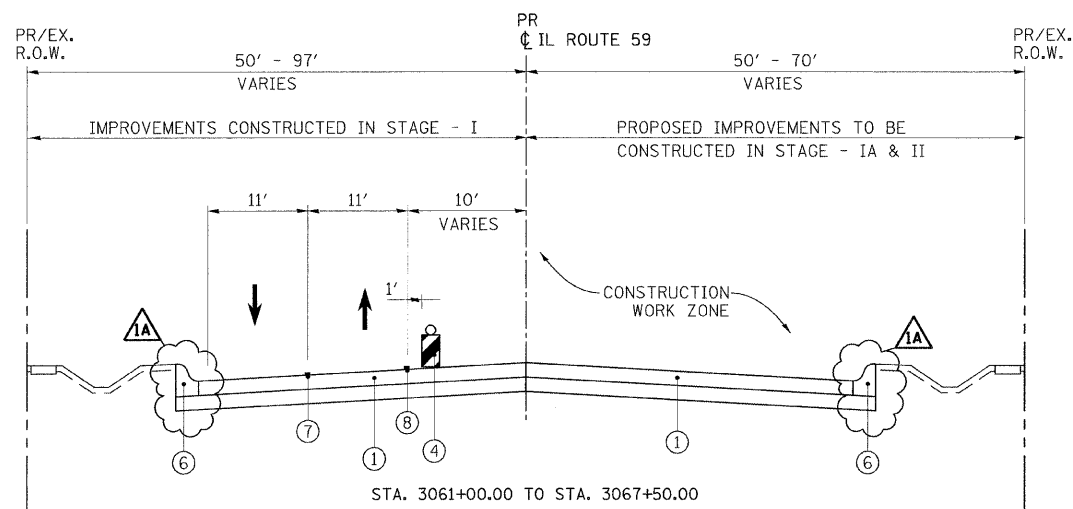
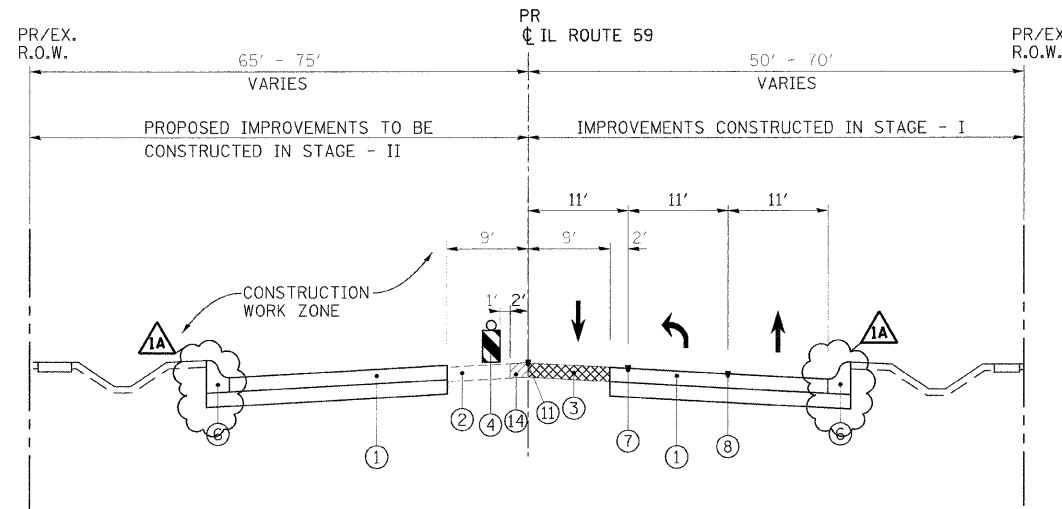


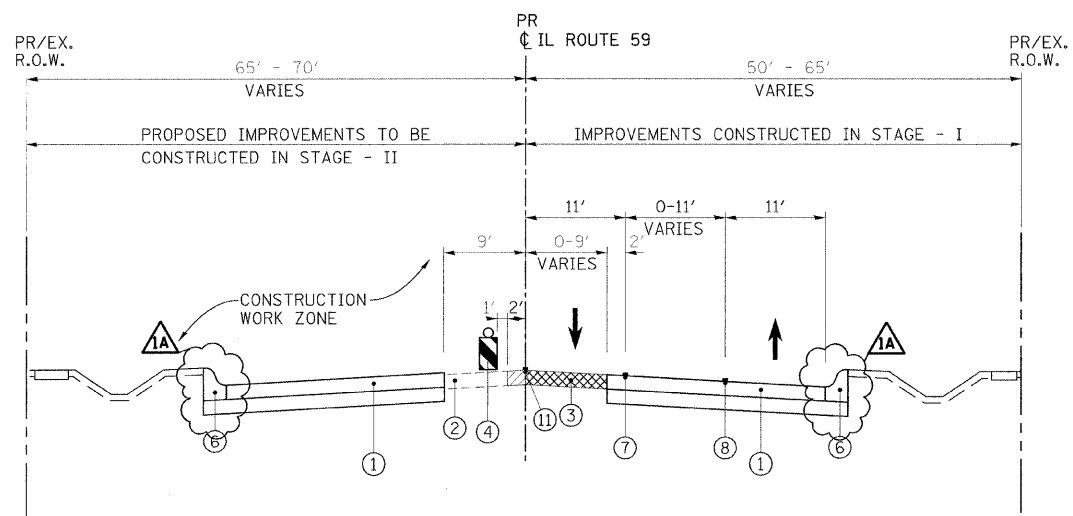
RTE	SECTION	COUNTY	TOTAL SHEETS	SHEET NO.
338	114R-1	WILL	355	80
STA.		TO STA.		
FED. ROAD DIST. NO. 7 ILLINOIS FED. AID PROJECT				



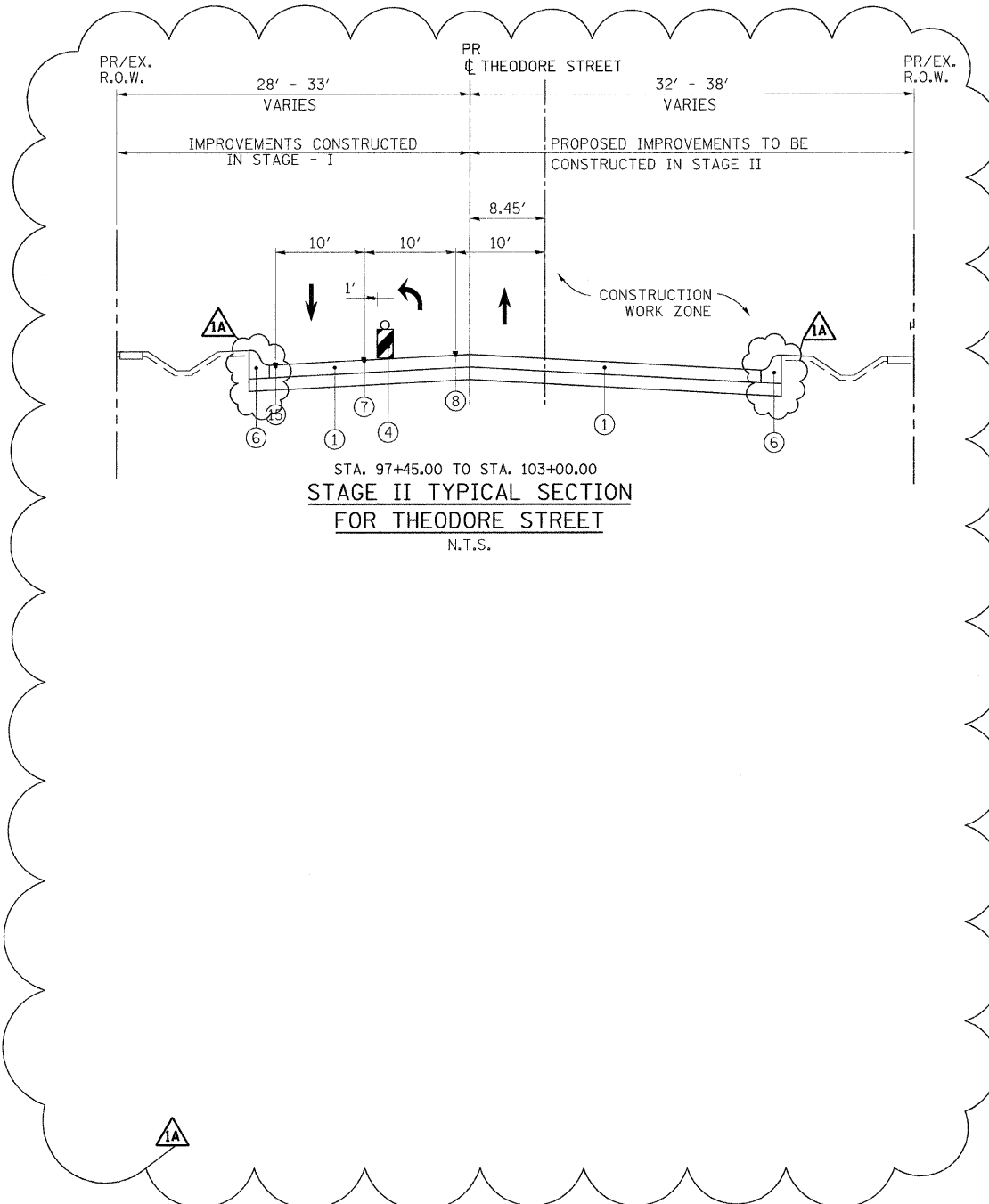
STA. 3061+00.00 TO STA. 3067+50.00
STAGE IA TYPICAL SECTION
 STA. 3032+26.20 TO STA. 3061+00.00
STAGE II TYPICAL SECTION
 N.T.S.



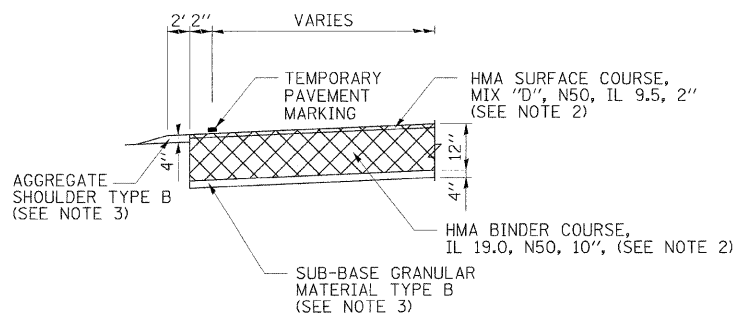
STA. 3067+50.00 TO STA. 3193+25.00
STAGE II TYPICAL SECTION LEFT TURN LANE
 N.T.S.



STA. 3067+50.00 TO STA. 3193+25.00
STAGE II TYPICAL SECTION
 N.T.S.



STA. 97+45.00 TO STA. 103+00.00
STAGE II TYPICAL SECTION FOR THEODORE STREET
 N.T.S.



TEMPORARY PAVEMENT DETAIL
 N.T.S.

LEGEND

⊠ TEMPORARY PAVEMENT

TEMPORARY PAVEMENT DETAIL NOTES:

- CROSS SLOPE OF TEMPORARY PAVEMENT SHALL MATCH THE CROSS SLOPE OF THE ADJACENT EXISTING OR PROPOSED PAVEMENT UNLESS OTHERWISE DIRECTED BY THE ENGINEER.
- THE COST OF HMA SURFACE COURSE, MIX "D", N50, IL 9.5 AND HMA BINDER COURSE, IL 19.0, N50 SHALL BE PAID FOR AT THE UNIT PRICE OF "TEMPORARY PAVEMENT".
- SUB-BASE GRANULAR MATERIAL, TYPE B AND AGGREGATE SHOULDERS, TYPE B SHALL BE PAID FOR SEPERATELY.
- PORTLAND CEMENT CONCRETE BASE OF A THICKNESS OF 9" MAYBE USED AS A SUBSTITUTE FOR THE HMA PAVEMENT.
- FOR TEMPORARY PAVEMENT CONSTRUCTION USE IDOT STANDARDS NO. 701326 & 701701.

STAGE II

- CONSTRUCT TEMPORARY PAVEMENT, INSTALL TEMPORARY CONCRETE BARRIERS AND IMPACT ATTENUATORS, TEMPORARY (NON REDIRECTIVE) AND REITERATE PAD AS SHOWN ON THE PLANS.
- SHIFT TRAFFIC TO STAGE II TRAFFIC PATTERN AS SHOWN ON PLANS.
- TWO WAY TRAFFIC FLOW (1 LANE NB & 1 LANE SB) IS MAINTAINED ON THE WEST SIDE OF CONSTRUCTED IL ROUTE 59 SOUTH OF STATION 3067+50 AND EAST SIDE NORTH OF STATION 3067+50. TRAFFIC FLOW WILL SHIFT FROM WEST TO EAST OF IL ROUTE 59 AT STATION 3067+50.

IN ADDITION, A MINIMUM OF ONE, 11' THROUGH LANE IN EACH DIRECTION SHALL BE MAINTAINED THROUGHOUT THE ENTIRE LENGTH, UNLESS NOTED OTHERWISE. IN ADDITION, AN 11' LEFT TURN LANE SHALL BE MAINTAINED AT LOCATION SHOWN ON THE PLANS. ESTABLISH TWO WAY TRAFFIC FLOW ON CONSTRUCTED THEODORE STREET USING 10' TRAVEL LANES.
- REMOVE TEMPORARY AND EXISTING PAVEMENT IN WORK ZONE.
- REPLACE EXISTING CULVERTS AND DRAINAGE STRUCTURES ON EAST SIDE OF IL ROUTE 59.
- REMOVE EXISTING CURB GUTTER AND PAVEMENT ON IL ROUTE 59 ON EAST SIDE SOUTH OF STATION 3067+50 AND WEST SIDE NORTH OF STATION 3067+50.
- CONSTRUCT NEW PORTION OF IL ROUTE 59 ON EAST SIDE SOUTH OF STATION 3067+50, WEST SIDE NORTH OF STATION 3067+50, AND SOUTH SIDE OF THEODORE STREET, AS SHOWN IN PLANS.

STAGE III

- USE STANDARD 701602 TO MAINTAIN TWO-WAY TRAFFIC FLOW ALONG IL ROUTE 59 ON NEWLY CONSTRUCTED OUTSIDE TRAFFIC LANES. UTILIZE PERMANENT PAVEMENT MARKING WHENEVER POSSIBLE.
- REMOVE TEMPORARY PAVEMENT AND PAVEMENT MARKINGS.
- CONSTRUCT REMAINING PAVEMENT, COMBINATION CONCRETE CURB AND GUTTER, AND MEDIANS AS SHOWN ON THE PLANS.
- PLACE PERMANENT PAVEMENT MARKINGS AND RAISED REFLECTIVE PAVEMENT MARKINGS.
- INSTALL PERMANENT TRAFFIC SIGNALS.
- COMPLETE LANDSCAPING.
- OPEN ROADWAY TO TWO-WAY, FOUR-LANE TRAFFIC FLOW.

LEGEND

- PROPOSED PAVEMENT
- EXISTING PAVEMENT
- TEMPORARY PAVEMENT (SEE PLANS)
- TYPE II BARRICADE/DRUMS (SEE PLANS FOR LOCATION & SPACING)
- VERTICAL PANELS WITH STEADY BURN MONO-DIRECTIONAL LIGHTS ADJACENT TO TEMPORARY PAVEMENT @ 50' C-C
- PROPOSED CURB & GUTTER
- PAVEMENT MARKING TAPE, TYPE III, 4" DOUBLE YELLOW AT 11" C-C WITH TEMPORARY RAISED REFLECTIVE PAVEMENT MARKER @ 40' C-C
- PAVEMENT MARKING TAPE TYPE III, 6" SOLID WHITE
- LANDSCAPED MEDIAN, AND/OR CONCRETE MEDIAN
- PERMANENT PAVEMENT MARKING OR PAVEMENT MARKING TAPE, TYPE III, 4" WHITE SKIP DASH
- TEMPORARY PAVEMENT MARKING 4" EDGE LINE
- TEMPORARY PAVEMENT MARKING 6" LINE
- TEMPORARY PAVEMENT MARKING 4" DOUBLE YELLOW AT 11" C-C WITH TEMPORARY RAISED REFLECTIVE PAVEMENT MARKER @ 40' C-C
- AGGREGATE SHOULDER, TYPE B
- PAVEMENT MARKING TAPE TYPE III, 4" SOLID LINE

REVISIONS		
NAME	DATE	
REVISED MOT	5/23/08	

ILLINOIS DEPARTMENT OF TRANSPORTATION
**CONSTRUCTION PROCEDURES
 AND MAINTENANCE OF TRAFFIC
 TYPICAL SECTIONS AND NOTES**
 ILLINOIS ROUTE 59

DATE 3/18/08
 DRAWN BY: NM, RM
 CHECKED BY: AS

DATE	BY
DATE	BY

DATE	BY
DATE	BY