

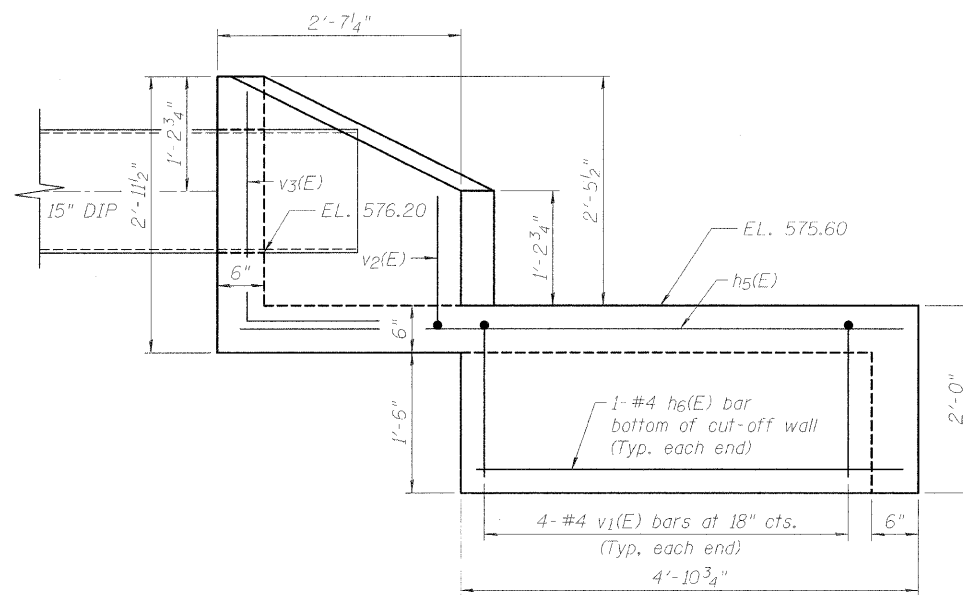
STATE OF ILLINOIS  
DEPARTMENT OF TRANSPORTATION

ROUTE NO.	SECTION	COUNTY	DIST. SHEETS	SHEET NO.	SHEET NO. 55-1
F.A.P. 338	114R-1	WILL	355	288A	#TOTAL SHEETS
FED. ROAD DIST. NO. 7		ILLINOIS	FED. AID PROJECT		

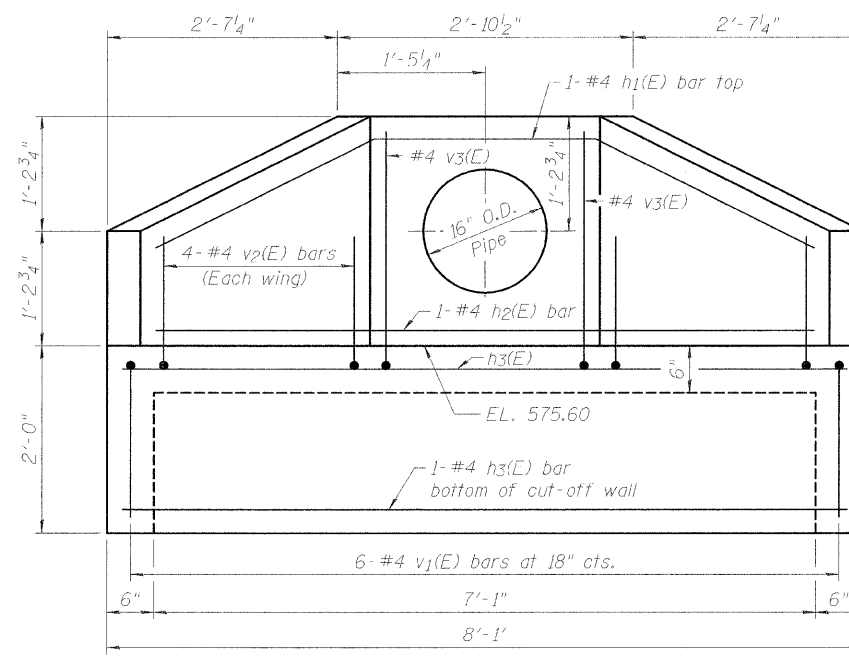
Contract # 62416

**BILL OF MATERIAL**

Bar	No.	Size	Length	Shape
h1(E)	1	#4	10'-2"	
h2(E)	1	#4	9'-6"	
h3(E)	5	#4	7'-9"	
h4(E)	1	#4	4'-10"	
h5(E)	3	#4	11'-11"	
h6(F)	2	#4	4'-6"	
v1(E)	14	#4	3'-0"	
v2(E)	8	#4	2'-10"	
v3(E)	2	#4	4'-0"	
Concrete Headwalls			Cu. Yd.	1.9
Reinforcement Bars, Epoxy Coated			Pound	120
Check Valve, 16"			Each	1



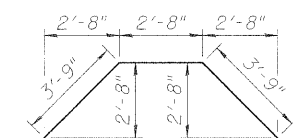
**SIDE VIEW**



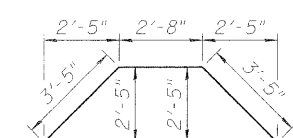
**END VIEW**

**BARS v1(E) THRU v3(E)**

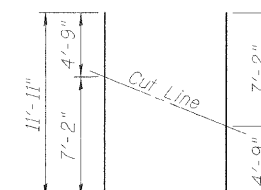
Bar	A	B
v1(E)	1'-6"	1'-6"
v2(E)	1'-6"	1'-4"
v3(E)	1'-6"	2'-6"



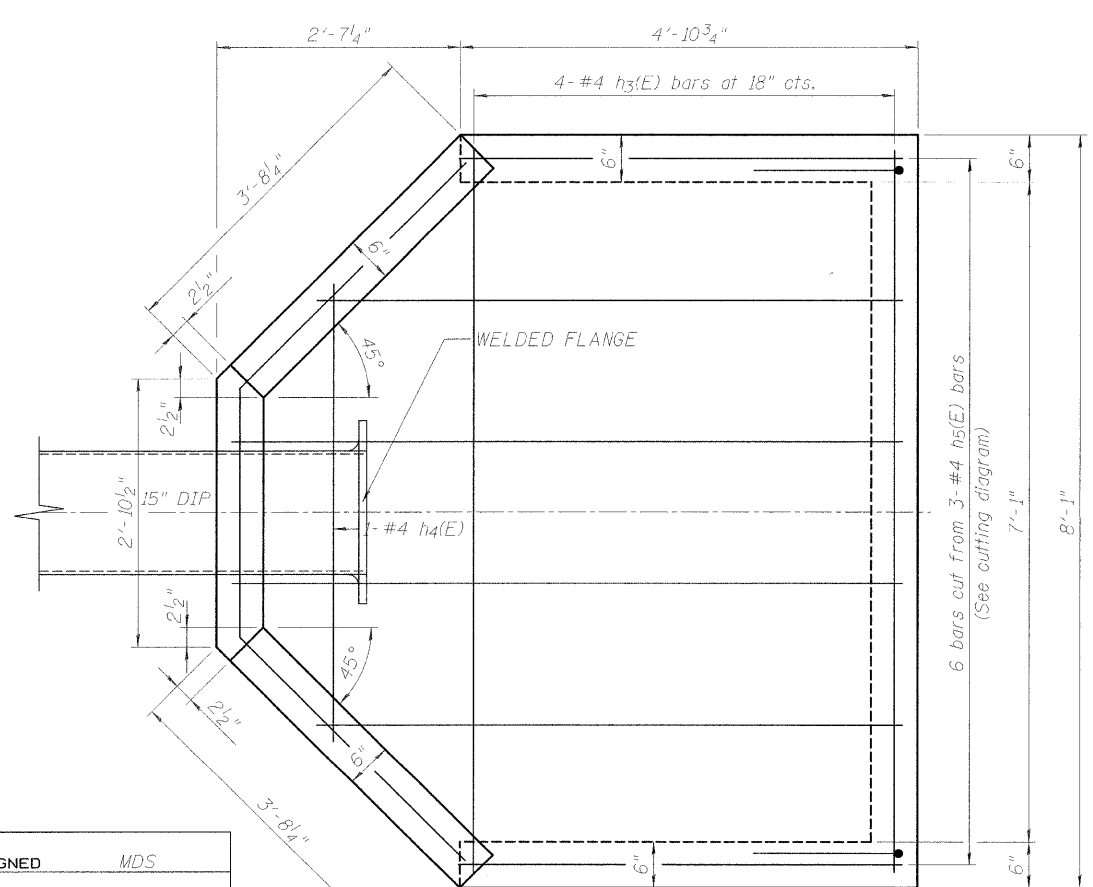
**BAR h1(E)**



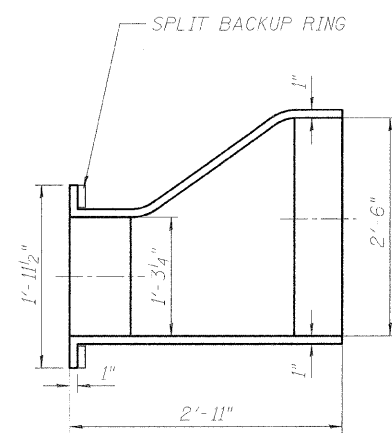
**BAR h2(E)**



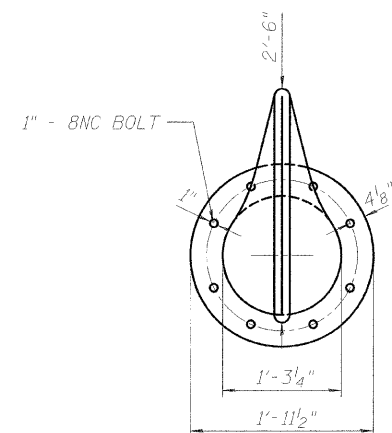
**BAR h5(E)**



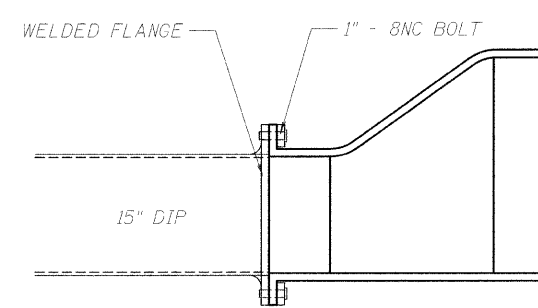
**PLAN**



**SIDE VIEW  
CHECK VALVE**



**END VIEW  
CHECK VALVE**



**SIDE VIEW  
CHECK VALVE  
CONNECTION**

DESIGNED	MDS
CHECKED	RLP
DRAWN	MDS
CHECKED	RLP
REVISED	5/13/08

1

**HEADWALL DETAILS  
STRUCTURE 4-37**  
CONCRETE HEADWALL WITH CHECK VALVE  
F.A.P. ROUTE 338 SECTION 114R-1  
WILL COUNTY

**TranSystems**  
1051 PERIMETER DRIVE, SUITE 1025  
SCHAMBURG, IL 60173-5058  
TEL (847) 605-9600  
FAX (847) 605-9600

Added Sheet 7-18-08