

F.A. RTE.	SECTION	COUNTY	TOTAL SHEETS	SHEET NO.
338	114R-1	WILL	355	1

D-91-123-02

355+2-2-355  
+1  
356

1051 PERIMETER DRIVE, SUITE 1025  
SCHAMBURG, IL 60173  
(847) 605-9600 FAX (847) 605-9610  
TranSystems  
IDOT - REGION ONE BUREAU OF DESIGN/CONSULTANT PROJECT MANAGER: MS. KIM HARVEY, P.E. (847) 705-4555

FOR INDEX OF SHEETS, SEE SHEET NO. 2

STATE OF ILLINOIS  
DEPARTMENT OF TRANSPORTATION  
DIVISION OF HIGHWAYS

**PROPOSED  
HIGHWAY PLANS**

FAP ROUTE 338 (ILLINOIS ROUTE 59)

SECTION: 114R-1

PROJECT NO: ACNHF-ACBHF-0338(035)

U.S. ROUTE 52 (WEST JEFFERSON STREET) TO CATON FARM ROAD  
ROADWAY RECONSTRUCTION, ADDITIONAL LANES, RETAINING WALLS  
CULVERT REPLACEMENT, AND TRAFFIC SIGNAL MODERNIZATION

WILL COUNTY

C-91-123-02

**DESCRIPTION OF IMPROVEMENT:**

THIS IMPROVEMENT CONSISTS OF EARTH EXCAVATION, CONSTRUCTION OF STORM SEWERS AND DRAINAGE STRUCTURES, P.C.C. PAVEMENT RECONSTRUCTION, MODERNIZATION OF TRAFFIC SIGNALS, CONSTRUCTION OF TWO BOX CULVERTS, RETAINING WALLS AND ALL INCIDENTAL AND COLLATERAL WORK AS NECESSARY TO COMPLETE THE IMPROVEMENT SHOWN HEREIN AND AS DESCRIBED IN THE SPECIFICATIONS.

DESIGN DESIGNATION 1080 (20) MAJOR ARTERIAL 7.93 (PCC-20)

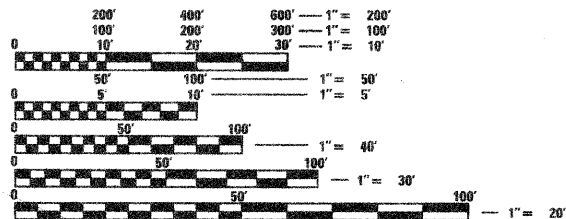
**TRAFFIC DATA:**

ILLINOIS ROUTE 59  
POSTED SPEED 40 MPH (SOUTH OF MEADOW DRIVE)  
DESIGN SPEED 45 MPH  
POSTED SPEED 45 MPH (NORTH OF MEADOW DRIVE)  
DESIGN SPEED 50 MPH  
ADT 22,100 (2006) 33,000 (2030)

**RETAINING WALL:**

STRUCTURE NO. 099-W016  
STRUCTURE NO. 099-W017

IMPROVEMENT LOCATED IN:  
VILLAGE OF SHOREWOOD,  
CITY OF JOLIET, AND  
UNINCORPORATED WILL COUNTY

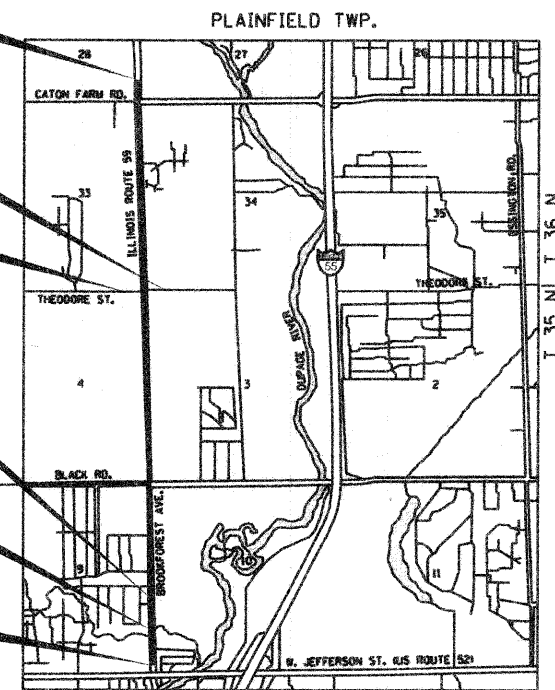


FULL SIZE PLANS HAVE BEEN PREPARED USING STANDARD ENGINEERING SCALES. REDUCED SIZED PLANS WILL NOT CONFORM TO STANDARD SCALES. IN MAKING MEASUREMENTS ON REDUCED PLANS, THE ABOVE SCALES MAY BE USED.

J.U.L.I.E.  
JOINT UTILITY LOCATION INFORMATION FOR EXCAVATION  
1-800-892-0123 OR 811

CONTRACT NO. 62416

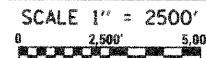
- IMPROVEMENT ENDS  
STATION 3193+25.00  
ILLINOIS ROUTE 59
- IMPROVEMENT LIMIT  
STATION 103+00.00  
THEODORE ST.
- IMPROVEMENT LIMIT  
STATION 97+45.00  
THEODORE ST.
- PROPOSED CULVERT  
LOCATION  
STATION 3051+32.33
- PROPOSED CULVERT  
LOCATION  
STATION 3041+91.63  
STRUCTURE NO.  
099-4660
- IMPROVEMENT BEGINS  
STATION 3032+25.77  
ILLINOIS ROUTE 59



LOCATION MAP

IL ROUTE 59 NET/GROSS LENGTH = 16,099.23 FEET (3.049 MILES)  
IMPROVEMENT NET/GROSS LENGTH = 16,654.23 FEET (3.154 MILES)

LOCATION MAP SCALE



STATE OF ILLINOIS  
DEPARTMENT OF TRANSPORTATION  
DIVISION OF HIGHWAYS

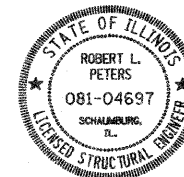
SUBMITTED MARCH 18, 2008

Diana M. O'Keefe DEPUTY DIRECTOR OF HIGHWAYS, REGION ENGINEER  
May 9, 2008

Eric E. Harris ENGINEER OF DESIGN AND ENVIRONMENT  
May 9, 2008

Christina M. Reed DIRECTOR OF HIGHWAYS, CHIEF ENGINEER

PRINTED BY THE AUTHORITY OF THE STATE OF ILLINOIS



Robert L. Peters 3/18/08  
ROBERT L. PETERS, P.E., S.E.  
NO. 081-04697  
EXP. DATE 11/30/08  
SHEETS 259 TO 288



R. Christopher Bonus 3/18/08  
R. CHRISTOPHER BONUS, P.E.  
NO. 062-050801  
EXP. DATE 11/30/09  
SHEETS 1 TO 28, 63 TO 78  
118 TO 172, 185 TO 190 &  
201 TO 258, 308 TO 354



Bruce Talbot 3/18/08  
BRUCE TALBOT, P.E.  
NO. 062-046494  
EXP. DATE 11/30/09  
SHEETS 235, 236  
SHEETS 242, 243



Syed M. Kazi  
SYED M. KAZI, P.E.  
NO. 062-033486  
EXP. DATE 11/30/09  
SHEETS 191 TO 200

Rev. 7-18-08



ITEM NO.	ITEMS	UNIT	URBAN QUANTITY	ACNHF			ACBHF	ACNHF										EMERGENCY VEHICLE PREEMPTION		RIGHT TURN LN (STA. 3167+50 TO STA. 3177+30)	SIDEWALK	
				ROADWAY	CULVERTS	LANDSCAPING	RETAINING WALLS	IL RT 59 @ BLACK ROAD	IL RT 59 @ VERTIN BLVD	IL RT 59 @ STA. 3122+00 LEFT	IL RT 59 @ THEODORE ST	IL RT 59 @ VERMETTE CIRCLE	IL RT 59 @ CATON FARM ROAD	INTERCONNECT	100% SHOREWOOD	100% JOLIET	100% JOLIET	50% STATE 50% SHOREWOOD	50% STATE 50% JOLIET			
20100110	TREE REMOVAL (6 TO 15 UNITS DIAMETER)	UNIT	2,023	J000-2A	X028-2A	Y003	Y007											Y031-3D	J000-1A	SFTY-1B		
20100210	TREE REMOVAL (OVER 15 UNITS DIAMETER)	UNIT	1,067																			
20101000	TEMPORARY FENCE	FOOT	2,976																			
20101100	TREE TRUNK PROTECTION	EACH	80																			
20101200	TREE ROOT PRUNING	EACH	80																			
20200100	EARTH EXCAVATION	CU YD	14,915																			
20201200	REMOVAL AND DISPOSAL OF UNSUITABLE MATERIAL	CU YD	17,847																			
20400800	FURNISHED EXCAVATION	CU YD	91,104																			
20700400	POROUS GRANULAR EMBANKMENT, SPECIAL	CU YD	1,184				1,184															
20700420	POROUS GRANULAR EMBANKMENT, SUBGRADE	CU YD	14,153																			
20800150	TRENCH BACKFILL	CU YD	22,098																			
21001000	GEOTECHNICAL FABRIC FOR GROUND STABILIZATION	SQ YD	4,267																			
21101615	TOPSOIL FURNISH AND PLACE, 4"	SQ YD	23,006																			
21101630	TOPSOIL FURNISH AND PLACE, 8"	SQ YD	41,810																			
21101645	TOPSOIL FURNISH AND PLACE, 12"	SQ YD	7,541																			
21101815	COMPOST FURNISH AND PLACE, 4"	SQ YD	2,959																			
21301052	EXPLORATION TRENCH 52" DEPTH	FOOT	200																			
25000210	SEEDING, CLASS 2A	ACRE	4.50																			
25000310	SEEDING, CLASS 4	ACRE	0.75																			
25000322	SEEDING, CLASS 5A	ACRE	0.75																			
25000400	NITROGEN FERTILIZER NUTRIENT	POUND	1,134																			
25000500	PHOSPHORUS FERTILIZER NUTRIENT	POUND	1,134																			
25000600	POTASSIUM FERTILIZER NUTRIENT	POUND	1,134																			
25000775	SELECTIVE MOWING STAKES	EACH	6																			
25003310	INTERSEEDING, CLASS 4	ACRE	0.75																			
25100115	MULCH, METHOD 2	ACRE	15.25																			
25100630	EROSION CONTROL BLANKET	SQ YD	28,024																			
25200110	SODDING, SALT TOLERANT	SQ YD	47,857																			
25200200	SUPPLEMENTAL WATERING	UNIT	2,441																			
28000200	EARTH EXCAVATION FOR EROSION CONTROL	CU YD	3,229																			
28000250	TEMPORARY EROSION CONTROL SEEDING	POUND	1,514																			
28000500	INLET AND PIPE PROTECTION	EACH	236																			
28000510	INLET FILTERS	EACH	410																			
28001000	AGGREGATE (EROSION CONTROL)	TON	23																			
28100107	STONE RIPRAP, CLASS A4	SQ YD	600			180		420														
28200200	FILTER FABRIC	SQ YD	665			240		425														
31101200	SUB-BASE GRANULAR MATERIAL, TYPE B 4"	SQ YD	<del>31,650</del> 31,650																			
35501308	HOT-MIX ASPHALT BASE COURSE, 6"	SQ YD	109					108														
35501316	HOT-MIX ASPHALT BASE COURSE, 8"	SQ YD	2,538					2,538														
40300100	BITUMINOUS MATERIALS (PRIME COAT)	GALLON	1,857					1,857														
40603310	HOT-MIX ASPHALT SURFACE COURSE, MIX "C", N50	TON	1,295					1,295														
42000416	PORTLAND CEMENT CONCRETE PAVEMENT 9 3/4" (JOINTED)	SQ YD	<del>127,378</del> 127,378					127,378											548			
42001300	PROTECTIVE COAT	SQ YD	77,357					77,357														
42300200	PORTLAND CEMENT CONCRETE DRIVEWAY PAVEMENT, 6 INCH	SQ YD	266					266														

PLAN SURVEYED BY DATE  
 PROFILE PLOTTED BY DATE  
 NOTE BOOK NO. DRAWN BY DATE  
 NO. CHECKED BY DATE  
 NO. STRUCTURE NOTATIONS BY DATE

● SPECIALITY ITEM  
 \*\*100% SHOREWOOD QUANTITIES (NOT IDENTIFIED IN FUNDING BREAKDOWNS NOTED ABOVE)

REVISIONS	
NAME	DATE
REVISED IL59 ALIGN.	12/22/06

ILLINOIS DEPARTMENT OF TRANSPORTATION  
**SUMMARY OF QUANTITIES**  
 ILLINOIS ROUTE 59  
 DATE 3/18/08  
 DRAWN BY FA  
 CHECKED BY RCB  
 SCALE: NONE

7-18-08

Rev.

ITEM NO.	ITEMS	UNIT	URBAN QUANTITY	ACNHF		ACBHF		TRAFFIC SIGNALS						EMERGENCY VEHICLE PREEMPTION		RIGHT TURN LN (STA. 3167+50 TO STA. 3177+30)		SIDEWALK			
				ROADWAY	CULVERTS	LANDSCAPING	RETAINING WALLS	IL RT 59 @ BLACK ROAD	IL RT 59 @ VERTIN BLVD	IL RT 59 @ STA. 3122+00 LEFT	IL RT 59 @ THEODORE ST	IL RT 59 @ VERMETTE CIRCLE	IL RT 59 @ CATON FARM ROAD	INTERCONNECT	100% SHOREWOOD	100% JOLIET	100% JOLIET	50% STATE 50% SHOREWOOD	50% STATE 50% JOLIET		
				80% FED 20% STATE	80% FED 20% STATE	80% FED 20% STATE	80% FED 20% STATE	80% FED 10% STATE 5% SHOREWOOD 5% WILL COUNTY	100% SHOREWOOD	100% JOLIET	80% FED 10% STATE 10% JOLIET	80% FED 10% STATE 10% JOLIET	80% FED 10% STATE 5% JOLIET 5% WILL COUNTY	80% FED 20% STATE	100% SHOREWOOD	100% JOLIET	100% JOLIET	50% STATE 50% SHOREWOOD	50% STATE 50% JOLIET		
				J000-2A	X028-2A	Y003	Y007								Y031-1F		Y031-3D	J000-1A	SFTY-1B		
42300400	PORTLAND CEMENT CONCRETE DRIVEWAY PAVEMENT, 8 INCH	SQ YD	1,189	1,189																	
42400200	PORTLAND CEMENT CONCRETE SIDEWALK 5 INCH	SQ FT	88,062	15,873																20,905	51,284
42400800	DETECTABLE WARNINGS	SQ FT	990	720																90	180
44000100	PAVEMENT REMOVAL	SQ YD	96,052	96,052																	
44000200	DRIVEWAY PAVEMENT REMOVAL	SQ YD	8,240	8,240																	
44000300	CURB REMOVAL	FOOT	280	280																	
44000500	COMBINATION CURB AND GUTTER REMOVAL	FOOT	15,684	15,684																	
44000600	SIDEWALK REMOVAL	SQ FT	20,099	20,099																	
44002400	CURB REMOVAL (SPECIAL)	FOOT	82	82																	
44003100	MEDIAN REMOVAL	SQ FT	2,333	2,333																	
44003800	MEDIAN SURFACE REMOVAL	SQ FT	9,067	9,067																	
44004250	PAVED SHOULDER REMOVAL	SQ YD	4,613	4,613																	
44200144	PAVEMENT PATCHING, TYPE II, 12 INCH	SQ YD	100	100																	
44200148	PAVEMENT PATCHING, TYPE III, 12 INCH	SQ YD	244	244																	
44200150	PAVEMENT PATCHING, TYPE IV, 12 INCH	SQ YD	1,240	1,240																	
48101200	AGGREGATE SHOULDERS, TYPE B	TON	7,810	7,810																	
48203021	HOT-MIX ASPHALT SHOULDERS, 6"	SQ YD	1,061	1,061																	
50100100	REMOVAL OF EXISTING STRUCTURES	EACH	1		1																
50104400	CONCRETE HEADWALL REMOVAL	EACH	2		2																
50200100	STRUCTURE EXCAVATION	CU YD	4,059				4,059														
50300225	CONCRETE STRUCTURES	CU YD	1,043				1,043														
50800105	REINFORCEMENT BARS	POUND	179,910	30		179,880															
50800205	REINFORCEMENT BARS, EPOXY COATED	POUND	147,960	120		145,820															
50800515	BAR SPLICERS	EACH	253		253																
50900805	PEDESTRIAN RAILING	FOOT	199		13		186														
51500100	NAME PLATES	EACH	1		1																
54001000	BOX CULVERT END SECTIONS	EACH	1		1																
54003000	CONCRETE BOX CULVERTS	CU YD	934.4		934.4																
54010404	PRECAST CONCRETE BOX CULVERT 4' X 4'	FOOT	87.0		87																
54200430	PIPE CULVERTS, TYPE 1 RCCP 15"	FOOT	241		241																
54201270	PIPE CULVERTS, TYPE 2 RCCP 15"	FOOT	51		51																
54213657	PRECAST REINFORCED CONCRETE FLARED END SECTIONS 12"	EACH	6		6																
54213660	PRECAST REINFORCED CONCRETE FLARED END SECTIONS 15"	EACH	13		13																
54213663	PRECAST REINFORCED CONCRETE FLARED END SECTIONS 18"	EACH	1		1																
54213669	PRECAST REINFORCED CONCRETE FLARED END SECTIONS 24"	EACH	1		1																
54213681	PRECAST REINFORCED CONCRETE FLARED END SECTIONS 36"	EACH	1		1																
54213870	STEEL END SECTIONS 15"	EACH	4		4																
54213879	STEEL END SECTIONS 24"	EACH	1		1																
54213903	STEEL END SECTIONS 48"	EACH	1		1																
54214515	PRECAST REINFORCED CONCRETE FLARED END SECTIONS, EQUIVALENT ROUND-SIZE 30"	EACH	1		1																
5421D012	PIPE CULVERTS, CLASS D, TYPE 1 12" (TEMPORARY)	FOOT	67		67																
5421D015	PIPE CULVERTS, CLASS D, TYPE 1 15" (TEMPORARY)	FOOT	124		124																
5421D024	PIPE CULVERTS, CLASS D, TYPE 1 24" (TEMPORARY)	FOOT	75		75																
5421D042	PIPE CULVERTS, CLASS D, TYPE 1 42" (TEMPORARY)	FOOT	40		40																

● SPECIALITY ITEM  
 \*\*100% SHOREWOOD QUANTITIES NOT IDENTIFIED IN FUNDING BREAKDOWNS NOTED ABOVE

REVISIONS	
NAME	DATE
REVISED IL59 ALIGN.	12/22/06

ILLINOIS DEPARTMENT OF TRANSPORTATION  
**SUMMARY OF QUANTITIES**  
 ILLINOIS ROUTE 59  
 DATE 3/18/08  
 DRAWN BY FA  
 CHECKED BY RCB  
 SCALE: NONE

Rev. 7-18-08

PLAN REVISIONS BY DATE  
 1. ALIGNED CHECKED  
 2. NOTE BOOK  
 3. NO.

PROFILE REVISIONS BY DATE  
 1. GRADES CHECKED  
 2. NOTE BOOK  
 3. NO.

ACNHF      AOBHF      ACNHF

ITEM NO.	ITEMS	UNIT	URBAN QUANTITY	ROADWAY		LANDSCAPING	RETAINING WALLS	TRAFFIC SIGNALS						EMERGENCY VEHICLE PREEMPTION		RIGHT TURN LN (STA. 3167+50 TO STA. 3177+30)	SIDEWALK		
				80% FED 20% STATE	80% FED 20% STATE			IL RT 59 @ BLACK ROAD	IL RT 59 @ VERTIN BLVD	IL RT 59 @ STA. 3122+00 LEFT	IL RT 59 @ THEODORE ST	IL RT 59 @ VERMETTE CIRCLE	IL RT 59 @ CATON FARM ROAD	INTERCONNECT	100% SHOREWOOD		100% JOLIET	50% STATE 50% SHOREWOOD	50% STATE 50% JOLIET
				J000-2A	X028-2A			Y003	Y007	80% FED 10% STATE 5% SHOREWOOD 5% WILL COUNTY	100% SHOREWOOD	100% JOLIET	80% FED 10% STATE 10% JOLIET	80% FED 10% STATE 10% JOLIET	80% FED 10% STATE 5% JOLIET 5% WILL COUNTY		80% FED 20% STATE	Y031-1F	Y031-3D
5422D048	PIPE CULVERTS, CLASS D, TYPE 2 48" (TEMPORARY)	FOOT	70	70															
54247130	GRATING FOR CONCRETE FLARED END SECTION 24"	EACH	1	1															
54247170	GRATING FOR CONCRETE FLARED END SECTION 36"	EACH	1	1															
54248150	GRATING FOR CONCRETE FLARED END SECTION EQUIVALENT ROUND-SIZE 30"	EACH	1	1															
<del>54248500</del>	<del>CONCRETE HEADWALLS</del>	<del>CU YD</del>	<del>3</del>	<del>3</del>															
542D5503	PIPE CULVERTS, CLASS D, TYPE 1 EQUIVALENT ROUND-SIZE 48"	FOOT	12	12															
550A0050	STORM SEWERS, CLASS A, TYPE 1 12"	FOOT	1,442	1,442															
550A0070	STORM SEWERS, CLASS A, TYPE 1 15"	FOOT	524	524															
550A0090	STORM SEWERS, CLASS A, TYPE 1 18"	FOOT	85	85															
550A0120	STORM SEWERS, CLASS A, TYPE 1 24"	FOOT	435	435															
550A0180	STORM SEWERS, CLASS A, TYPE 1 42"	FOOT	108	108															
550A0340	STORM SEWERS, CLASS A, TYPE 2 12"	FOOT	4,608	4,608															
550A0360	STORM SEWERS, CLASS A, TYPE 2 15"	FOOT	1,884	1,884															
550A0380	STORM SEWERS, CLASS A, TYPE 2 18"	FOOT	2,750	2,750															
550A0400	STORM SEWERS, CLASS A, TYPE 2 21"	FOOT	430	430															
550A0410	STORM SEWERS, CLASS A, TYPE 2 24"	FOOT	2,007	2,007															
550A0420	STORM SEWERS, CLASS A, TYPE 2 27"	FOOT	308	308															
550A0430	STORM SEWERS, CLASS A, TYPE 2 30"	FOOT	459	459															
550A0450	STORM SEWERS, CLASS A, TYPE 2 36"	FOOT	1,157	1,157															
550A0470	STORM SEWERS, CLASS A, TYPE 2 42"	FOOT	1,685	1,685															
<del>550A0520</del>	<del>STORM SEWERS, CLASS A, TYPE 2 72"</del>	<del>FOOT</del>	<del>106</del>	<del>106</del>															
550A0480	STORM SEWERS, CLASS A, TYPE 2 48"	FOOT	878	878															
550A0680	STORM SEWERS, CLASS A, TYPE 3 18"	FOOT	92	92															
550A0710	STORM SEWERS, CLASS A, TYPE 3 24"	FOOT	90	90															
550A0750	STORM SEWERS, CLASS A, TYPE 3 36"	FOOT	439	439															
55034500	STORM SEWERS, TYPE 1, REINFORCED CONCRETE ELLIPTICAL PIPE, SPAN 38, RISE 24	FOOT	94	94															
55035300	STORM SEWERS, TYPE 2, REINFORCED CONCRETE ELLIPTICAL PIPE, SPAN 23, RISE 14	FOOT	479	479															
55035700	STORM SEWERS, TYPE 2, REINFORCED CONCRETE ELLIPTICAL PIPE, SPAN 45, RISE 29	FOOT	120	120															
55035800	STORM SEWERS, TYPE 2, REINFORCED CONCRETE ELLIPTICAL PIPE, SPAN 53, RISE 34	FOOT	201	201															
55039700	STORM SEWERS TO BE CLEANED	FOOT	4,569	4,569															
55100100	STORM SEWER REMOVAL 4"	FOOT	50	50															
55100300	STORM SEWER REMOVAL 8"	FOOT	123	123															
55100400	STORM SEWER REMOVAL 10"	FOOT	59	59															
55100500	STORM SEWER REMOVAL 12"	FOOT	2,112	2,112															
55100700	STORM SEWER REMOVAL 15"	FOOT	2,582	2,582															
55100900	STORM SEWER REMOVAL 18"	FOOT	2,249	2,249															
55101100	STORM SEWER REMOVAL 21"	FOOT	139	139															
55101200	STORM SEWER REMOVAL 24"	FOOT	1,135	1,135															
55101300	STORM SEWER REMOVAL 27"	FOOT	400	400															
55101400	STORM SEWER REMOVAL 30"	FOOT	185	185															
55101600	STORM SEWER REMOVAL 36"	FOOT	211	211															
55101800	STORM SEWER REMOVAL 42"	FOOT	189	189															
55101900	STORM SEWER REMOVAL 48"	FOOT	61	61															
55102100	STORM SEWER REMOVAL 60"	FOOT	17	17															
59100100	GEOCOMPOSITE WALL DRAIN	SQ YD	789	789															
60100060	CONCRETE HEADWALL FOR PIPE DRAINS	EACH	11	11															

PLAN SHEETS BY DATE  
 REVISIONS BY DATE  
 CHECKED BY DATE  
 DRAWN BY DATE  
 NO. DATE

PROFILE SHEETS BY DATE  
 REVISIONS BY DATE  
 CHECKED BY DATE  
 DRAWN BY DATE  
 NO. DATE

• SPECIALITY ITEM  
 \*\*100% SHOREWOOD QUANTITIES NOT IDENTIFIED IN FUNDING BREAKDOWNS NOTED ABOVE.  
 ▲ Non-participating

REVISIONS	
NAME	DATE
REVISED IL59 ALIGN.	12/22/08

ILLINOIS DEPARTMENT OF TRANSPORTATION  
**SUMMARY OF QUANTITIES**  
 ILLINOIS ROUTE 59  
 DATE 3/18/08  
 DRAWN BY FA  
 CHECKED BY RCB  
 SCALE: NONE

Rev. 7-18-08



ITEM NO.	ITEMS	UNIT	URBAN QUANTITY	ROADWAY	CULVERTS	LANDSCAPING	RETAINING WALLS	TRAFFIC SIGNALS							EMERGENCY VEHICLE PREEMPTION		RIGHT TURN LN (STA. 3167+50 TO STA. 3177+30)	SIDEWALK	
				80% FED 20% STATE	80% FED 20% STATE	80% FED 20% STATE	80% FED 20% STATE	IL RT 59 @ BLACK ROAD	IL RT 59 @ VERTIN BLVD	IL RT 59 @ STA. 3122+00 LEFT	IL RT 59 @ THEODORE ST	IL RT 59 @ VERMETTE CIRCLE	IL RT 59 @ CATON FARM ROAD	INTERCONNECT	100% SHOREWOOD	100% JOLIET	100% JOLIET	50% STATE 50% SHOREWOOD	50% STATE 50% JOLIET
60108100	PIPE UNDERDRAINS 4" (SPECIAL)	FOOT	250	J000-2A	X028-2A	Y003	Y007					Y031-1F			Y031-3D	J000-1A	SFTY-1B		
60109510	PIPE UNDERDRAINS, FABRIC LINED TRENCH 4"	FOOT	33,275	33,275															
60109580	PIPE UNDERDRAINS FOR STRUCTURES 4"	FOOT	636				636												
60200105	CATCH BASINS, TYPE A, 4'-DIAMETER, TYPE 1 FRAME, OPEN LID	EACH	3	3															
60200805	CATCH BASINS, TYPE A, 4'-DIAMETER, TYPE 8 GRATE	EACH	35	35															
60201340	CATCH BASINS, TYPE A, 4'-DIAMETER, TYPE 24 FRAME AND GRATE	EACH	148	148															
60204505	CATCH BASINS, TYPE A, 5'-DIAMETER, TYPE 8 GRATE	EACH	6	6															
60205040	CATCH BASINS, TYPE A, 5'-DIAMETER, TYPE 24 FRAME AND GRATE	EACH	8	8															
60207605	CATCH BASINS, TYPE C, TYPE 8 GRATE	EACH	10	10															
60208240	CATCH BASINS, TYPE C, TYPE 24 FRAME AND GRATE	EACH	10	10															
60218400	MANHOLES, TYPE A, 4'-DIAMETER, TYPE 1 FRAME, CLOSED LID	EACH	30	30															
60219540	MANHOLES, TYPE A, 4'-DIAMETER, TYPE 24 FRAME AND GRATE	EACH	4	4															
60221100	MANHOLES, TYPE A, 5'-DIAMETER, TYPE 1 FRAME, CLOSED LID	EACH	77	77															
60221700	MANHOLES, TYPE A, 5'-DIAMETER, TYPE 8 GRATE	EACH	5	5															
60222240	MANHOLES, TYPE A, 5'-DIAMETER, TYPE 24 FRAME AND GRATE	EACH	1	1															
60223800	MANHOLES, TYPE A, 6'-DIAMETER, TYPE 1 FRAME, CLOSED LID	EACH	12	12															
60236200	INLETS, TYPE A, TYPE 8 GRATE	EACH	9	9															
60237470	INLETS, TYPE A, TYPE 24 FRAME AND GRATE	EACH	132	132															
60224446	MANHOLES, TYPE A, 7'-DIAMETER, TYPE 1 FRAME, CLOSED LID	EACH	3	3															
60250200	CATCH BASINS TO BE ADJUSTED	EACH	6	6															
60250500	CATCH BASINS TO BE ADJUSTED WITH NEW TYPE 1 FRAME, CLOSED LID	EACH	3	3															
60251500	CATCH BASINS TO BE ADJUSTED WITH NEW TYPE 11 FRAME AND GRATE	EACH	1	1															
60255500	MANHOLES TO BE ADJUSTED	EACH	30	30															
60255800	MANHOLES TO BE ADJUSTED WITH NEW TYPE 1 FRAME, CLOSED LID	EACH	2	2															
60257900	MANHOLES TO BE RECONSTRUCTED	EACH	1	1															
60260050	SANITARY MANHOLES TO BE RECONSTRUCTED	EACH	2	2															
60260100	INLETS TO BE ADJUSTED	EACH	6	6															
60500040	REMOVING MANHOLES	EACH	32	32															
60500050	REMOVING CATCH BASINS	EACH	24	24															
60500060	REMOVING INLETS	EACH	37	37															
60600605	CONCRETE CURB, TYPE B	FOOT	2,059	2,059															
60601005	CONCRETE CURB, TYPE B (SPECIAL)	FOOT	136	136															
60603800	COMBINATION CONCRETE CURB AND GUTTER, TYPE B-6.12	FOOT	4,009	4,009															
60605000	COMBINATION CONCRETE CURB AND GUTTER, TYPE B-6.24	FOOT	41,433	41,433															
60608600	COMBINATION CONCRETE CURB AND GUTTER, TYPE M-6.06	FOOT	229	229															
60618300	CONCRETE MEDIAN SURFACE, 4 INCH	SQ FT	1,095	1,095															
60620000	CONCRETE MEDIAN, TYPE SB-6.24	SQ FT	8,741	8,741															
60619124	CONCRETE MEDIAN, TYPE SB-6 (SPECIAL)	SQ FT	16,430	16,430															
60619600	CONCRETE MEDIAN, TYPE SB-6.12	SQ FT	683	683															
60624600	CORRUGATED MEDIAN	SQ FT	7,195	7,195															
63000000	STEEL PLATE BEAM GUARD RAIL, TYPE A	FOOT	1,600	1,600															
63100167	TRAFFIC BARRIER TERMINAL, TYPE 1 (SPECIAL) TANGENT	EACH	4	4															
63100169	TRAFFIC BARRIER TERMINAL, TYPE 1 (SPECIAL) FLARED	EACH	3	3															
63200310	GUARDRAIL REMOVAL	FOOT	1,764	1,764															

• SPECIALITY ITEM  
 \*\*100% SHOREWOOD QUANTITIES "NOT IDENTIFIED" IN FUNDING BREAKDOWNS NOTED ABOVE\*\*

REVISIONS	
NAME	DATE
REVISED IL59 ALIGN.	12/22/06

Rev 7-18-08

PLAN REVISIONS BY DATE  
 1. PLOTTED  
 2. REVISED  
 3. REVISED  
 4. REVISED  
 5. REVISED  
 NO. 10000

PROFILE REVISIONS BY DATE  
 1. PLOTTED  
 2. REVISED  
 3. REVISED  
 4. REVISED  
 5. REVISED  
 NO. 10000

ACNHF | ACBHF | ACNHF

ITEM NO.	ITEMS	UNIT	URBAN QUANTITY	ROADWAY				TRAFFIC SIGNALS						EMERGENCY VEHICLE PREEMPTION		RIGHT TURN LN (STA. 3167+50 TO STA. 3177+30)	SIDEWALK		
				80% FED 20% STATE	80% FED 20% STATE	80% FED 20% STATE	80% FED 20% STATE	IL RT 59 @ BLACK ROAD	IL RT 59 @ VERTIN BLVD	IL RT 59 @ STA. 3122+00 LEFT	IL RT 59 @ THEODORE ST	IL RT 59 @ VERMETTE CIRCLE	IL RT 59 @ CATON FARM ROAD	INTERCONNECT	100% SHOREWOOD	100% JOLIET	100% JOLIET	50% STATE 50% SHOREWOOD	50% STATE 50% JOLIET
				J000-2A	X028-2A	Y003	Y007	80% FED 10% STATE 5% SHOREWOOD 5% WILL COUNTY	100% SHOREWOOD	100% JOLIET	80% FED 10% STATE 10% JOLIET	80% FED 10% STATE 10% JOLIET	80% FED 10% STATE 5% JOLIET 5% WILL COUNTY	80% FED 20% STATE	Y031-1F	Y031-3D	J000-1A	SFTY-1B	
63300705	RUB RAIL	FOOT	600	600															
66400525	CHAIN LINK FENCE, 4' ATTACHED TO STRUCTURE	FOOT	530		118		412												
67000600	ENGINEER'S FIELD LABORATORY	CAL MO	24	24															
67100100	MOBILIZATION	L SUM	1	1															
70101800	TRAFFIC CONTROL AND PROTECTION, (SPECIAL)	L SUM	1	1															
70103816	TRAFFIC CONTROL SURVEILLANCE	CAL MO	24	24															
70106800	CHANGEABLE MESSAGE SIGN	CAL MO	24	24															
70300100	SHORT-TERM PAVEMENT MARKING	FOOT	12,000	12,000															
70300220	TEMPORARY PAVEMENT MARKING - LINE 4"	FOOT	362,879	362,879															
70300240	TEMPORARY PAVEMENT MARKING - LINE 6"	FOOT	18,150	18,150															
70300260	TEMPORARY PAVEMENT MARKING - LINE 12"	FOOT	11,095	11,095															
70300280	TEMPORARY PAVEMENT MARKING - LINE 24"	FOOT	2,094	2,094															
70300510	PAVEMENT MARKING TAPE, TYPE III - LETTERS AND SYMBOLS	SQ FT	15,931	15,931															
70300520	PAVEMENT MARKING TAPE, TYPE III 4"	FOOT	493,613	493,613															
70300540	PAVEMENT MARKING TAPE, TYPE III 6"	FOOT	73,408	73,408															
70300560	PAVEMENT MARKING TAPE, TYPE III 12"	FOOT	9,266	9,266															
70300570	PAVEMENT MARKING TAPE, TYPE III 24"	FOOT	5,066	5,066															
70300610	TEMPORARY PAINT PAVEMENT MARKING, LETTERS AND SYMBOLS	SQ FT	4,194	4,194															
70301000	WORK ZONE PAVEMENT MARKING REMOVAL	SQ FT	284,672	284,672															
70400100	TEMPORARY CONCRETE BARRIER	FOOT	465	465															
70400200	RELOCATE TEMPORARY CONCRETE BARRIER	FOOT	465	465															
72000100	SIGN PANEL - TYPE 1	SQ FT	643	485				29	23	8	32	33	33						
72000200	SIGN PANEL - TYPE 2	SQ FT	12	12															
72400100	REMOVE SIGN PANEL ASSEMBLY - TYPE A	EACH	33	33															
72400200	REMOVE SIGN PANEL ASSEMBLY - TYPE B	EACH	5	5															
72400310	REMOVE SIGN PANEL - TYPE 1	SQ FT	42	42															
72400500	RELOCATE SIGN PANEL ASSEMBLY - TYPE A	EACH	56	56															
72400600	RELOCATE SIGN PANEL ASSEMBLY - TYPE B	EACH	7	7															
72400710	RELOCATE SIGN PANEL - TYPE 1	SQ FT	3	3															
72900100	METAL POST - TYPE A	FOOT	1,029	1,029															
72900200	METAL POST - TYPE B	FOOT	249	249															
78000100	THERMOPLASTIC PAVEMENT MARKING - LETTERS AND SYMBOLS	SQ FT	576	576															
78000200	THERMOPLASTIC PAVEMENT MARKING - LINE 4"	FOOT	10,920	10,920															
78000400	THERMOPLASTIC PAVEMENT MARKING - LINE 6"	FOOT	2,202	2,202															
78000600	THERMOPLASTIC PAVEMENT MARKING - LINE 12"	FOOT	617	617															
78000650	THERMOPLASTIC PAVEMENT MARKING - LINE 24"	FOOT	59	59															
78008200	POLYUREA PAVEMENT MARKING TYPE I - LETTERS AND SYMBOLS	SQ FT	4,383	4,383															
78008210	POLYUREA PAVEMENT MARKING TYPE I - LINE 4"	FOOT	76,626	76,626															
78008230	POLYUREA PAVEMENT MARKING TYPE I - LINE 6"	FOOT	26,551	26,551															
78008240	POLYUREA PAVEMENT MARKING TYPE I - LINE 8"	FOOT	27	27															
78008250	POLYUREA PAVEMENT MARKING TYPE I - LINE 12"	FOOT	1,280	1,280															
78008270	POLYUREA PAVEMENT MARKING TYPE I - LINE 24"	FOOT	2,038	2,038															
78100100	RAISED REFLECTIVE PAVEMENT MARKER	EACH	2,311	2,311															
78100200	TEMPORARY RAISED REFLECTIVE PAVEMENT MARKER	EACH	4,845	4,845															

PLAN  
 DRAWN BY: [Name]  
 CHECKED BY: [Name]  
 DATE: [Date]  
 NOTE BOOK NO. [Number]  
 STRUCTURE RETAINING [Type]

PROFILE  
 DRAWN BY: [Name]  
 CHECKED BY: [Name]  
 DATE: [Date]  
 NOTE BOOK NO. [Number]  
 STRUCTURE RETAINING [Type]

● SPECIALITY ITEM  
 \*\*100% SHOREWOOD QUANTITIES (NOT IDENTIFIED IN FUNDING BREAKDOWNS NOTED ABOVE)

REVISIONS	
NAME	DATE
REVISED IL59 ALIGN.	12/22/06

ILLINOIS DEPARTMENT OF TRANSPORTATION  
**SUMMARY OF QUANTITIES**  
 ILLINOIS ROUTE 59  
 DATE 3/18/08  
 DRAWN BY FA  
 CHECKED BY RCB  
 SCALE: NONE

Rev. 7-18-08





ITEM NO.	ITEMS	UNIT	URBAN QUANTITY	ACNHF		ACBHF		TRAFFIC SIGNALS							EMERGENCY VEHICLE PREEMPTION		RIGHT TURN LN (STA. 3167+50 TO STA. 3177+30)	SIDEWALK	
				ROADWAY	CULVERTS	LANDSCAPING	RETAINING WALLS	IL RT 59 @ BLACK ROAD	IL RT 59 @ VERTIN BLVD	IL RT 59 @ STA. 3122+00 LEFT	IL RT 59 @ THEODORE ST	IL RT 59 @ VERMETTE CIRCLE	IL RT 59 @ CATON FARM ROAD	INTERCONNECT	100% SHOREWOOD	100% JOLIET	100% JOLIET	50% STATE 50% SHOREWOOD	50% STATE 50% JOLIET
				80% FED 20% STATE	80% FED 20% STATE	80% FED 20% STATE	80% FED 20% STATE	80% FED 10% STATE 5% SHOREWOOD 5% WILL COUNTY	100% SHOREWOOD	100% JOLIET	80% FED 10% STATE 10% JOLIET	80% FED 10% STATE 10% JOLIET	80% FED 10% STATE 5% JOLIET 5% WILL COUNTY	80% FED 20% STATE	100% SHOREWOOD	100% JOLIET	100% JOLIET	50% STATE 50% SHOREWOOD	50% STATE 50% JOLIET
X0323670	PREFORMED DETECTOR LOOP	FOOT	6,395					2,495	547	629	949	912	863						
X0323973	SEDIMENT CONTROL, SILT FENCE	FOOT	8,284	8,284															
X0323974	SEDIMENT CONTROL, SILT FENCE MAINTENANCE	FOOT	8,284	8,284															
X0323988	TEMPORARY SOIL RETENTION SYSTEM	SQ FT	1,590		1,590														
X0323797	PAINT NEW TRAFFIC SIGNAL POST	EACH	5					4	1										
X0324232	PAINT NEW MAST ARM POLE, UNDER 40 FEET	EACH	2						2										
X0325096	OPTIMIZE TRAFFIC SIGNAL SYSTEM	L SUM	1											1					
X0325141	PAINT NEW MAST ARM POLE, 40 FEET AND OVER	EACH	6					4	2										
X0325737	TEMPORARY TRAFFIC SIGNAL TIMING	EACH	5					2	1		1		1						
X0545000	BOX CULVERT REMOVAL	FOOT	358	273	85														
X0712400	TEMPORARY PAVEMENT	SQ YD	31,650	31,650															
X2111000	TOPSOIL EXCAVATION	CU YD	37,851	37,851															
X2800100	TEMPORARY DITCH CHECKS, ROLLED EXCELSIOR	EACH	608	608															
X4021000	TEMPORARY ACCESS (PRIVATE ENTRANCE)	EACH	24	24															
X4022000	TEMPORARY ACCESS (COMMERCIAL ENTRANCE)	EACH	33	33															
X4023000	TEMPORARY ACCESS (ROAD)	EACH	20	20															
X4200500	HIGH-EARLY-STRENGTH PORTLAND CEMENT CONCRETE PAVEMENT 9 3/4" (JOINTED)	SQ YD	2,290	2,290															
X4402100	PAVED DITCH REMOVAL	SQ YD	10	10															
X6020074	INLETS, TYPE A, TYPE 3V FRAME AND GRATE	EACH	2	2															
X6050700	REMOVE INLET BOX	EACH	2	2															
X6065701	CONCRETE MEDIAN, TYPE SM-4.06	SQ FT	143	143															
X6700410	ENGINEER'S FIELD OFFICE, TYPE A (SPECIAL)	CAL MO	24	24															
X8050015	SERVICE INSTALLATION - POLE MOUNTED	EACH	6					1	1	1	1	1	1						
X8710020	FIBER OPTIC CABLE IN CONDUIT, NO. 62.5/125, MM12F SM12F	FOOT	15,405											15,405					
X8730027	ELECTRIC CABLE IN CONDUIT, GROUNDING, NO. 6 1C	FOOT	3,997					917	562	498	749	513	758						
X8730250	ELECTRIC CABLE IN CONDUIT NO. 20 3/C, TWISTED, SHIELDED	FOOT	2,204											694	1,510				
X8900010	TEMPORARY TRAFFIC SIGNAL INTERCONNECT	EACH	2					1					1						
XX000610	RELOCATE EXISTING MAILBOX	EACH	8	8															
XX001758	WOOD FENCE REMOVAL	FOOT	2,518	2,518															
XX001875	MANHOLES, TYPE A, 5'-DIAMETER, TYPE 3V FRAME AND GRATE	EACH	7	7															
XX002155	MANHOLES, TYPE A, 6'-DIAMETER, TYPE 3V FRAME AND GRATE	EACH	1	1															
XX004295	CATCH BASINS TO BE ADJUSTED WITH NEW TYPE 3V FRAME AND GRATE	EACH	1	1															
XX004394	CATCH BASINS, TYPE A, 4' DIAMETER, TYPE 3V FRAME AND GRATE	EACH	7	7															
XX004913	REMOVE FIBER OPTIC CABLE FROM CONDUIT	FOOT	3,437											3,437					
XX004990	CATCH BASINS TYPE C, TYPE 3V FRAME AND GRATE	EACH	4	4															
XX005656	INLET FILTER CLEANING	EACH	820	820															
XX006055	MANHOLES, TYPE A, 7' DIAMETER, WITH 2 TYPE 1 FRAME, CLOSED LID, RESTRICTOR PLATE	EACH	1	1															
XX006573	CATCH BASINS, TYPE A, 6'-DIAMETER, TYPE 8 GRATE	EACH	1	1															
XX006574	CATCH BASINS, TYPE A, 6'-DIAMETER, TYPE 24 FRAME AND GRATE	EACH	1	1															
XX006661	UNINTERRUPTABLE POWER SUPPLY	EACH	6					1	1	1	1	1	1						
XX172700	MANHOLES, TYPE A, 8'-DIAMETER, TYPE 1 FRAME, CLOSED LID	EACH	1	1															
Z0001050	AGGREGATE SUBGRADE 12"	SQ YD	143,180	143,180															
Z0013798	CONSTRUCTION LAYOUT	L SUM	1	1															
NP Z0018500	DRAINAGE STRUCTURES TO BE CLEANED	EACH	3	3															

PLAN  
 SUBMITTED BY: \_\_\_\_\_ DATE: \_\_\_\_\_  
 ALTERNATE CHECKED: \_\_\_\_\_  
 NOTE BOOK NO. \_\_\_\_\_  
 FILE NAME: \_\_\_\_\_

PROFILE  
 SUBMITTED BY: \_\_\_\_\_ DATE: \_\_\_\_\_  
 GRADES CHECKED: \_\_\_\_\_  
 STRUCTURE ADJUSTING: \_\_\_\_\_  
 NOTE BOOK NO. \_\_\_\_\_

● SPECIALITY ITEM  
 \*\*\*100% SHOREWOOD QUANTITIES (NOT IDENTIFIED IN FUNDING BREAKDOWNS NOTED ABOVE)  
 NP = Non-Participating

REVISIONS	
NAME	DATE
REVISED IL59 ALIGN.	12/22/08

ILLINOIS DEPARTMENT OF TRANSPORTATION  
**SUMMARY OF QUANTITIES**  
 ILLINOIS ROUTE 59  
 DATE 3/18/08  
 DRAWN BY FA  
 CHECKED BY RCB  
 SCALE: NONE

Rev. 7-19-08

ITEM NO.	ITEMS	UNIT	URBAN QUANTITY	ACNH		ACDH		ACNH										EMERGENCY VEHICLE PREEMPTION		RIGHT TURN LN (STA. 3167+50 TO STA. 3177+30)	SIDEWALK	
				ROADWAY	CULVERTS	LANDSCAPING	RETAINING WALLS	IL RT 59 @ BLACK ROAD	IL RT 59 @ VERTIN BLVD	IL RT 59 @ STA. 3122+00 LEFT	IL RT 59 @ THEODORE ST	IL RT 59 @ VERMETTE CIRCLE	IL RT 59 @ CATON FARM ROAD	INTERCONNECT	100% SHOREWOOD	100% JOLIET	100% JOLIET	50% STATE 50% SHOREWOOD	50% STATE 50% JOLIET			
				80% FED 20% STATE	80% FED 20% STATE	80% FED 20% STATE	80% FED 20% STATE	80% FED 10% STATE 5% SHOREWOOD 5% WILL COUNTY	100% SHOREWOOD	100% JOLIET	80% FED 10% STATE 10% JOLIET	80% FED 10% STATE 10% JOLIET	80% FED 10% STATE 5% JOLIET 5% WILL COUNTY	80% FED 20% STATE	100% SHOREWOOD	100% JOLIET	100% JOLIET	50% STATE 50% SHOREWOOD	50% STATE 50% JOLIET			
				J000-2A	X028-2A	Y003	Y007								Y031-1F		Y031-3D	J000-1A	SFTY-1B			
Z0022800	FENCE REMOVAL	FOOT	140	140																		
Z0030240	IMPACT ATTENUATORS, TEMPORARY (NON- REDIRECTIVE), TEST LEVEL 2	EACH	5	5																		
Z0030340	IMPACT ATTENUATORS, RELOCATE (NON- REDIRECTIVE), TEST LEVEL 2	EACH	5	5																		
Z0064800	SELECTIVE CLEARING	UNIT	90	90																		
Z0076600	TRAINEES	HOUR	5000	5000																		
K0029622	BROADLEAF WEED CONTROL IN TURF	GALLON	2.5	2.50																		
X0325986	STEEL MAST ARM ASSEMBLY AND POLE WITH DUAL MAST ARMS, 30 FT. AND 54 FT.	EACH	1																			
X0325987	STEEL MAST ARM ASSEMBLY AND POLE WITH DUAL MAST ARMS, 28 FT. AND 48 FT.	EACH	1																			
X0325988	STEEL MAST ARM ASSEMBLY AND POLE WITH DUAL MAST ARMS, 22 FT. AND 34 FT.	EACH	1																			
X0324718	CHECK VALVE 16"	EACH	1	1																		

PLAN REVISIONS BY DATE  
 IN ORDER...  
 NOTE BOOK...  
 NO.

PROFILE REVISIONS BY DATE  
 IN ORDER...  
 NOTE BOOK...  
 NO.

• SPECIALITY ITEM  
 \*\*\*100% SHOREWOOD QUANTITIES (NOT IDENTIFIED IN FUNDING BREAKDOWNS NOTED ABOVE).  
 ▲ 1080

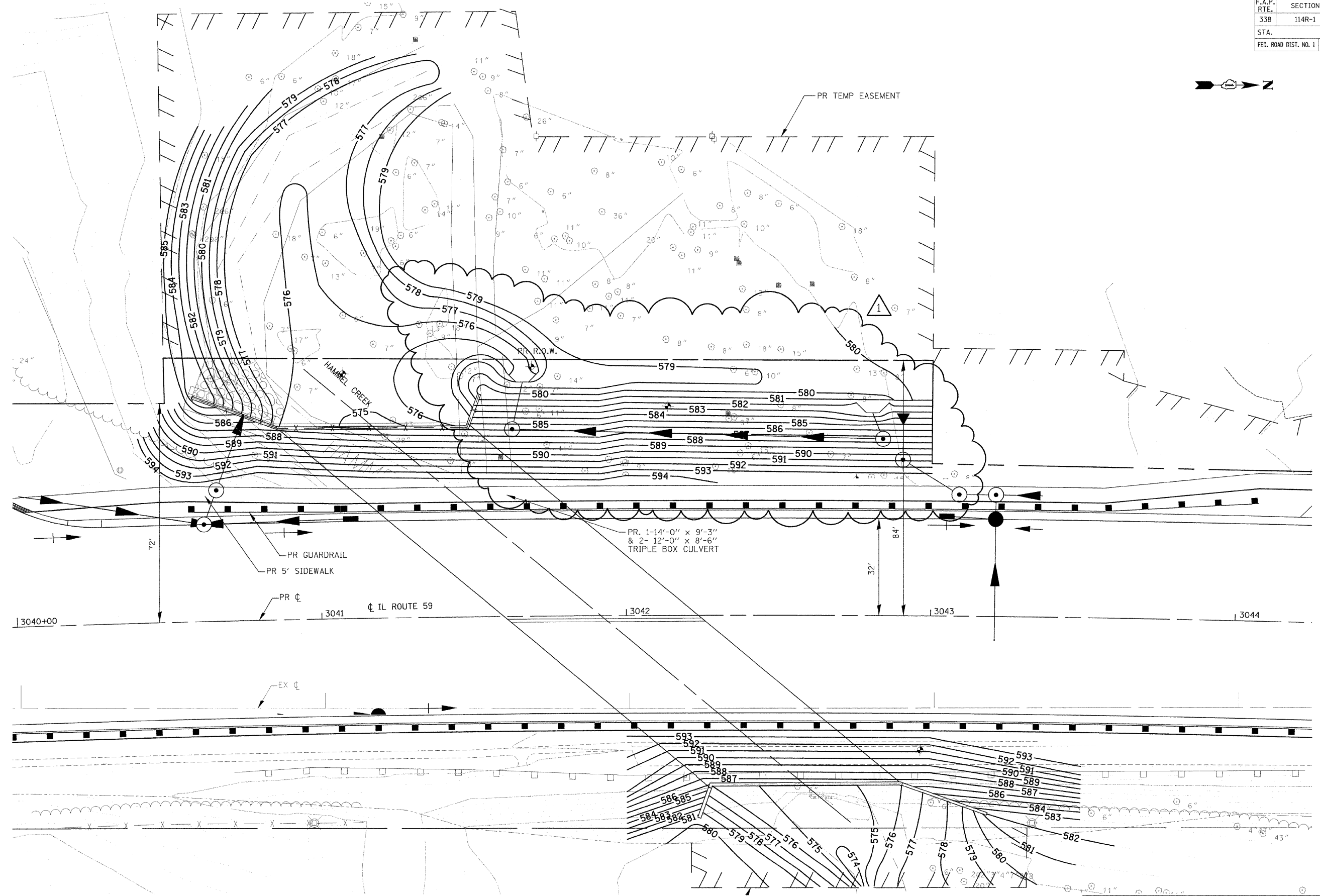
REVISIONS	
NAME	DATE
REVISED IL59 ALIGN.	12/22/06

ILLINOIS DEPARTMENT OF TRANSPORTATION  
**SUMMARY OF QUANTITIES**  
 ILLINOIS ROUTE 59  
 SCALE: NONE  
 DATE 3/18/08  
 DRAWN BY FA  
 CHECKED BY RCB

Rev. 7-17-08







PLAN	SURVEYED	DATE
NOTE BOOK	ALIGNED	
NO.	BY	
	BY	
	DATE	

PROFILE	SURVEYED	DATE
NOTE BOOK	ALIGNED	
NO.	BY	
	BY	
	DATE	

REVISIONS	
NAME	DATE
REVISOR	
REVISOR	
REVISOR	
REVISOR	
REVISOR	
REVISOR	
REVISOR	
REVISOR	
REVISOR	
REVISOR	

ILLINOIS DEPARTMENT OF TRANSPORTATION

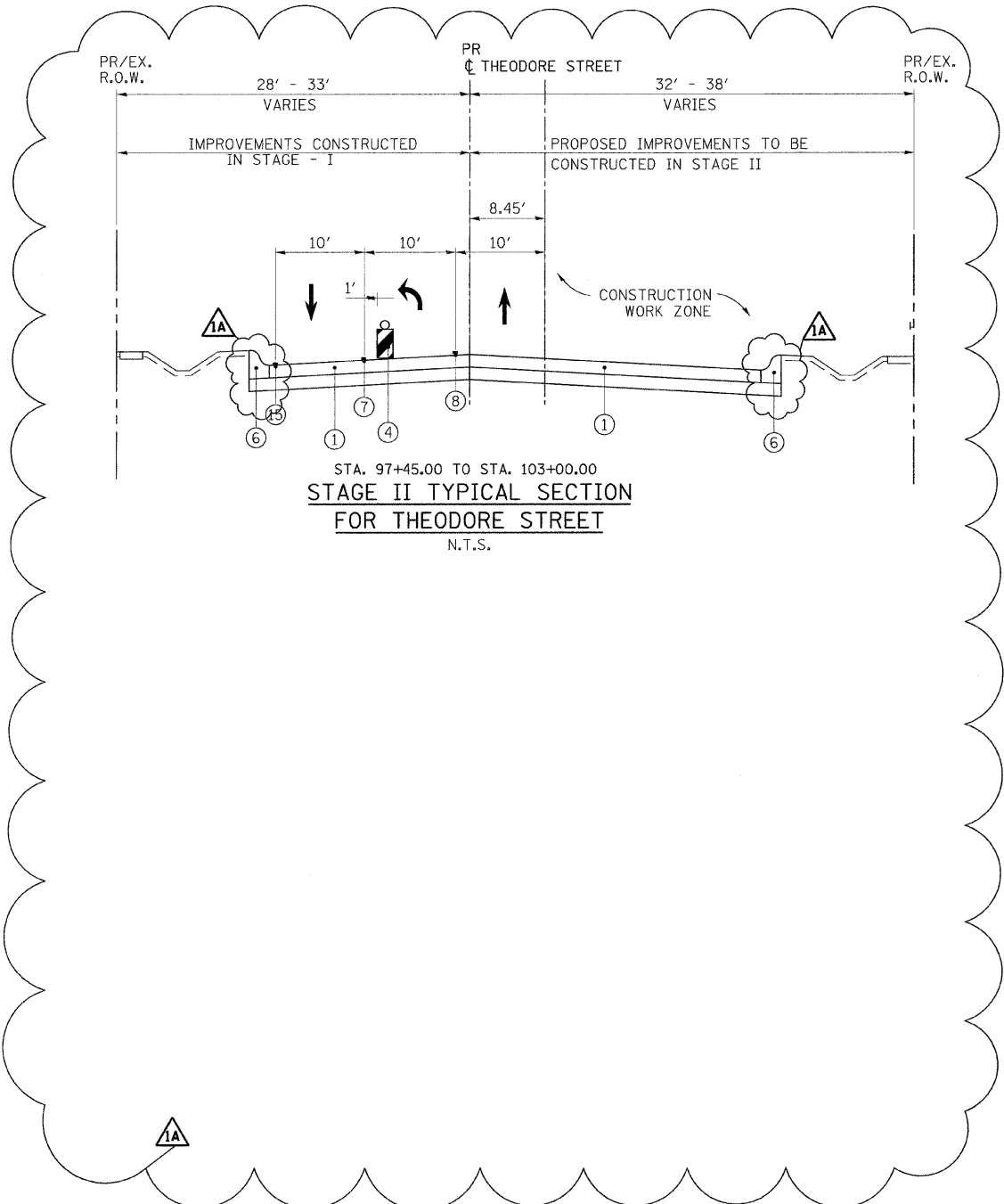
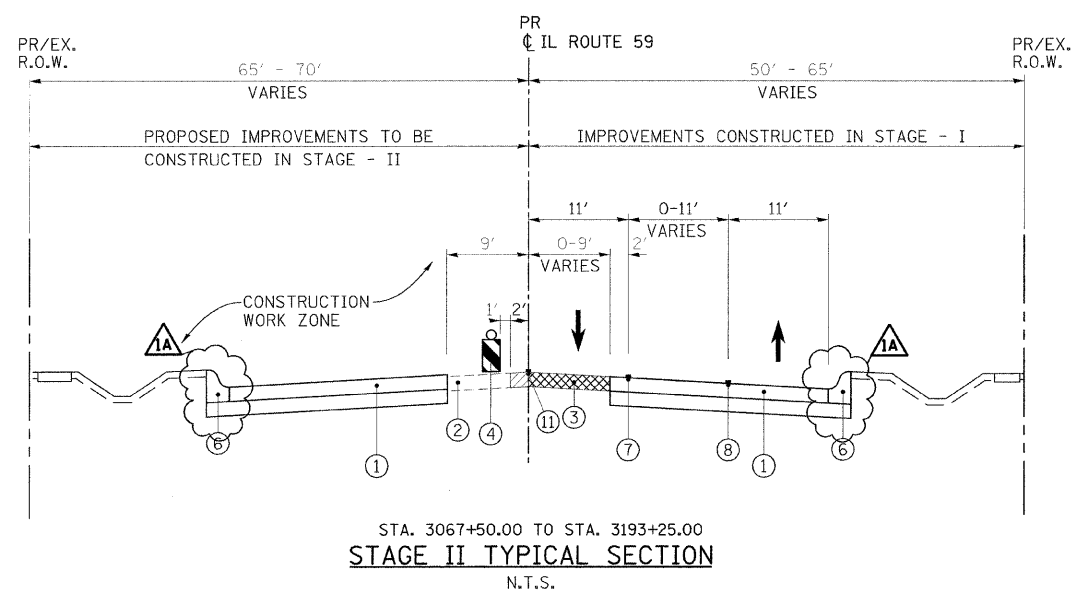
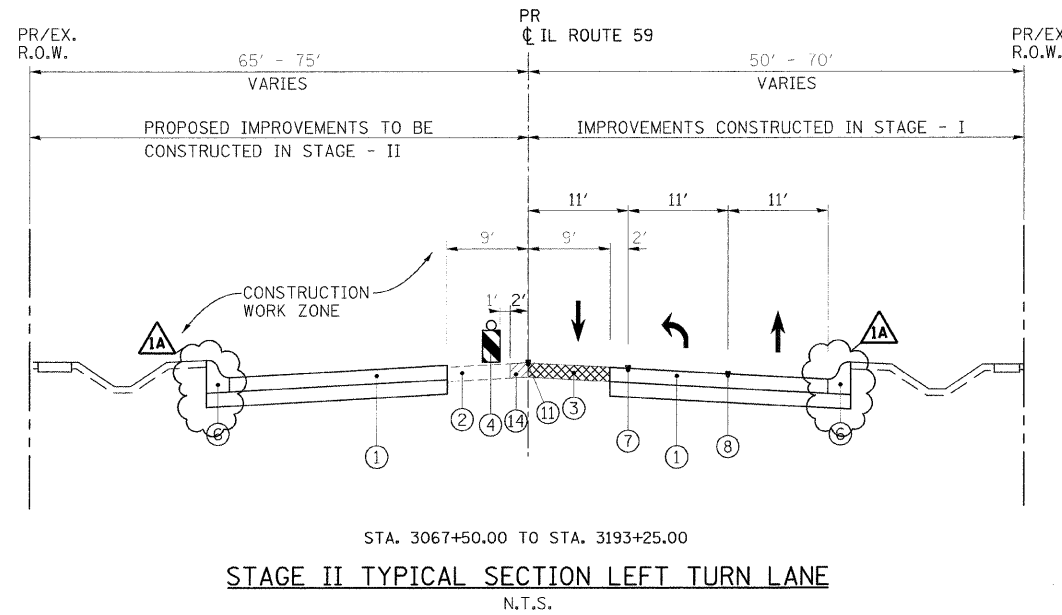
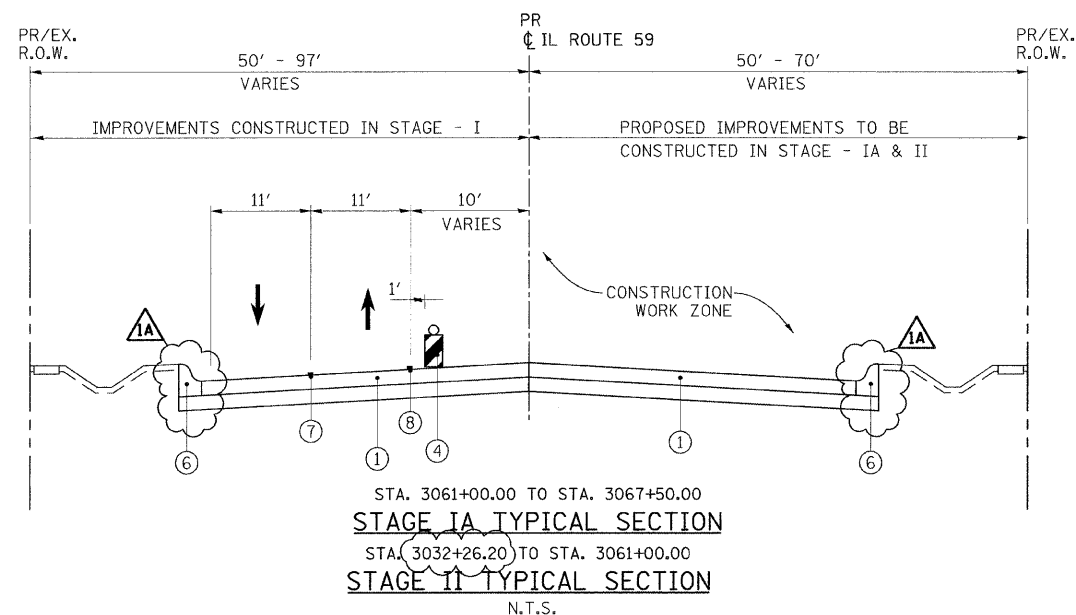
**HAMMEL CREEK GRADING PLAN**

ILLINOIS ROUTE 59  
STATION 3040+00 TO STATION 3043+36

DATE 3/18/08  
DRAWN BY BVW  
CHECKED BY RCB

15 0 15  
SCALE IN FEET

RTE	SECTION	COUNTY	TOTAL SHEETS	SHEET NO.
338	114R-1	WILL	355	80
STA.		TO STA.		
FED. ROAD DIST. NO. 7 ILLINOIS FED. AID PROJECT				



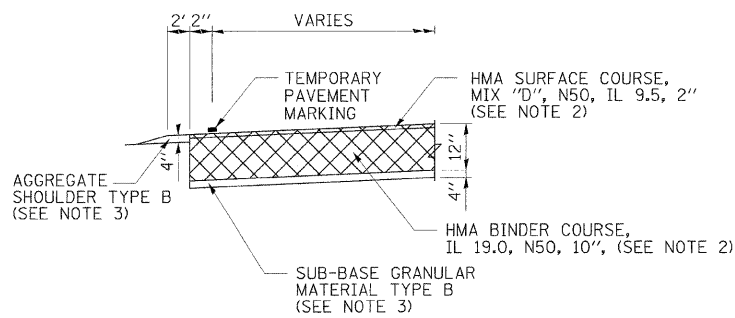
- STAGE II**
- CONSTRUCT TEMPORARY PAVEMENT, INSTALL TEMPORARY CONCRETE BARRIERS AND IMPACT ATTENUATORS, TEMPORARY (NON REDIRECTIVE) AND REITERATE PAD AS SHOWN ON THE PLANS.
  - SHIFT TRAFFIC TO STAGE II TRAFFIC PATTERN AS SHOWN ON PLANS.
  - TWO WAY TRAFFIC FLOW (1 LANE NB & 1 LANE SB) IS MAINTAINED ON THE WEST SIDE OF CONSTRUCTED IL ROUTE 59 SOUTH OF STATION 3067+50 AND EAST SIDE NORTH OF STATION 3067+50. TRAFFIC FLOW WILL SHIFT FROM WEST TO EAST OF IL ROUTE 59 AT STATION 3067+50.
- IN ADDITION, A MINIMUM OF ONE, 11' THROUGH LANE IN EACH DIRECTION SHALL BE MAINTAINED THROUGHOUT THE ENTIRE LENGTH, UNLESS NOTED OTHERWISE. IN ADDITION, AN 11' LEFT TURN LANE SHALL BE MAINTAINED AT LOCATION SHOWN ON THE PLANS. ESTABLISH TWO WAY TRAFFIC FLOW ON CONSTRUCTED THEODORE STREET USING 10' TRAVEL LANES.
- REMOVE TEMPORARY AND EXISTING PAVEMENT IN WORK ZONE.
  - REPLACE EXISTING CULVERTS AND DRAINAGE STRUCTURES ON EAST SIDE OF IL ROUTE 59.
  - REMOVE EXISTING CURB GUTTER AND PAVEMENT ON IL ROUTE 59 ON EAST SIDE SOUTH OF STATION 3067+50 AND WEST SIDE NORTH OF STATION 3067+50.
  - CONSTRUCT NEW PORTION OF IL ROUTE 59 ON EAST SIDE SOUTH OF STATION 3067+50, WEST SIDE NORTH OF STATION 3067+50, AND SOUTH SIDE OF THEODORE STREET, AS SHOWN IN PLANS.

- STAGE III**
- USE STANDARD 701602 TO MAINTAIN TWO-WAY TRAFFIC FLOW ALONG IL ROUTE 59 ON NEWLY CONSTRUCTED OUTSIDE TRAFFIC LANES. UTILIZE PERMANENT PAVEMENT MARKING WHENEVER POSSIBLE.
  - REMOVE TEMPORARY PAVEMENT AND PAVEMENT MARKINGS.
  - CONSTRUCT REMAINING PAVEMENT, COMBINATION CONCRETE CURB AND GUTTER, AND MEDIANS AS SHOWN ON THE PLANS.
  - PLACE PERMANENT PAVEMENT MARKINGS AND RAISED REFLECTIVE PAVEMENT MARKINGS.
  - INSTALL PERMANENT TRAFFIC SIGNALS.
  - COMPLETE LANDSCAPING.
  - OPEN ROADWAY TO TWO-WAY, FOUR-LANE TRAFFIC FLOW.

- LEGEND**
- ① PROPOSED PAVEMENT
  - ② EXISTING PAVEMENT
  - ③ TEMPORARY PAVEMENT (SEE PLANS)
  - ④ TYPE II BARRICADE/DRUMS (SEE PLANS FOR LOCATION & SPACING)
  - ⑤ VERTICAL PANELS WITH STEADY BURN MONO-DIRECTIONAL LIGHTS ADJACENT TO TEMPORARY PAVEMENT @ 50' C-C
  - ⑥ PROPOSED CURB & GUTTER
  - ⑦ PAVEMENT MARKING TAPE, TYPE III, 4" DOUBLE YELLOW AT 11" C-C WITH TEMPORARY RAISED REFLECTIVE PAVEMENT MARKER @ 40' C-C
  - ⑧ PAVEMENT MARKING TAPE TYPE III, 6" SOLID WHITE
  - ⑨ LANDSCAPED MEDIAN, AND/OR CONCRETE MEDIAN
  - ⑩ PERMANENT PAVEMENT MARKING OR PAVEMENT MARKING TAPE, TYPE III, 4" WHITE SKIP DASH
  - ⑪ TEMPORARY PAVEMENT MARKING 4" EDGE LINE
  - ⑫ TEMPORARY PAVEMENT MARKING 6" LINE
  - ⑬ TEMPORARY PAVEMENT MARKING 4" DOUBLE YELLOW AT 11" C-C WITH TEMPORARY RAISED REFLECTIVE PAVEMENT MARKER @ 40' C-C
  - ⑭ AGGREGATE SHOULDER, TYPE B
  - ⑮ PAVEMENT MARKING TAPE TYPE III, 4" SOLID LINE

PLAN	DATE	BY

PROFILE	DATE	BY



- TEMPORARY PAVEMENT DETAIL**
- N.T.S.
- TEMPORARY PAVEMENT

- TEMPORARY PAVEMENT DETAIL NOTES:**
- CROSS SLOPE OF TEMPORARY PAVEMENT SHALL MATCH THE CROSS SLOPE OF THE ADJACENT EXISTING OR PROPOSED PAVEMENT UNLESS OTHERWISE DIRECTED BY THE ENGINEER.
  - THE COST OF HMA SURFACE COURSE, MIX "D", N50, IL 9.5 AND HMA BINDER COURSE, IL 19.0, N50 SHALL BE PAID FOR AT THE UNIT PRICE OF "TEMPORARY PAVEMENT".
  - SUB-BASE GRANULAR MATERIAL, TYPE B AND AGGREGATE SHOULDERS, TYPE B SHALL BE PAID FOR SEPERATELY.
  - PORTLAND CEMENT CONCRETE BASE OF A THICKNESS OF 9" MAYBE USED AS A SUBSTITUTE FOR THE HMA PAVEMENT.
  - FOR TEMPORARY PAVEMENT CONSTRUCTION USE IDOT STANDARDS NO. 701326 & 701701.

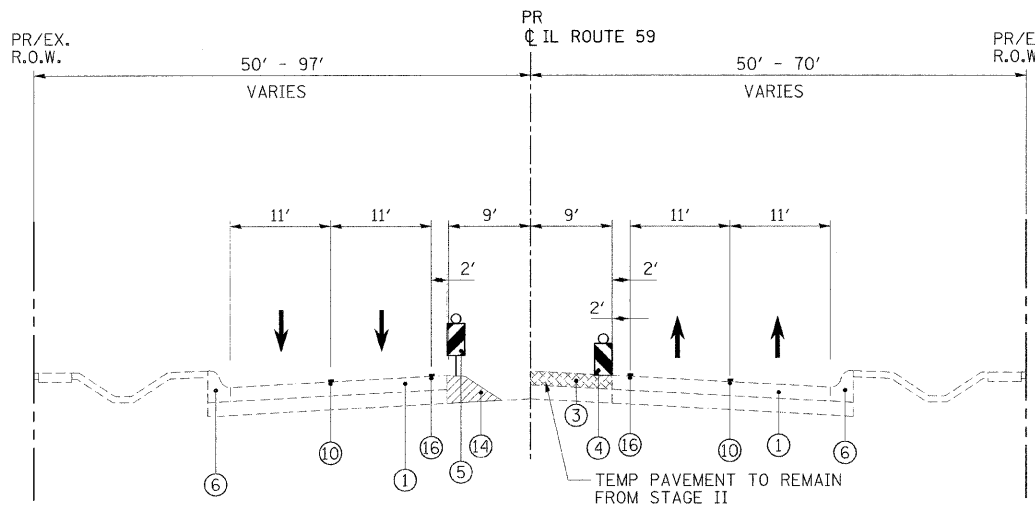
REVISIONS		
NAME	DATE	
REVISED MOT	5/23/08	

ILLINOIS DEPARTMENT OF TRANSPORTATION  
**CONSTRUCTION PROCEDURES  
 AND MAINTENANCE OF TRAFFIC  
 TYPICAL SECTIONS AND NOTES**  
 ILLINOIS ROUTE 59

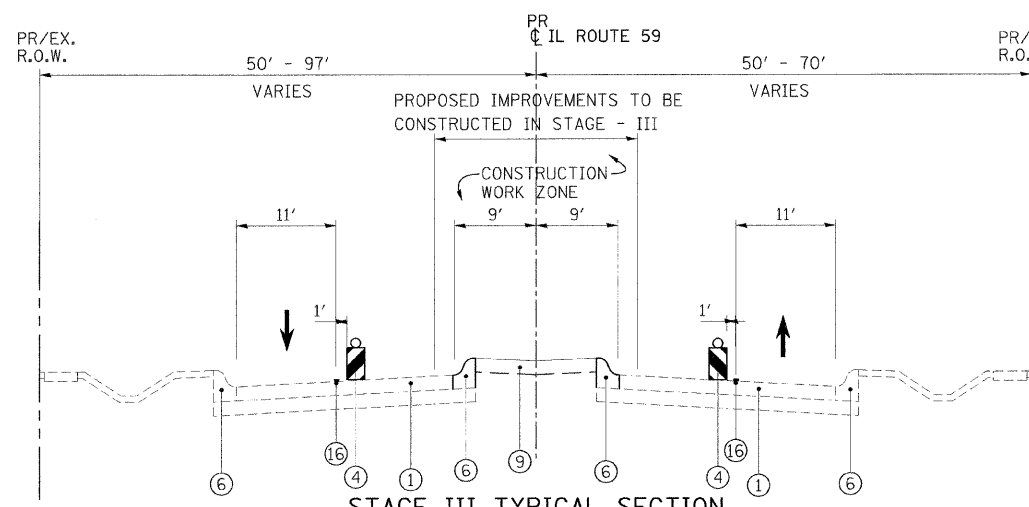
DATE 3/18/08  
 DRAWN BY: NM, RM  
 CHECKED BY: AS

NOT TO SCALE

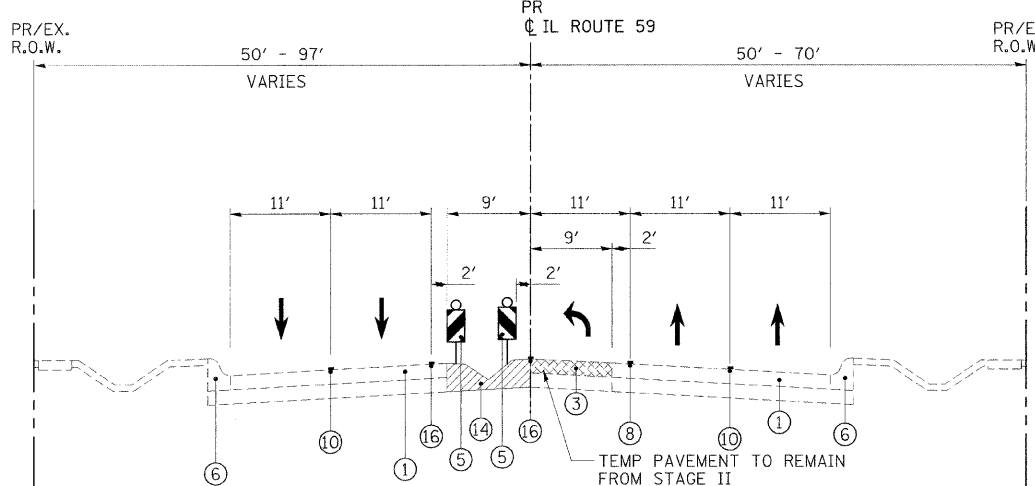
RTE	SECTION	COUNTY	TOTAL SHEETS	SHEET NO.
338	114R-1	WILL	355	80A
STA.		TO STA.		
FED. ROAD DIST. NO. 7		ILLINOIS		FED. AID PROJECT



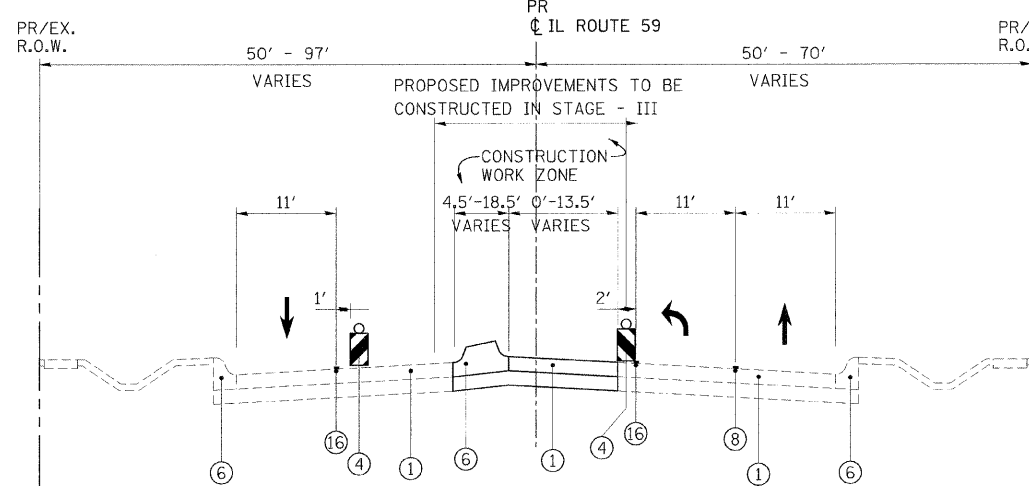
**WINTER SHUTDOWN TYPICAL SECTION**  
 N.T.S.  
 STA. 3067+50.00 TO STA. 3193+25.00  
 (EXCEPT AT NB AND SB LEFT TURN LOCATIONS)



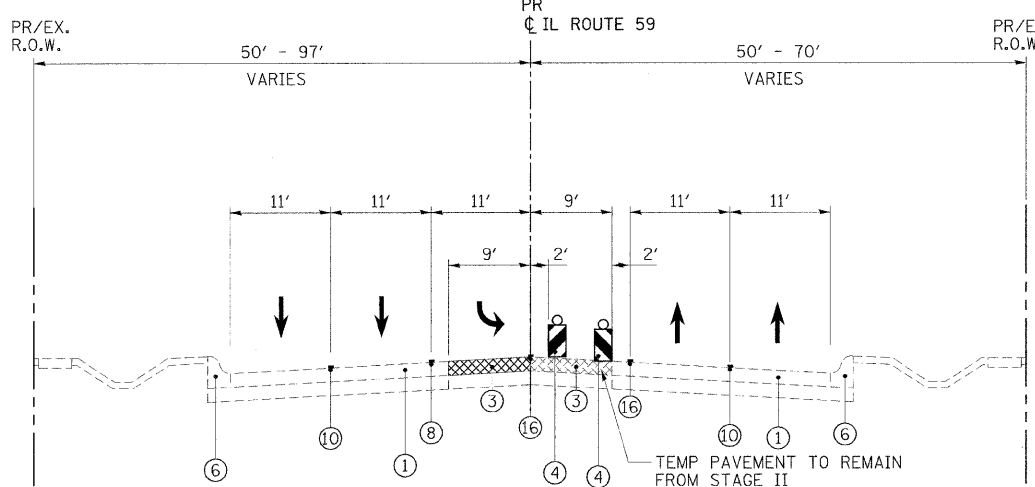
**STAGE III TYPICAL SECTION**  
 N.T.S.  
 STA. 3067+50.00 TO STA. 3193+25.00  
 (EXCEPT AT NB AND SB LEFT TURN LOCATIONS)



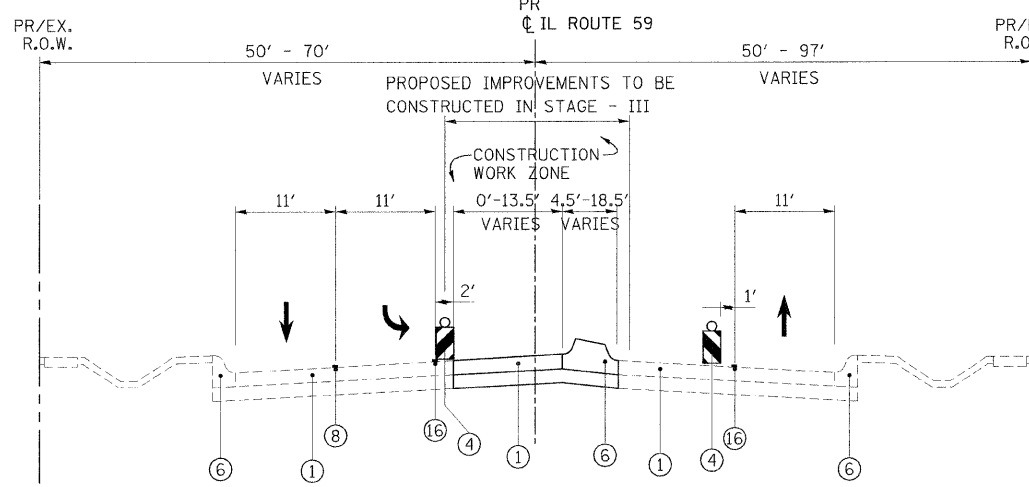
**WINTER SHUTDOWN NB LEFT TURN LANE**  
 N.T.S.  
 STA. 3071+15 TO STA. 3073+50  
 STA. 3077+80 TO STA. 3081+45  
 STA. 3085+31 TO STA. 3088+61  
 STA. 3096+32 TO STA. 3098+67  
 STA. 3118+50 TO STA. 3120+85  
 STA. 3130+21 TO STA. 3134+61  
 STA. 3143+79 TO STA. 3146+14  
 STA. 3168+70 TO STA. 3171+70  
 STA. 3182+98 TO STA. 3187+38



**STAGE III NB LEFT TURN LANE**  
 N.T.S.  
 SEE SHEET 13 FOR STATION RANGES



**WINTER SHUTDOWN SB LEFT TURN LANE**  
 N.T.S.  
 STA. 3074+90 TO STA. 3077+25  
 STA. 3082+70 TO STA. 3087+35  
 STA. 3089+72 TO STA. 3092+32  
 STA. 3135+58 TO STA. 3139+98  
 STA. 3173+00 TO STA. 3176+00  
 STA. 3188+95 TO STA. 3193+25



**STAGE III SB LEFT TURN LANE**  
 N.T.S.  
 SEE SHEET 13 FOR STATION RANGES

**WINTER SHUTDOWN**

1. TWO-WAY TRAFFIC FLOW (2 11' LANES NB & 2 11' LANES SB) IS MAINTAINED ON NEWLY CONSTRUCTED PAVEMENT.
2. UTILIZE TEMPORARY PAVEMENT CONSTRUCTED IN STAGE 2 FOR NB LEFT TURN LANES. CONSTRUCT TEMPORARY PAVEMENT IN LOCATIONS SHOWN ON PLANS FOR SB LEFT TURN LANES.
3. PLACE TEMPORARY PAVEMENT MARKINGS.
4. NO PERMANENT LANE CLOSURES WILL BE ALLOWED DURING THIS STAGE.

**STAGE III**

1. USE STANDARD 701602 TO MAINTAIN TWO-WAY TRAFFIC FLOW ALONG IL ROUTE 59 ON NEWLY CONSTRUCTED OUTSIDE TRAFFIC LANES. UTILIZE PERMANENT PAVEMENT MARKING WHENEVER POSSIBLE.
2. REMOVE TEMPORARY PAVEMENT AND PAVEMENT MARKINGS.
3. CONSTRUCT REMAINING PAVEMENT, COMBINATION CONCRETE CURB AND GUTTER, AND MEDIANS AS SHOWN ON THE PLANS.
4. PLACE PERMANENT PAVEMENT MARKINGS AND RAISED REFLECTIVE PAVEMENT MARKINGS.
5. INSTALL PERMANENT TRAFFIC SIGNALS.
6. COMPLETE LANDSCAPING.
7. OPEN ROADWAY TO TWO-WAY, FOUR-LANE TRAFFIC FLOW.

DETAILED WINTER SHUTDOWN AND STAGE III CONSTRUCTION TRAFFIC CONTROL AND PROTECTION PLANS WILL BE PROVIDED TO SUCCESSFUL BIDDER.  
 QUANTITIES HAVE BEEN PROVIDED TO PERFORM THIS WORK

**LEGEND**

- ① PROPOSED PAVEMENT
- ② EXISTING PAVEMENT
- ③ TEMPORARY PAVEMENT (SEE PLANS)
- ④ TYPE II BARRICADE/DRUMS (SEE PLANS FOR LOCATION & SPACING)
- ⑤ VERTICAL PANELS WITH STEADY BURN MONO-DIRECTIONAL LIGHTS ADJACENT TO TEMPORARY PAVEMENT @ 50' C-C
- ⑥ PROPOSED CURB & CUTTER
- ⑦ PAVEMENT MARKING TAPE, TYPE III, 4" DOUBLE YELLOW AT 11" C-C WITH TEMPORARY RAISED REFLECTIVE PAVEMENT MARKER @ 40' C-C
- ⑧ PAVEMENT MARKING TAPE TYPE III, 6" SOLID WHITE
- ⑨ LANDSCAPED MEDIAN, AND/OR CONCRETE MEDIAN
- ⑩ PERMANENT PAVEMENT MARKING OR PAVEMENT MARKING TAPE, TYPE III, 4" WHITE SKIP DASH
- ⑪ TEMPORARY PAVEMENT MARKING 4" EDGE LINE
- ⑫ TEMPORARY PAVEMENT MARKING 6" LINE
- ⑬ TEMPORARY PAVEMENT MARKING 4" DOUBLE YELLOW AT 11" C-C WITH TEMPORARY RAISED REFLECTIVE PAVEMENT MARKER @ 40' C-C
- ⑭ AGGREGATE SHOULDER, TYPE B
- ⑮ PAVEMENT MARKING TAPE TYPE III, 4" SOLID LINE
- ⑯ PAVEMENT MARKING TAPE, TYPE III, 4" SOLID YELLOW

REVISIONS		
NAME	DATE	
REVISED MOT	5/23/08	

ILLINOIS DEPARTMENT OF TRANSPORTATION  
**CONSTRUCTION PROCEDURES  
 AND MAINTENANCE OF TRAFFIC  
 TYPICAL SECTIONS AND NOTES**  
 ILLINOIS ROUTE 59

DATE: 3/18/08  
 DRAWN BY: NM, RM  
 CHECKED BY: AS



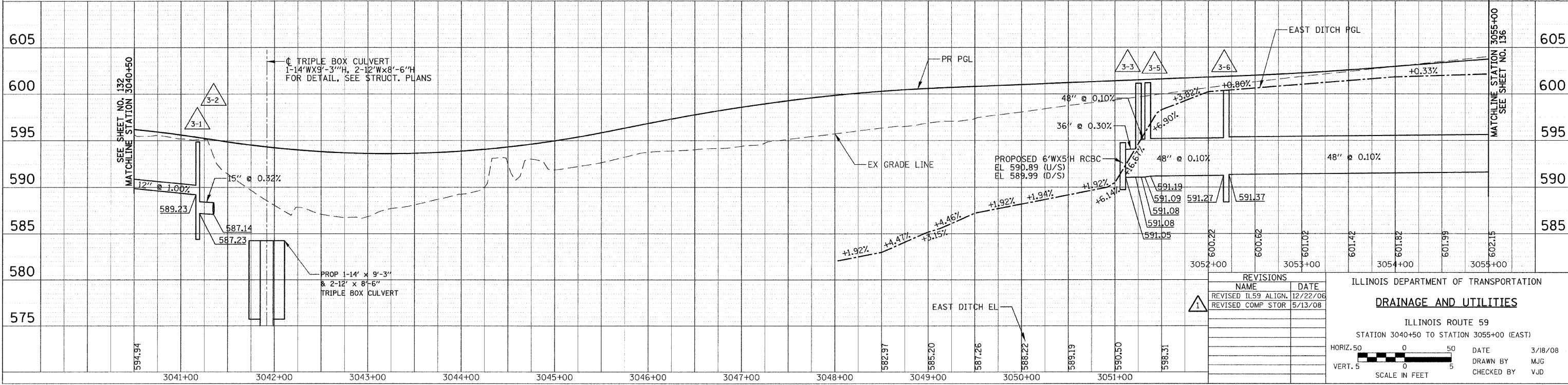
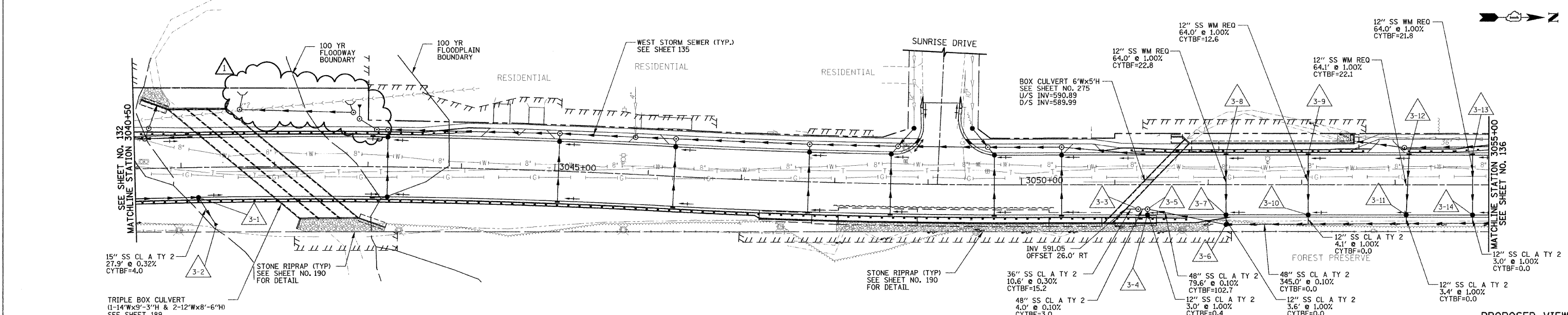
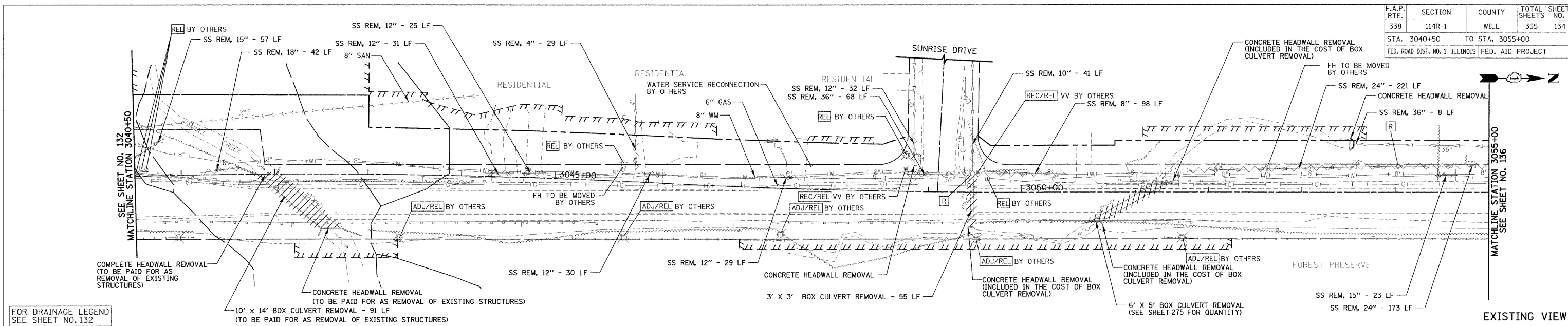
DATE: \_\_\_\_\_  
 BY: \_\_\_\_\_  
 CHECKED: \_\_\_\_\_  
 DATE: \_\_\_\_\_  
 BY: \_\_\_\_\_  
 CHECKED: \_\_\_\_\_  
 DATE: \_\_\_\_\_  
 BY: \_\_\_\_\_  
 CHECKED: \_\_\_\_\_

DATE: \_\_\_\_\_  
 BY: \_\_\_\_\_  
 CHECKED: \_\_\_\_\_  
 DATE: \_\_\_\_\_  
 BY: \_\_\_\_\_  
 CHECKED: \_\_\_\_\_  
 DATE: \_\_\_\_\_  
 BY: \_\_\_\_\_  
 CHECKED: \_\_\_\_\_

F.A.P. RTE.	SECTION	COUNTY	TOTAL SHEETS	SHEET NO.
338	114R-1	WILL	355	134
STA. 3040+50		TO STA. 3055+00		
FED. ROAD DIST. NO. 1		ILLINOIS		FED. AID PROJECT

DATE	BY
DATE	BY
DATE	BY

DATE	BY
DATE	BY
DATE	BY



REVISIONS	
NAME	DATE
REVISED IL59 ALIGN.	12/22/06
REVISED COMP STOR	5/13/08

ILLINOIS DEPARTMENT OF TRANSPORTATION

**DRAINAGE AND UTILITIES**

ILLINOIS ROUTE 59  
STATION 3040+50 TO STATION 3055+00 (EAST)

HORIZ. 50  
VERT. 5

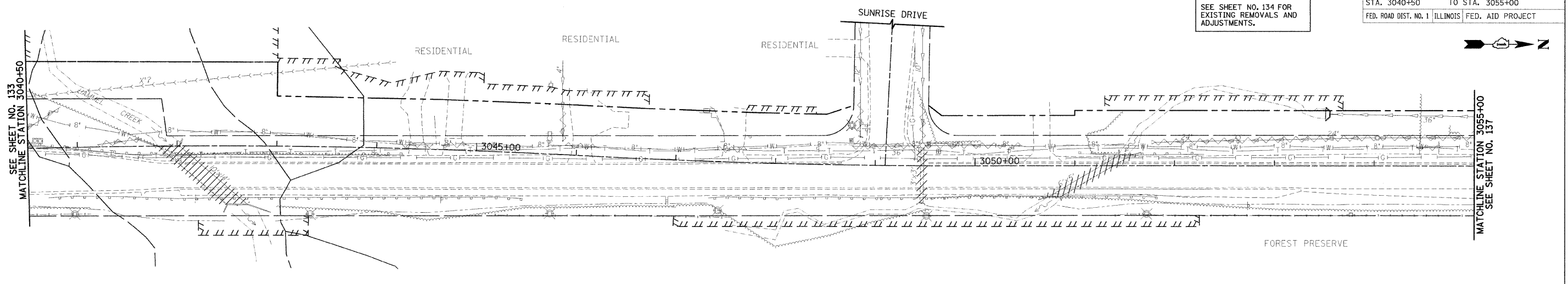
SCALE IN FEET

DATE 3/18/08  
DRAWN BY MJG  
CHECKED BY VJD

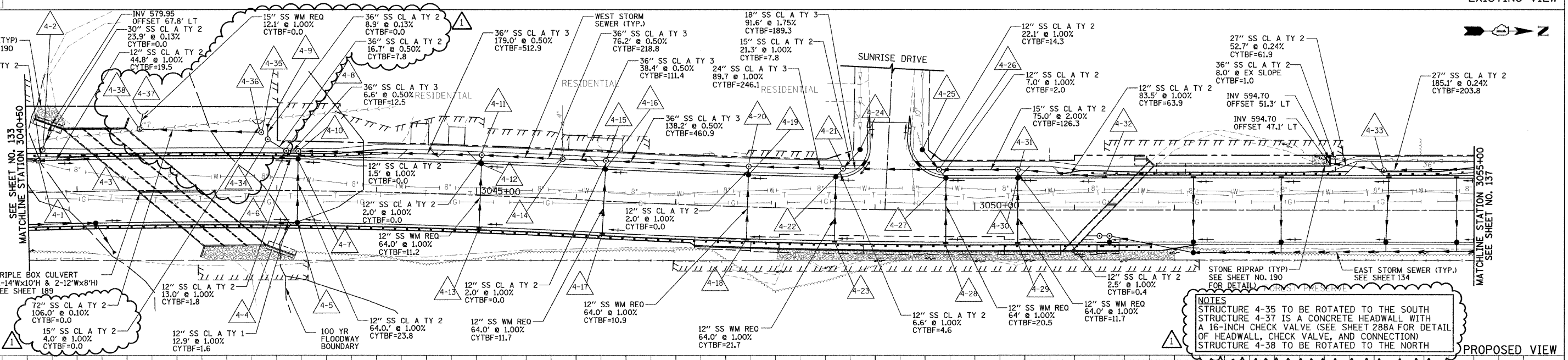


F.A.P. RTE.	SECTION	COUNTY	TOTAL SHEETS	SHEET NO.
338	114R-1	WILL	355	135
STA. 3040+50		TO STA. 3055+00		
FED. ROAD DIST. NO. 1		ILLINOIS FED. AID PROJECT		

SEE SHEET NO. 134 FOR EXISTING REMOVALS AND ADJUSTMENTS.



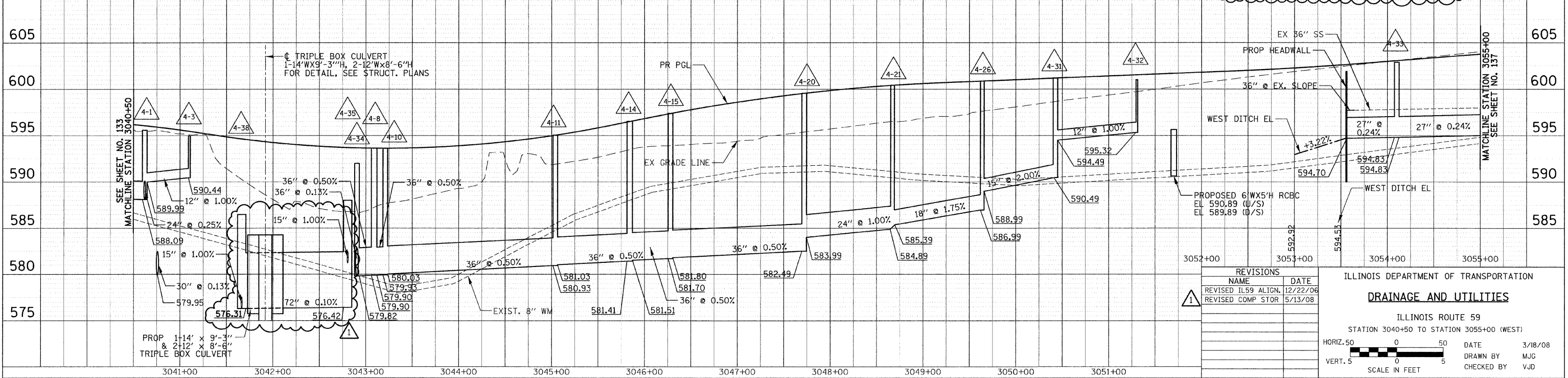
FOR DRAINAGE LEGEND SEE SHEET NO. 132



**NOTES**  
 STRUCTURE 4-35 TO BE ROTATED TO THE SOUTH  
 STRUCTURE 4-37 IS A CONCRETE HEADWALL WITH A 16-INCH CHECK VALVE (SEE SHEET 288A FOR DETAIL OF HEADWALL, CHECK VALVE, AND CONNECTION)  
 STRUCTURE 4-38 TO BE ROTATED TO THE NORTH

DATE	BY
DATE	BY
DATE	BY

DATE	BY
DATE	BY
DATE	BY



REVISIONS	
NAME	DATE
REVISED IL59 ALIGN.	12/22/06
REVISED COMP STOR	5/13/08

ILLINOIS DEPARTMENT OF TRANSPORTATION  
**DRAINAGE AND UTILITIES**  
 ILLINOIS ROUTE 59  
 STATION 3040+50 TO STATION 3055+00 (WEST)

HORIZ. 50  
 VERT. 5  
 SCALE IN FEET

DATE 3/18/08  
 DRAWN BY MJG  
 CHECKED BY VJD

DRAINAGE SHEET STA. 3040+50 TO STA. 3055+00 (SEE SHEET 135)

F.A.P. RTE.	SECTION	COUNTY	TOTAL SHEETS	SHEET NO.
338	114R-1	WILL	355	160
STA. 3040+50.00		TO STA. 3055+00.00		
FED. ROAD DIST. NO. 1		ILLINOIS FED. AID PROJECT		

STRUCTURE NO.	STATION	OFFSET	TYPE	FRAME & GRATE	RIM ELEV.	INVERT ELEVATIONS							
						NORTH	NORTHEAST	EAST	SOUTHEAST	SOUTH	SOUTHWEST	WEST	NORTHWEST
4-1	3040+62.0	32.0' LT	MH, TYPE A, 5'-DIAMETER	TYPE 24 FRAME AND GRATE	595.58	589.99	-	-	-	588.09	-	-	587.99
4-2	3040+66.3	43.1' LT	MH, TYPE A, 5'-DIAMETER	TYPE 1 FRAME, CLOSED LID	595.75	-	-	-	587.98	-	-	-	579.98
4-3	3041+10.0	32.0' LT	INLETS, TYPE A	TYPE 24 FRAME AND GRATE	594.97	-	-	-	-	590.44	-	-	-
4-4	3043+05.0	32.0' RT	INLETS, TYPE A	TYPE 24 FRAME AND GRATE	593.15	589.22	-	-	-	-	-	-	-
4-5	3043+21.0	32.0' RT	CB, TYPE A, 4'-DIAMETER	TYPE 24 FRAME AND GRATE	593.14	-	-	-	-	589.09	-	588.59	-
4-6	3043+05.0	32.0' LT	INLETS, TYPE A	TYPE 24 FRAME AND GRATE	593.15	589.08	-	-	-	-	-	-	-
4-7	3043+21.0	32.0' LT	CB, TYPE A, 4'-DIAMETER	TYPE 24 FRAME AND GRATE	593.14	-	-	587.95	-	588.95	-	585.95	-
4-8	3043+09.0	40.0' LT	MH, TYPE A, 6'-DIAMETER	2 TY 1F CL WITH RESTRICTOR PLATE	593.64	579.90	-	-	-	-	579.90	-	-
4-9	3042+90.5	62.6' LT	PRC FES 36	GRATING	-	-	-	579.81	-	-	-	-	-
4-10	3043+21.0	40.0' LT	MH, TYPE A, 5'-DIAMETER	TYPE 1 FRAME, CLOSED LID	593.63	580.03	-	585.93	-	579.93	-	-	-
4-11	3045+04.0	40.5' LT	MH, TYPE A, 5'-DIAMETER	TYPE 1 FRAME, CLOSED LID	595.05	581.03	-	587.93	-	580.93	-	-	-
4-12	3045+04.0	32.0' LT	CB, TYPE A, 4'-DIAMETER	TYPE 24 FRAME AND GRATE	594.55	-	-	589.95	-	-	-	587.95	-
4-13	3045+04.0	32.0' RT	INLETS, TYPE A	TYPE 24 FRAME AND GRATE	594.55	-	-	-	-	-	-	590.59	-
4-14	3045+84.7	40.0' LT	MH, TYPE A, 5'-DIAMETER	TYPE 1 FRAME, CLOSED LID	596.53	581.51	-	-	-	581.41	-	MATCH EX	-
4-15	3046+28.0	40.5' LT	MH, TYPE A, 5'-DIAMETER	TYPE 1 FRAME, CLOSED LID	597.39	581.80	-	590.20	-	581.70	-	-	-
4-16	3046+28.0	32.0' LT	CB, TYPE A, 4'-DIAMETER	TYPE 24 FRAME AND GRATE	596.89	-	-	592.22	-	-	-	590.22	-
4-17	3046+28.0	32.0' RT	INLETS, TYPE A	TYPE 24 FRAME AND GRATE	596.89	-	-	-	-	-	-	592.86	-
4-18	3047+72.0	32.0' RT	INLETS, TYPE A	TYPE 24 FRAME AND GRATE	599.06	-	-	-	-	-	-	595.15	-
4-19	3047+72.0	32.0' LT	CB, TYPE A, 4'-DIAMETER	TYPE 24 FRAME AND GRATE	599.06	-	-	594.51	-	-	-	592.51	-
4-20	3047+72.0	40.5' LT	MH, TYPE A, 5'-DIAMETER	TYPE 1 FRAME, CLOSED LID	599.56	583.99	-	592.49	-	582.49	-	-	-
4-21	3048+67.2	40.5' LT	MH, TYPE A, 5'-DIAMETER	TYPE 1 FRAME, CLOSED LID	600.42	585.39	-	-	592.89	584.89	-	-	592.89
4-22	3048+60.0	32.0' LT	CB, TYPE A, 4'-DIAMETER	TYPE 24 FRAME AND GRATE	599.88	-	-	594.96	-	-	-	-	592.96
4-23	3048+60.0	32.0' RT	INLETS, TYPE A	TYPE 24 FRAME AND GRATE	599.88	-	-	-	-	-	-	595.60	-
4-24	3048+84.0	60.1' LT	CB, TYPE A, 4'-DIAMETER	TYPE 8 GRATE	598.34	-	-	-	593.10	-	-	MATCH EX	-
4-25	3049+47.1	60.6' LT	CB, TYPE A, 4'-DIAMETER	TYPE 8 GRATE	597.35	-	589.71	-	-	-	-	MATCH EX	-
4-26	3049+63.9	40.5' LT	MH, TYPE A, 4'-DIAMETER	TYPE 1 FRAME, CLOSED LID	600.84	588.99	593.49	-	-	586.99	589.49	-	-
4-27	3049+71.0	32.0' LT	CB, TYPE A, 4'-DIAMETER	TYPE 24 FRAME AND GRATE	600.41	-	-	595.56	-	-	593.56	-	-
4-28	3049+71.0	32.0' RT	INLETS, TYPE A	TYPE 24 FRAME AND GRATE	600.41	-	-	-	-	-	-	596.20	-
4-29	3050+43.0	32.0' RT	INLETS, TYPE A	TYPE 24 FRAME AND GRATE	600.69	-	-	-	-	-	-	596.66	-
4-30	3050+43.0	32.0' LT	CB, TYPE A, 4'-DIAMETER	TYPE 24 FRAME AND GRATE	600.69	-	-	596.02	-	-	-	594.02	-
4-31	3050+43.0	40.5' LT	MH, TYPE A, 4'-DIAMETER	TYPE 1 FRAME, CLOSED LID	601.19	594.49	-	593.99	-	590.49	-	-	-
4-32	3051+30.0	32.0' LT	INLETS, TYPE A	TYPE 24 FRAME AND GRATE	601.04	-	-	-	-	595.32	-	-	-
4-33	3054+10.0	40.0' LT	MH, TYPE A, 5'-DIAMETER	TYPE 1 FRAME, CLOSED LID	602.86	594.83	-	-	-	594.83	-	-	-
4-34	3042+90.5	51.3' LT	MH, TYPE A, 5'-DIAMETER	TYPE 1 FRAME, CLOSED LID	590.82	-	579.82	-	-	-	-	579.82	-
4-35	3042+84.0	58.1' LT	MH, TYPE A, 9'-DIAMETER	TYPE 1 FRAME, CLOSED LID	587.44	-	-	-	-	576.42	-	581.23	-
4-36	3042+80.5	65.2' LT	CONC HDWL	-	-	-	-	581.27	-	-	-	-	-
4-37	3041+66.5	77.0' LT	CONC HDWL	-	-	-	-	576.19	-	-	-	-	-
4-37	3041+66.5	77.0' LT	TFX SRS 35-1 CHK VLV, 16"	-	-	-	-	-	-	-	-	-	-
4-38	3041+63.0	61.5' LT	MH, TYPE A, 9'-DIAMETER	TYPE 1 FRAME, CLOSED LID	585.71	576.31	-	-	-	-	-	576.31	-

PLAN SURVEYED BY DATE  
 ALIGNED BY DATE  
 CHECKED BY DATE  
 RT. OF WAY CHECKED BY DATE  
 NO. \_\_\_\_\_  
 FILE NAME \_\_\_\_\_

PROFILE SURVEYED BY DATE  
 GRADES CHECKED BY DATE  
 ELEV. NOTED BY DATE  
 STRUCTURE NOTATIONS CRP BY DATE  
 NO. \_\_\_\_\_

REVISIONS	
NAME	DATE
REVISOR IL59 ALIGN	12/22/06
REVISOR COMP STOR	5/13/08

ILLINOIS DEPARTMENT OF TRANSPORTATION  
**DRAINAGE STRUCTURES TABLE**  
 ILLINOIS ROUTE 59  
 STATION 3040+50.00 TO STATION 3055+00.00  
 DATE 3/18/08  
 DRAWN BY MJC  
 CHECKED BY VJD  
 SCALE: NONE

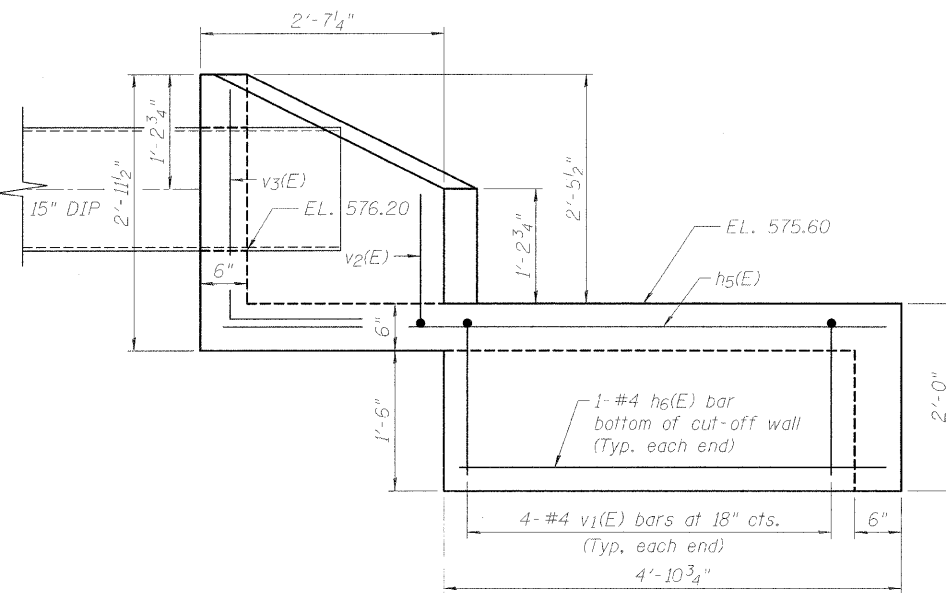
STATE OF ILLINOIS  
DEPARTMENT OF TRANSPORTATION

ROUTE NO.	SECTION	COUNTY	DIST. SHEETS	SHEET NO.	SHEET NO. 55-1
F.A.P. 338	114R-1	WILL	355	288A	#TOTSHEETS
FED. ROAD DIST. NO. 7		ILLINOIS	FED. AID PROJECT-		

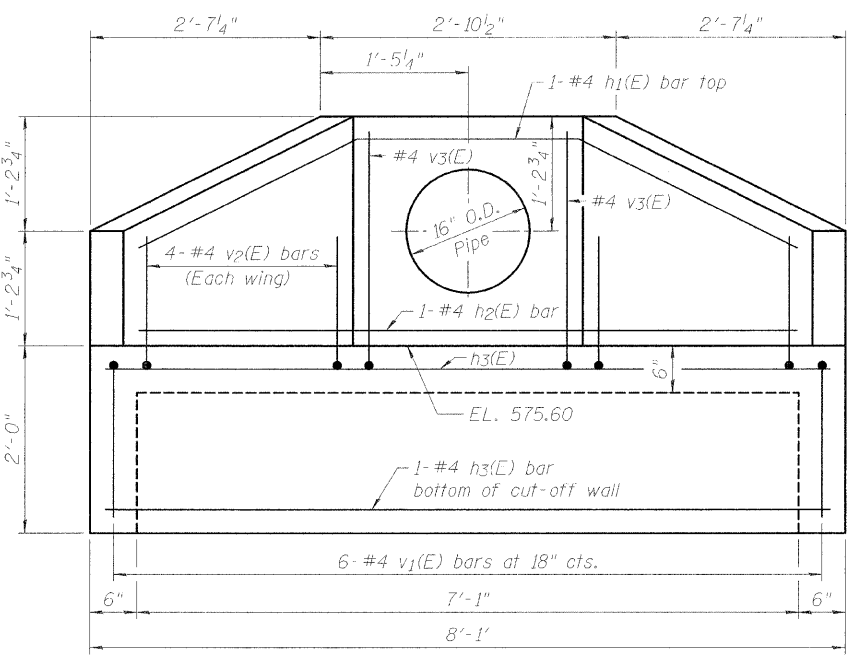
Contract # 62416

**BILL OF MATERIAL**

Bar	No.	Size	Length	Shape
h1(E)	1	#4	10'-2"	
h2(E)	1	#4	9'-6"	
h3(E)	5	#4	7'-9"	
h4(E)	1	#4	4'-10"	
h5(E)	3	#4	11'-11"	
h6(F)	2	#4	4'-6"	
v1(E)	14	#4	3'-0"	
v2(E)	8	#4	2'-10"	
v3(E)	2	#4	4'-0"	
Concrete Headwalls			Cu. Yd.	1.9
Reinforcement Bars, Epoxy Coated			Pound	120
Check Valve, 16"			Each	1



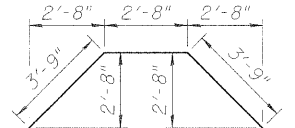
**SIDE VIEW**



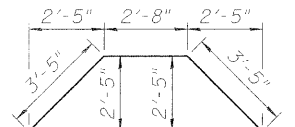
**END VIEW**

**BARS v1(E) THRU v3(E)**

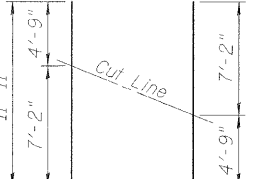
Bar	A	B
v1(E)	1'-6"	1'-6"
v2(E)	1'-6"	1'-4"
v3(E)	1'-6"	2'-6"



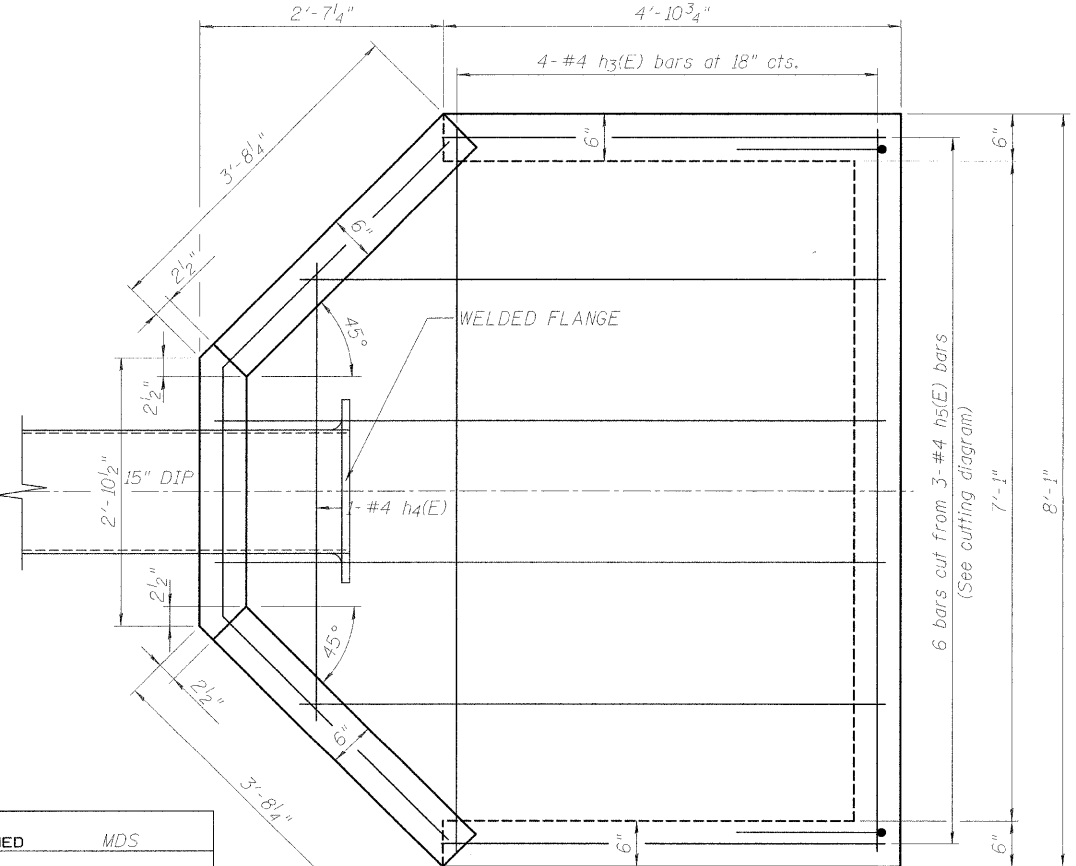
**BAR h1(E)**



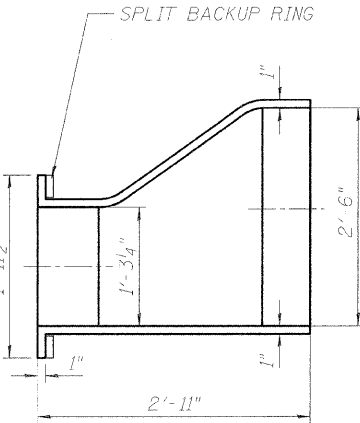
**BAR h2(E)**



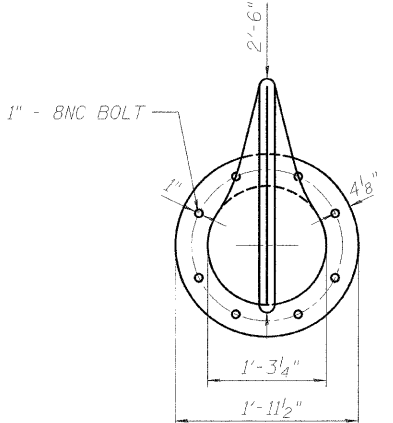
**BAR h5(E)**



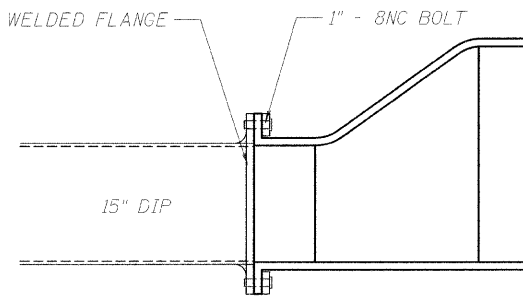
**PLAN**



**SIDE VIEW  
CHECK VALVE**



**END VIEW  
CHECK VALVE**



**SIDE VIEW  
CHECK VALVE  
CONNECTION**

DESIGNED	MDS
CHECKED	RLP
DRAWN	MDS
CHECKED	RLP
REVISED	5/13/08

**HEADWALL DETAILS  
STRUCTURE 4-37**  
CONCRETE HEADWALL WITH CHECK VALVE  
F.A.P. ROUTE 338 SECTION 114R-1  
WILL COUNTY

ORIGINAL SURVEY	BY	DATE
SURVEY		
FLOTTED		
TEMPERATURE		
NOTE BOOK		
AREAS CHECKED		
NO.		

FINAL SURVEY	BY	DATE
PLOTTED		
TEMPERATURE		
NOTE BOOK		
AREAS CHECKED		
NO.		

F.A.P. RTE.	SECTION	COUNTY	TOTAL SHEETS	SHEET NO.
338	114R-1	WILL	355	312
STA.	TO STA.			
FED. ROAD DIST. NO.	ILLINOIS FED. AID PROJECT			

