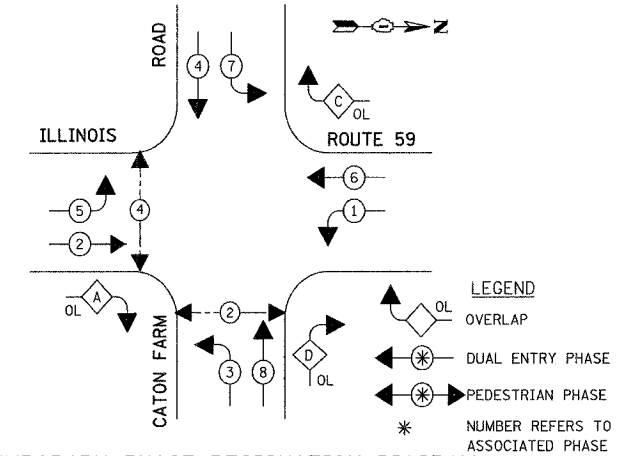


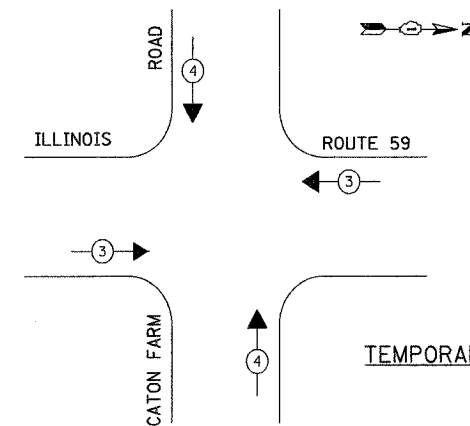
THE TRAFFIC SIGNAL CONTROL EQUIPMENT FOR THIS TEMPORARY SIGNAL SHALL BE "ECONOLITE" TO MATCH THE EXISTING ADJACENT SYSTEM.

**TEMPORARY CONTROLLER SEQUENCE**



**TEMPORARY PHASE DESIGNATION DIAGRAM**

NOTE: OVERLAPS "A", "C" AND "D" SHALL BE INACTIVE UNTIL NB AND SB RIGHT TURN LANES ARE OPENED TO TRAFFIC.



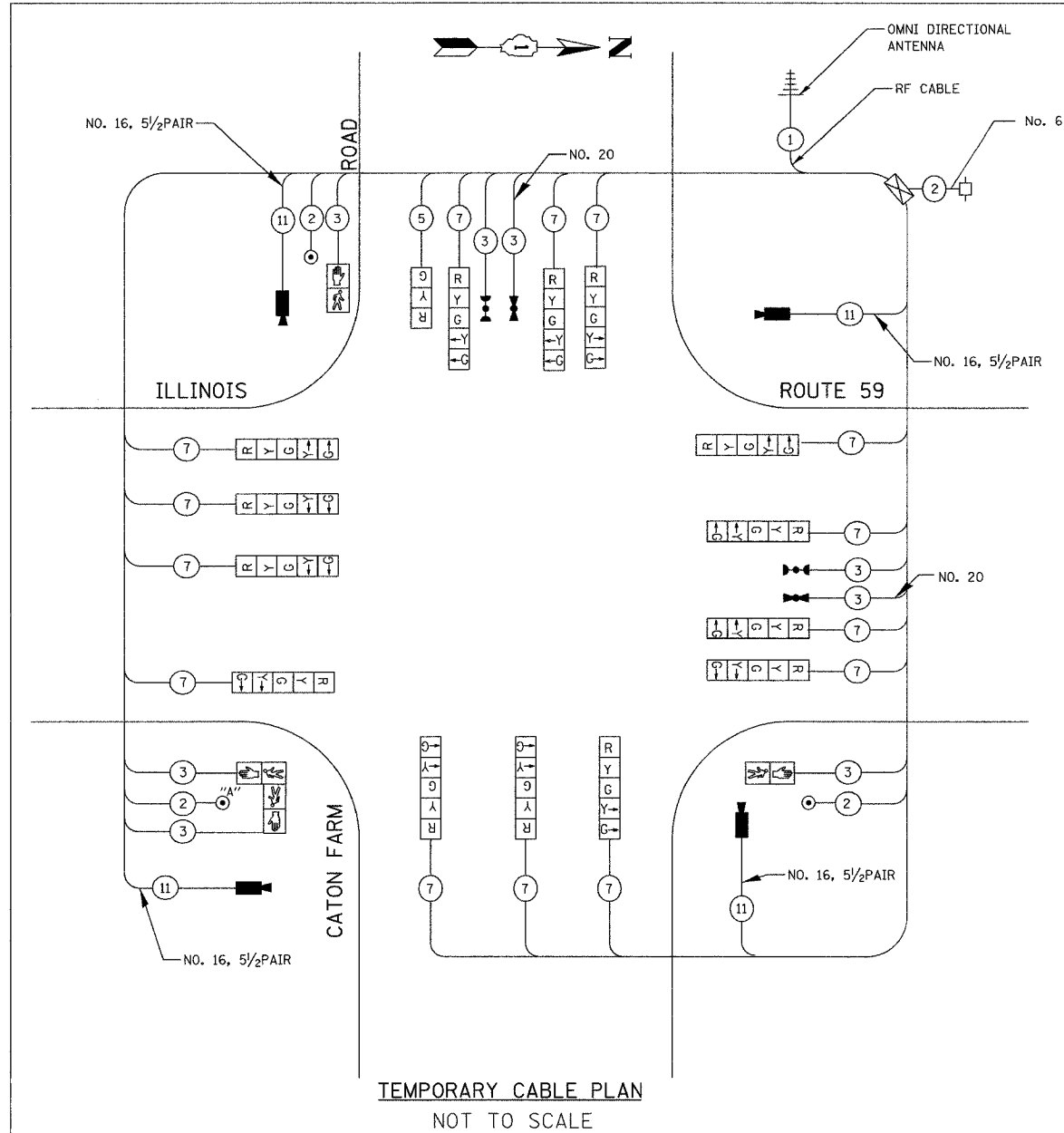
PROPOSED EMERGENCY VEHICLE PREEMPTION		
EMERGENCY VEHICLE PREEMPTOR	3	4
MOVEMENT	←→	↑↓

**TEMPORARY EMERGENCY VEHICLE PREEMPTION SEQUENCE**

OVERLAP LETTER	PERMISSIVE PHASE	PROTECTED PHASE
A	=	3
C	=	7
D	=	1

REVISIONS	
NAME	DATE
REVISED IL 59 ALIGN.	12/22/06

ILLINOIS DEPARTMENT OF TRANSPORTATION  
**TEMPORARY TRAFFIC SIGNAL CABLE PLAN AND PHASE DESIGNATION DIAGRAM**  
 ILLINOIS ROUTE 59 AT CATON FARM ROAD  
 SCALE: NONE  
 DATE: 3/18/08  
 DRAWN BY: BAR  
 DESIGNED BY: FA  
 CHECKED BY: KMM



- NOTE:**
1. AN APPROVED IDOT SUBCONTRACTOR MUST INSTALL AND ADJUST VIDEO VEHICLE DETECTION SYSTEM AS REQUIRED BY STAGE/ PHASE CHANGES. ADJUSTMENT WILL BE REQUIRED BETWEEN PRIMARY AND SECONDARY.
  2. RIGHT-TURN OVERLAP ARROW SECTIONS SHALL BE BAGGED UNTIL RIGHT TURN LANES ARE OPEN TO TRAFFIC.

**TEMPORARY CABLE DIAGRAM LEGEND**

- [R] TEMPORARY TRAFFIC SIGNAL SECTION OR PEDESTRIAN SIGNAL SECTION, 12" (300mm)
- [CABINET] TEMPORARY CONTROLLER CABINET
- [SERVICE] TEMPORARY SERVICE INSTALLATION
- (5) INDICATES NUMBER OF CONDUCTORS IN CABLE. ALL CONDUCTORS TO BE NUMBER 14 AWG WIRE UNLESS OTHERWISE NOTED.
- [EVD] EMERGENCY VEHICLE LIGHT DETECTOR
- [CB] CONFIRMATION BEACON
- [VDC] VIDEO DETECTION CAMERA
- [C] COAXIAL CABLE
- [ANTENNA] TEMPORARY RADIO INTERCONNECT ANTENNA

NOTE: PUSH BUTTON "A" SHALL PLACE A CALL IN PHASES 2 AND 4

TYPE	NO. LAMPS	WATTAGE	INCAND.	LED	% OPERATION	TOTAL WATTAGE
SIGNAL (RED)	15	135	17	0.50		127.5
(YELLOW)	15	135	25	0.25		93.8
(GREEN)	15	135	15	0.25		56.3
ARROW	28	135	12	0.10		33.6
PED. SIGNAL	4	90	25	1.00		100
CONTROLLER	1	100	100	1.00		100
ILLUM. SIGN		84	64	0.05		
FLASHER				0.50		
TOTAL =						511.2

ILLINOIS DEPARTMENT OF TRANSPORTATION  
 DIVISION OF HIGHWAY/DISTRICT 1  
 201 WEST CENTER COURT/SCHAUMBURG, ILLINOIS 60196-1096  
 ENERGY SUPPLY CONTACT: JUDY MILLER  
 PHONE: 815-724-5717  
 COMPANY: COMMONWEALTH EDISON

DATE	BY	REVISION

DATE	BY	REVISION