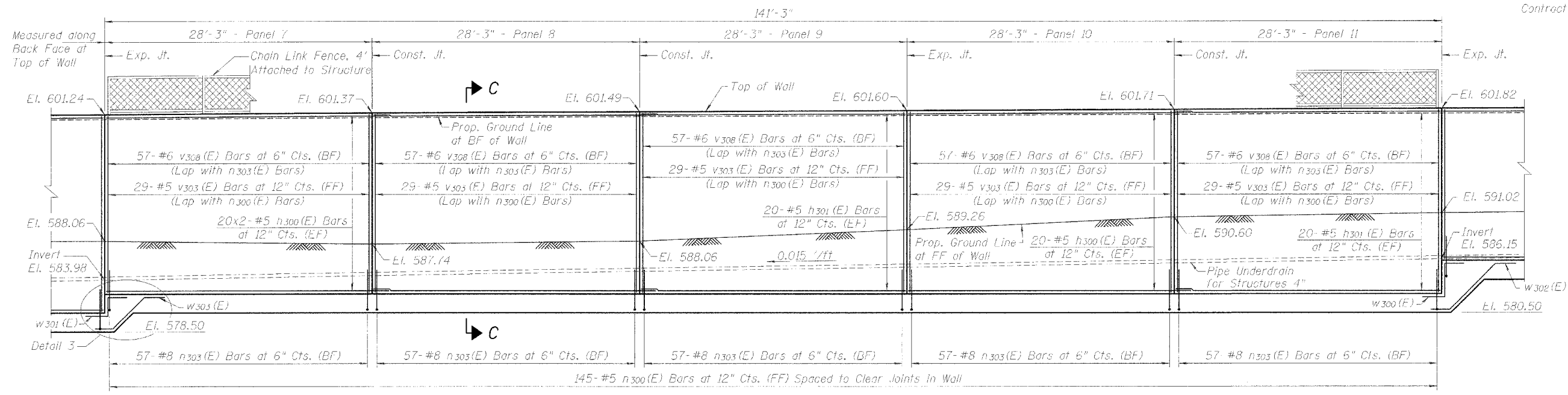


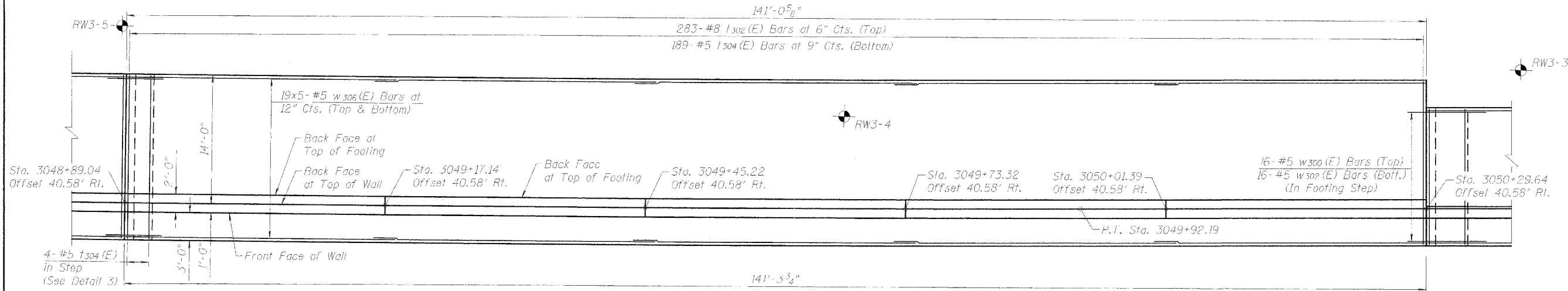
STATE OF ILLINOIS
DEPARTMENT OF TRANSPORTATION

ROUTE NO.	SECTION	COUNTY	TOTAL SHEETS	SHEET NO.
F.A.P. 338	114R-1	WILL	355	269
FIG. PROJ. DIST. NO. 7	S. 114R-1	FED. AID PROJECT		

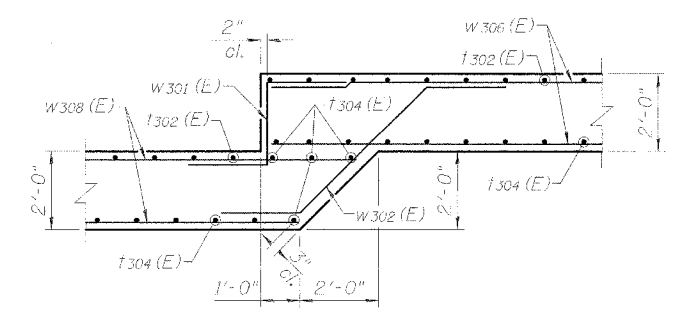
Contract # 62416



ELEVATION
(Looking West)



PLAN



DETAIL 3

DESIGNED	SLC
CHECKED	MDS
DRAWN	MDS
CHECKED	SLC

LEGEND

Soil Boring Location

- Notes:
- For Section C-C, see Sheet S2-5.
 - Bars indicated thus 19x5- #5 etc. indicates 19 lines of bars with 5 lengths per line.

PLAN AND ELEVATION II
RETAINING WALL ALONG IL ROUTE 59
F.A.P. ROUTE 338 SECTION 114R-1
WILL COUNTY
STATION 3047+20.51 TO STATION 3051+44.64
STRUCTURE NO. 099-W016

8/15/08 8:04:15 AM - G:\V02\0202\STRUCTURE\DWG\STRUCTURE\WALL\WALL.DWG