

F.A.I.	SECTION	COUNTY	TOTAL SHEETS	SHEET NO.
94/90		COOK	30	3
STA.		TO STA.		
FED. ROAD DIST. NO.	ILLINOIS	FED. AID PROJECT		

62989

SUMMARY OF QUANTITIES

URBAN

CODE NO.	ITEM	UNIT	QUANTITY	100% STATE JOOO
20200100	EARTH EXCAVATION	CU YD	207	207
21101615	TOPSOIL FURNISH AND PLACE, 4"	SQ YD	42	42
21101645	TOPSOIL FURNISH AND PLACE, 12"	SQ YD	174	174
25000210	SEEDING, CLASS 2A	ACRE	0.02	0.02
25000400	NITROGEN FERTILIZER NUTRIENT	POUND	10	10
25000500	PHOSPHORUS FERTILIZER NUTRIENT	POUND	10	10
25000600	POTASSIUM FERTILIZER NUTRIENT	POUND	10	10
25001800	SEEDING, CLASS 4 (MODIFIED)	ACRE	0.09	0.09
25100630	EROSION CONTROL BLANKET	SQ YD	542	542
44004250	PAVED SHOULDER REMOVAL	SQ YD	247	247
50300225	CONCRETE STRUCTURES	CU YD	7.8	7.8
50300255	CONCRETE SUPERSTRUCTURE	CU YD	6.9	6.9
50300300	PROTECTIVE COAT	SQ YD	33	33
50300510	RUSTICATION FINISH	SQ FT	70	70
50800205	REINFORCEMENT BARS, EPOXY COATED	POUND	1,430	1,430
63200310	GUARDRAIL REMOVAL	FOOT	76	76
66400550	CHAIN LINK FENCE, 4' (SPECIAL)	FOOT	1,010	1,010
67100100	MOBILIZATION	L SUM	1	1
70101800	TRAFFIC CONTROL AND PROTECTION, (SPECIAL)	L SUM	1	1
70106800	CHANGEABLE MESSAGE SIGN	CAL MO	6	6
X0322256	TEMPORARY INFORMATION SIGNING	SQ FT	26	26
X0323973	SEDIMENT CONTROL, SILT FENCE	FOOT	1,010	1,010
X0323974	SEDIMENT CONTROL, SILT FENCE MAINTENANCE	FOOT	253	253
X0324640	FLUTED KNEE WALL	FOOT	925	925
X2500322	SEEDING, CLASS 5A, (MODIFIED)	ACRE	0.09	0.09
Z0013798	CONSTRUCTION LAYOUT	L SUM	1	1

INDEX OF SHEETS

SHEET	DESCRIPTION
1	COVER SHEET
2	GENERAL NOTES AND PROJECT COMMITMENTS
3	SUMMARY OF QUANTITIES / INDEX / HIGHWAY STANDARDS
4	EXISTING AND PROPOSED TYPICAL SECTIONS
5-9	ALIGNMENT PLANS, SURVEY TIES AND CONTROL POINTS
10-13	EXISTING AND PROPOSED KNEE WALL PLANS
14-16	STRUCTURAL DETAILS
17	BD-51 DISTRICT 1, BENCHING DETAIL FOR EMBANKMENT WIDENING
18	TC-10 DISTRICT 1, TRAFFIC CONTROL AND PROTECTION FOR SIDE ROADS, INTERSECTIONS & DRIVEWAYS
19	TC-17 DISTRICT 1, TRAFFIC CONTROL DETAILS FOR FREEWAY SHOULDER CLOSURES PARTIAL RAMP CLOSURES
20	TC-18 DISTRICT 1, SIGNING FOR FLAGGING OPERATIONS AT WORK ZONE OPENINGS
21	TC-22 DISTRICT 1, ARTERIAL ROAD INFORMATION SIGN
22-30	CROSS SECTIONS

IDOT HIGHWAY STANDARDS

SHEET	DESCRIPTION
000001-05	STANDARD SYMBOLS, ABBREVIATIONS, AND PATTERNS
001001-01	AREAS OF REINFORCEMENT BARS
001006	DECIMAL OF AN INCH AND OF A FOOT
664001-01	CHAIN LINK FENCE
701601-05	URBAN LANE CLOSURE, MULTILANE, 1W OR 2W WITH NONTRAVERSABLE MEDIAN
701701-05	URBAN LANE CLOSURE, MULTILANE INTERSECTION
701801-03	LANE CLOSURE, MULTILANE, 1W OR 2W, CROSSWALK OR SIDEWALK CLOSURE, for speeds < 45 mph
701901	TRAFFIC CONTROL DEVICES
720001	SIGN PANEL MOUNTING DETAILS
720006-01	SIGN PANEL ERECTION DETAILS
728001	TELESCOPING STEEL SIGN SUPPORT
731001	BASE FOR TELESCOPING STEEL SIGN SUPPORT

BOWMAN, BARRETT & ASSOCIATES INC.
CONSULTING ENGINEERS
Chicago, Illinois
312.228.0100
www.bbainc.com



Rev. 7-21-08

REVISIONS		ILLINOIS DEPARTMENT OF TRANSPORTATION F.A.I. 94/90 (DAN RYAN EXPRESSWAY) NORTHBOUND KNEE WALLS (45TH ST TO 43RD ST)
NAME	DATE	
		SUMMARY OF QUANTITIES

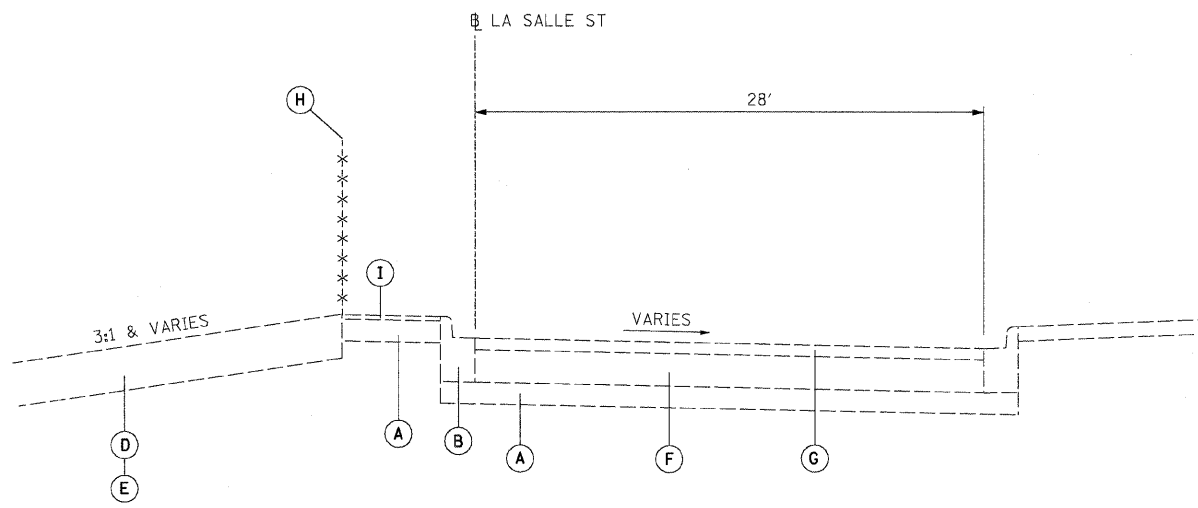
SCALE: NONE
DATE: 04/25/08

DRAWN BY: JDC
CHECKED BY:

S00-1

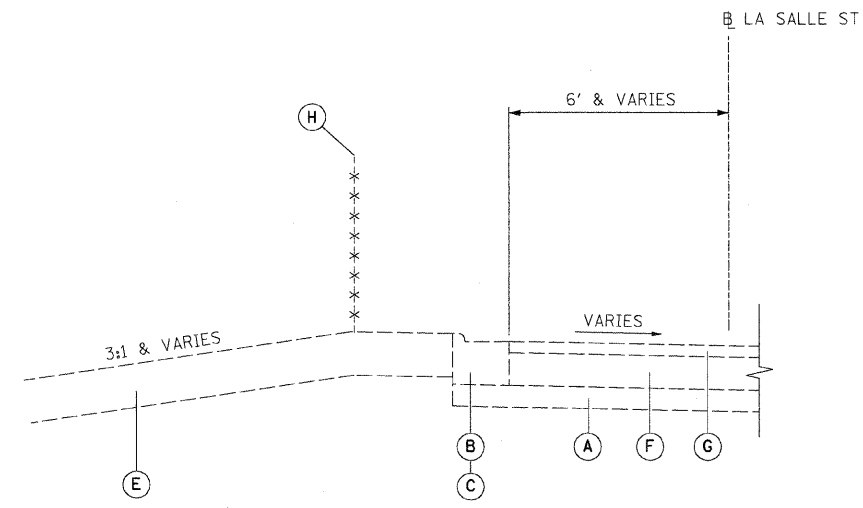
IN 660-0240 QANTJIB SHEETS 660-318C-0040P 5/1/06 4/24/2008

F.A.I.	SECTION	COUNTY	TOTAL SHEETS	SHEET NO.
94/90		COOK	30	4
STA.	TO STA.			
FED. ROAD DIST. NO.	ILLINOIS	FED. AID PROJECT		
62989				



EXISTING TYPICAL SECTION

STA. 225+30 to 232+69

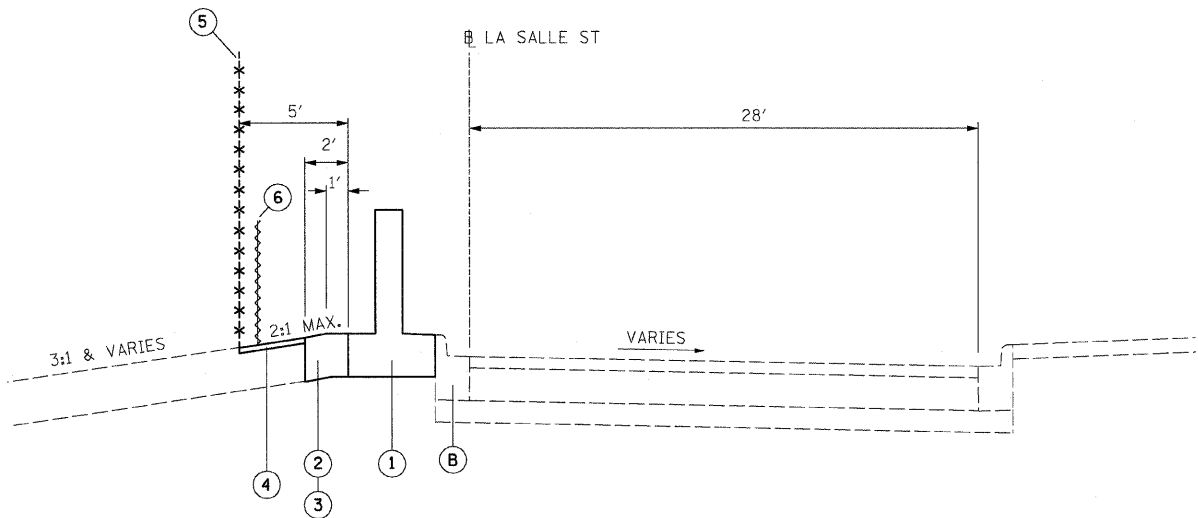


EXISTING TYPICAL SECTION

STA. 235+99.46 to 237+84.34

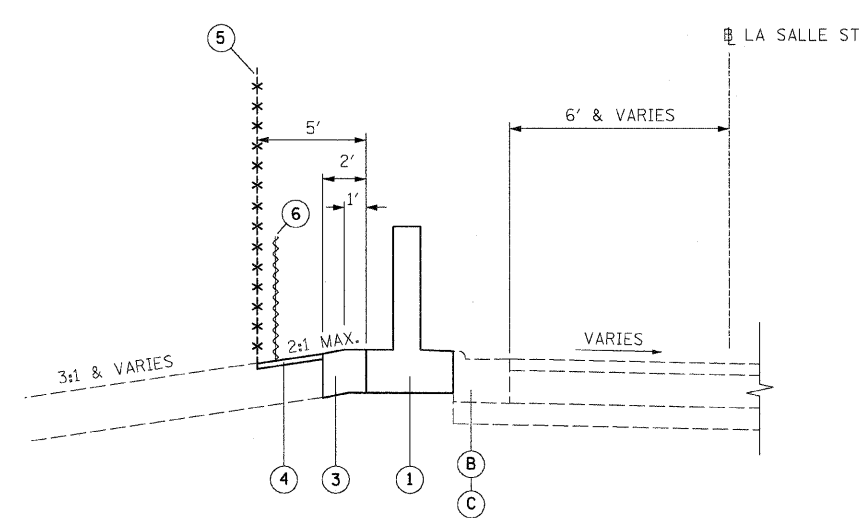
EXISTING LEGEND

- (A) GRANULAR MATERIAL, 6"
- (B) COMBINATION CONCRETE CURB AND GUTTER, TYPE B-6.12
- (C) COMBINATION CONCRETE CURB AND GUTTER, TYPE M-4.24
- (D) TOPSOIL, 4"
- (E) TOPSOIL, 12"
- (F) PORTLAND CEMENT CONCRETE PAVEMENT, 9"
- (G) BITUMINOUS CONCRETE, 3"
- (H) CHAIN LINK FENCE, 4'
- (I) BITUMINOUS MEDIAN SURFACE, 1/2"



PROPOSED TYPICAL SECTION

STA. 225+30 to 232+69



PROPOSED TYPICAL SECTION

STA. 235+99.46 to 237+86.39

PROPOSED LEGEND

- (1) FLUTED KNEE WALL
- (2) SEEDING, CLASS 2A / TOPSOIL FURNISH AND PLACE, 4" / EROSION CONTROL BLANKET
- (3) SEEDING, CLASS 4 (MODIFIED) / SEEDING, CLASS 5A (MODIFIED) / TOPSOIL FURNISH AND PLACE, 12" / EROSION CONTROL BLANKET
- (4) SEEDING, CLASS 2A / SEEDING, CLASS 4 (MODIFIED) / SEEDING CLASS 5A (MODIFIED) / EROSION CONTROL BLANKET
- (5) CHAIN LINK FENCE, 4' (SPECIAL)
- (6) SEDIMENT CONTROL, SILT FENCE (TO BE REMOVED AT PROJECT COMPLETION)

TYP-1

NOTES:

1. THICKNESS OF EXISTING PAVEMENT AND GRANULAR MATERIAL ARE TAKEN FROM RECORD DRAWING PLANS.
2. TYPICAL SECTIONS NEED TO BE VERIFIED WITH THE PLANS AS THEY ARE A REPRESENTATION OF THE PLANS. THEY DO NOT SHOW ALL CONFIGURATIONS, JUST THE MOST PREDOMINANT.

BOWMAN, BARRETT & ASSOCIATES INC.
CONSULTING ENGINEERS
Chicago, Illinois
312.228.0100
www.bbainc.com

REVISIONS	
NAME	DATE
REVISOR	7-16-08

ILLINOIS DEPARTMENT OF TRANSPORTATION
F.A.I. 94/90 (DAN RYAN EXPRESSWAY)
NORTHBOUND KNEE WALLS (45TH ST TO 43RD ST)

TYPICAL SECTIONS

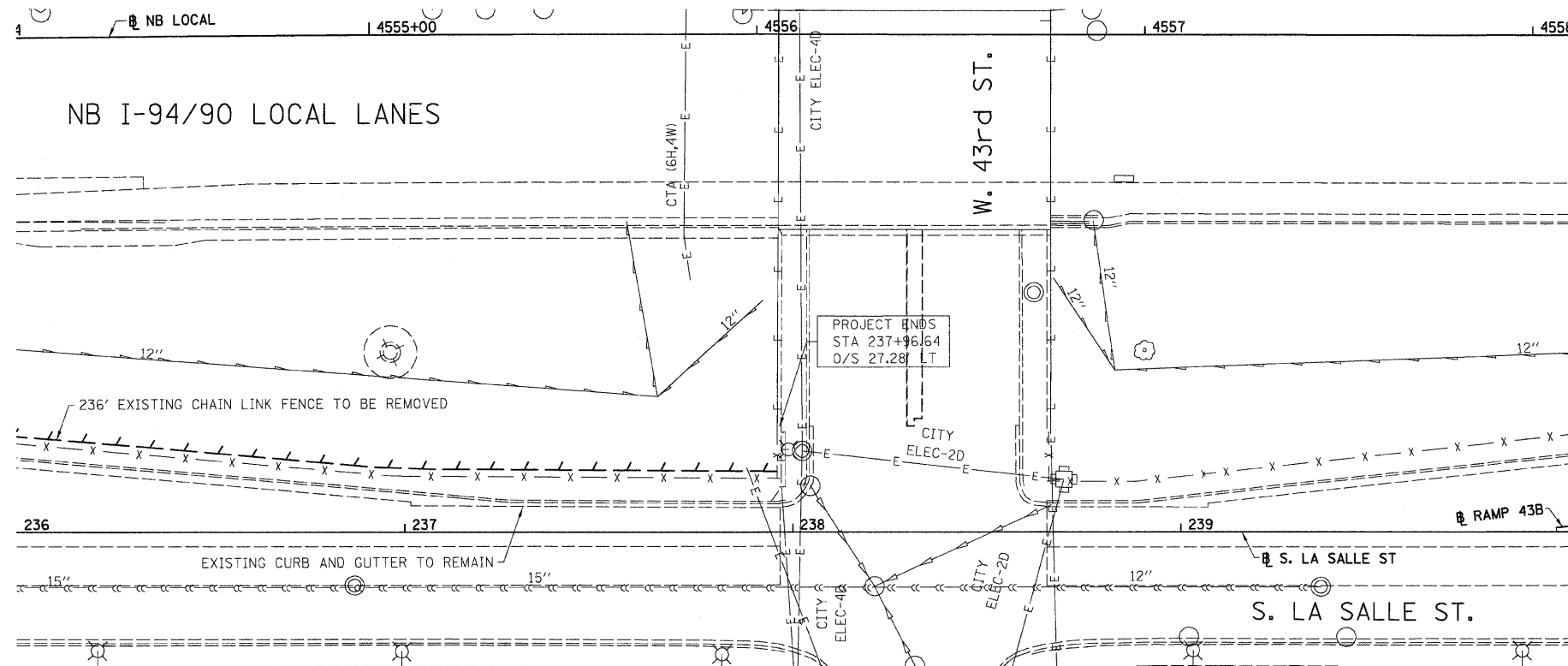
SCALE: NTS
DATE: 04/25/08

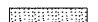

DRAWN BY: JDC
CHECKED BY: RS

7/16/2008 7:34:27 PM

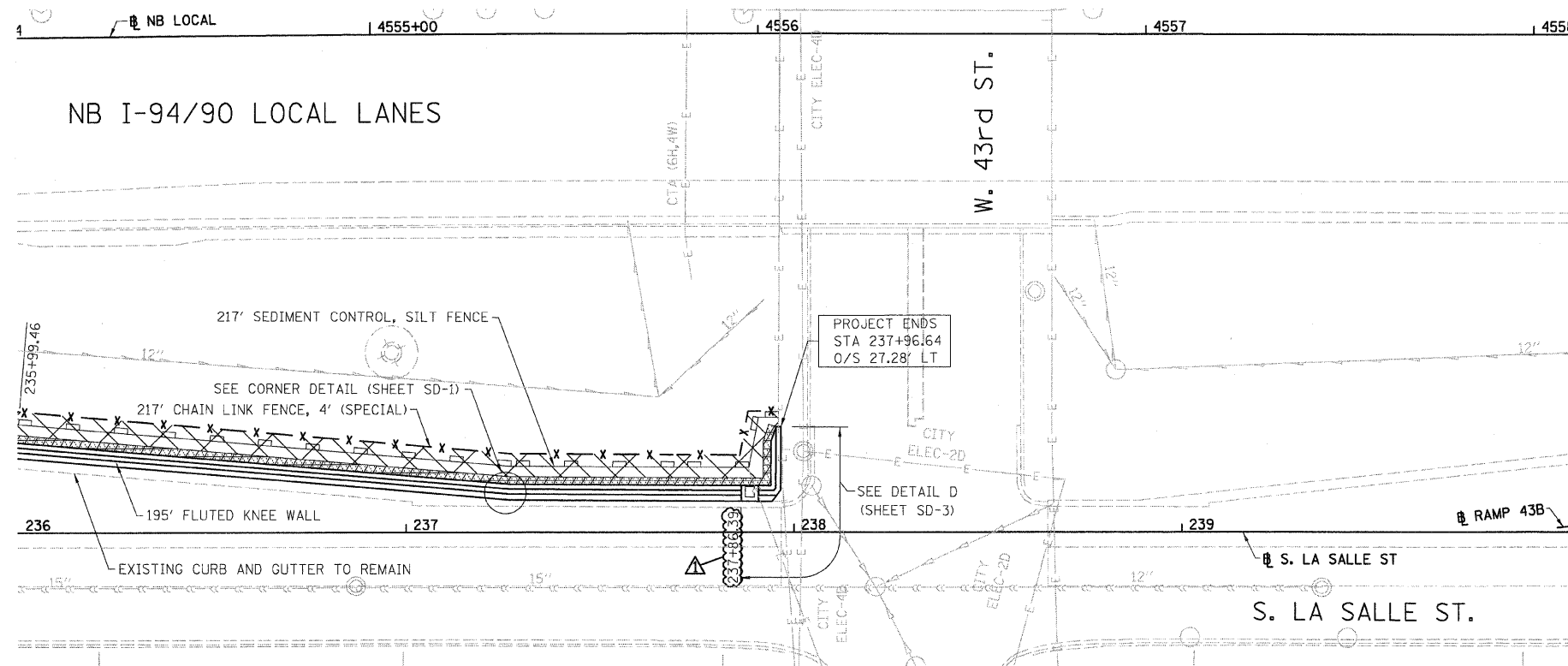
F.A.I.	SECTION	COUNTY	TOTAL SHEETS	SHEET NO.
94/90		COOK	30	13
STA.	TO STA.			
FED. ROAD DIST. NO.	ILLINOIS	FED. AID PROJECT		



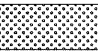

62989



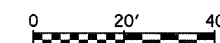
- LEGEND:
-  PAVED SHOULDER REMOVAL
 -  LINEAR REMOVALS

EXISTING CONDITIONS AND REMOVAL
PROPOSED IMPROVEMENTS



- LEGEND:
-  SEEDING, CLASS 2A
EROSION CONTROL BLANKET
 -  SEEDING, CLASS 4 (MODIFIED)
SEEDING CLASS 5A (MODIFIED)
EROSION CONTROL BLANKET
 -  TOPSOIL FURNISH AND PLACE, 4"
SEEDING, CLASS 2A
EROSION CONTROL BLANKET
 -  TOPSOIL FURNISH AND PLACE, 12"
SEEDING CLASS 4 (MODIFIED)
SEEDING, CLASS 5A (MODIFIED)
EROSION CONTROL BLANKET

- NOTES:
1. SEE STRUCTURAL DETAIL FOR FLUTED KNEE WALL DETAILS.
 2. ALL POINT CALLOUTS ARE TAKEN AT THE EDGE OF THE KNEE WALL BASE.



REVISIONS	
NAME	DATE
REVISOR	7-16-08

ILLINOIS DEPARTMENT OF TRANSPORTATION
F.A.I. 94/90 (DAN RYAN EXPRESSWAY)
NORTHBOUND KNEE WALLS (45TH ST TO 43RD ST)

EXISTING AND PROPOSED
KNEE WALL PLANS

SCALE: 1"=20'
DATE: 04/25/08

DRAWN BY: JDC
CHECKED BY: DDM

BOWMAN, BARRETT & ASSOCIATES INC.
CONSULTING ENGINEERS
Chicago, Illinois
312.228.0100
www.bbainc.com



PL-4
7/16/2008 PM 7:25:42

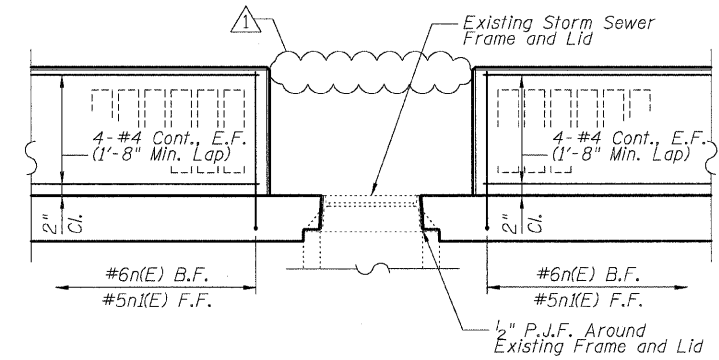
F.A.I.	SECTION	COUNTY	TOTAL SHEETS	SHEET NO.
94/90	*	COOK	30	15
STA.	TO STA.			
FED. ROAD DIST. NO.	ILLINOIS FED. AID PROJECT			
62989				

DETAIL B REINFORCEMENT SCHEDULE AND BILL OF MATERIAL

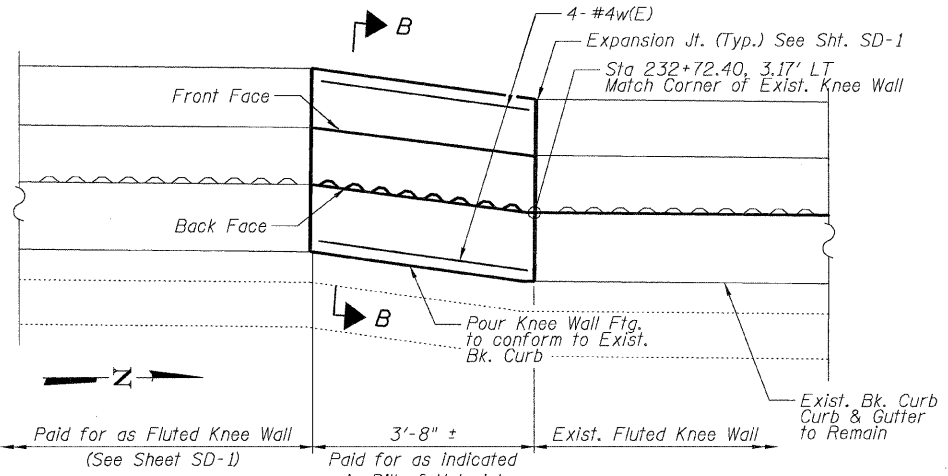
Bar	No.	Size	Length	Shape
h(E)	8	#4	3'-2"	—
n(E)	4	#6	5'-6"	L
n(E)	4	#5	5'-10"	L
w(E)	4	#4	3'-2"	—
Item		Unit	Qty.	
①	Concrete Structures	Cu. Yd.	0.6	
②	Concrete Superstructure	Cu. Yd.	0.5	
	Reinforcement Bars, Epoxy Coated	Pound	90	
	Rustication Finish	Sq. Ft.	7	
	Protective Coat	Sq. Yd.	3	

DETAIL C REINFORCEMENT SCHEDULE AND BILL OF MATERIAL

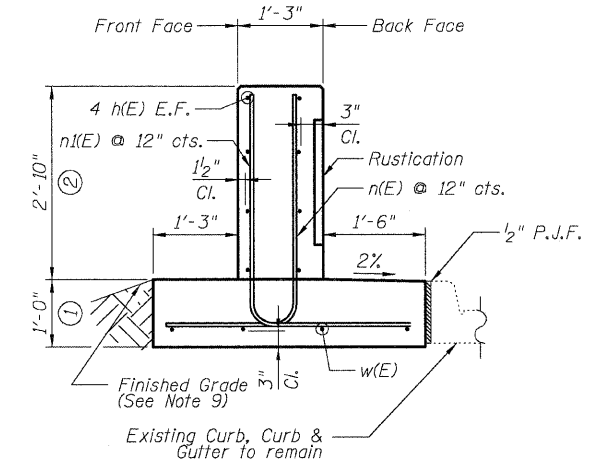
Bar	No.	Size	Length	Shape
h(E)	8	#4	26'-8"	—
n(E)	28	#6	5'-6"	L
n(E)	28	#5	5'-10"	L
t(E)	28	#6	5'-2"	—
w(E)	4	#4	26'-8"	—
Item		Unit	Qty.	
①	Concrete Structures	Cu. Yd.	4.8	
②	Concrete Superstructure	Cu. Yd.	3.6	
	Reinforcement Bars, Epoxy Coated	Pound	840	
	Rustication Finish	Sq. Ft.	50	
	Protective Coat	Sq. Yd.	19	



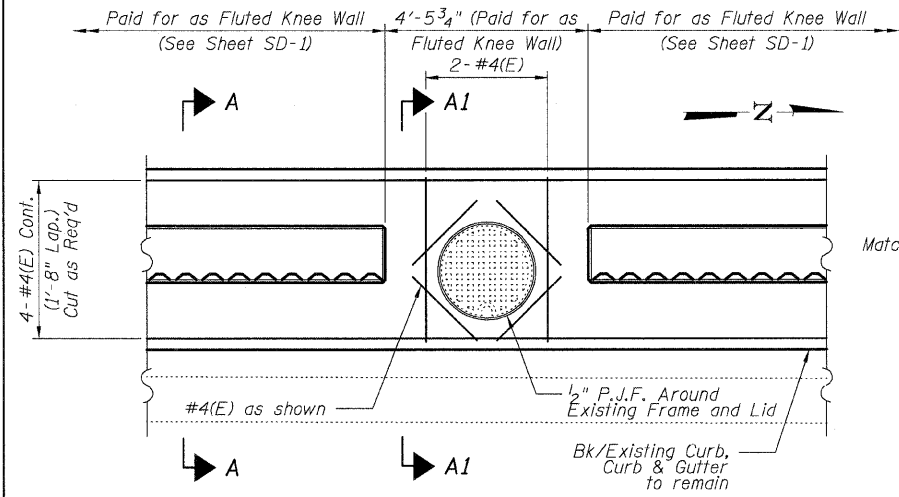
DETAIL A - ELEVATION



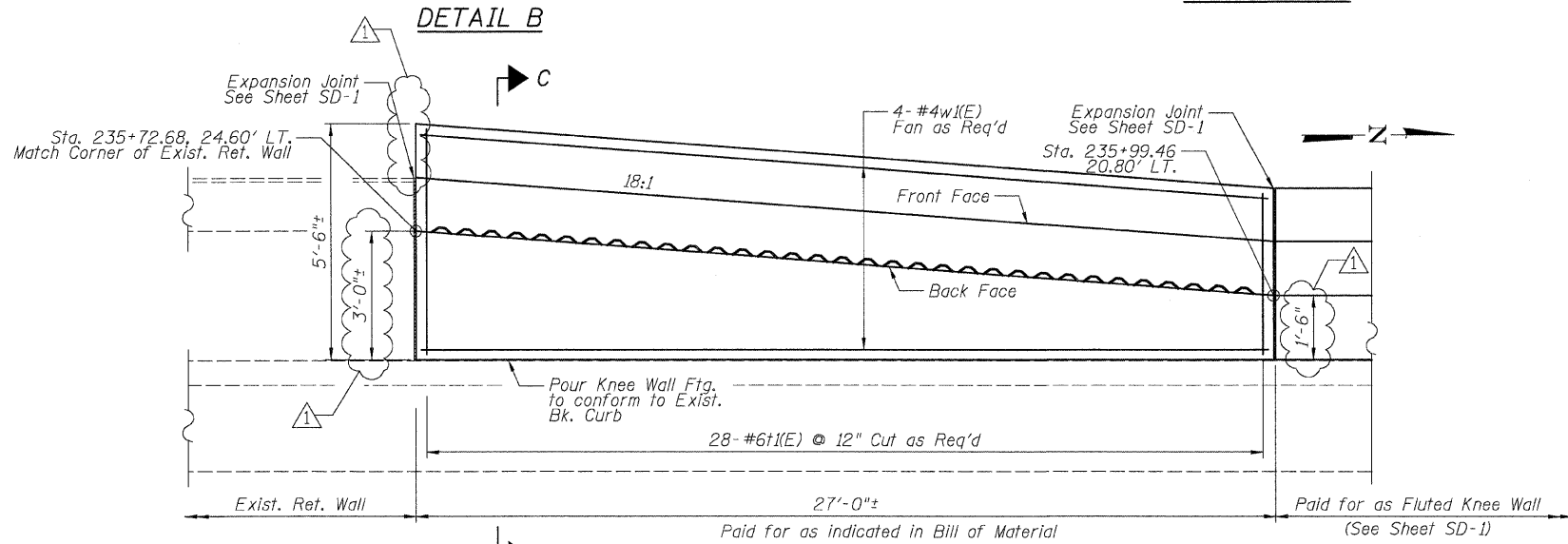
S. LA SALLE ST. DETAIL B



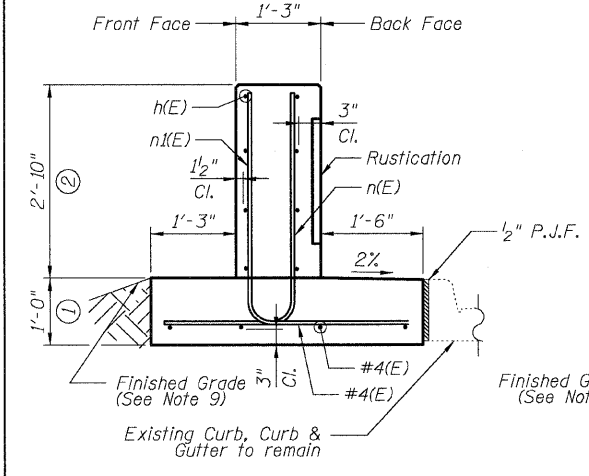
SECTION B-B



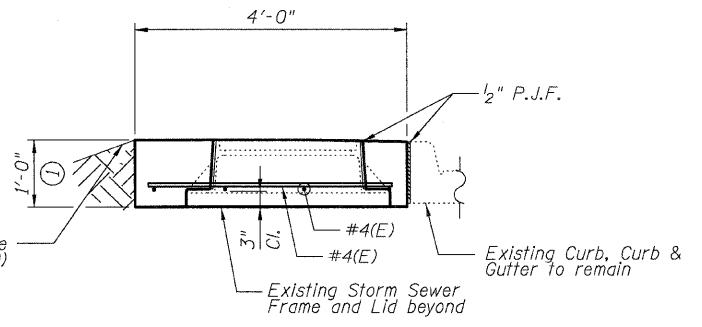
DETAIL A - PLAN



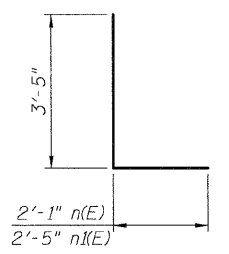
S. LA SALLE ST. DETAIL C



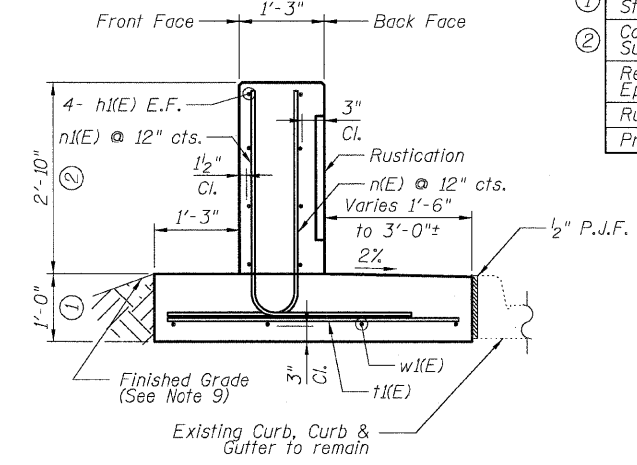
SECTION A-A



SECTION A1-A1



Bar n(E) & n(E)



SECTION C-C

NOTES:

- All stations and offsets measured from S. La Salle St. ☊.
- Back Face is face adjacent to Frontage Rd. and Front Face is face adjacent to Expressway.
- Concrete: f'c = 3500 psi
- Provide California Finish on top of Foundation between stem and Frontage Road. See Roadway Details.
- At locations where Fluted Knee Wall abuts a rigid Structure, a 1/2" thick Preformed Expansion Joint Filler conforming to the shape of the Structure shall be installed between the Fluted Knee Wall and the Structure.
- Apply Protective Coat to top and back face of stem and top of Frontage Road side of foundation.
- For Fluted Knee Wall standard details, see Sheet SD-1
- B.F. = Back Face (Frontage Road Side)
F.F. = Front Face (Expressway Side)
E.F. = Each Face
- Shape finished grade as required to match existing conditions.
- P.J.F. included in cost of concrete structures.

REVISIONS	
NAME	DATE
ADDENDUM 1	7-16-08

SHEET SD-2

ILLINOIS DEPARTMENT OF TRANSPORTATION
**F.A.I. 94/90 (DAN RYAN EXPRESSWAY)
 NORTHBOUND KNEE WALLS (45TH ST TO 43RD ST)**

DETAILS A, B, & C

SCALE: NTS
 DATE: 04/25/08

DRAWN BY: TL
 CHECKED BY: BLU

BOWMAN, BARRETT & ASSOCIATES INC.
 CONSULTING ENGINEERS
 Chicago, Illinois
 312.228.0100
 www.bbainc.com

7/16/2008 5:51:29 PM

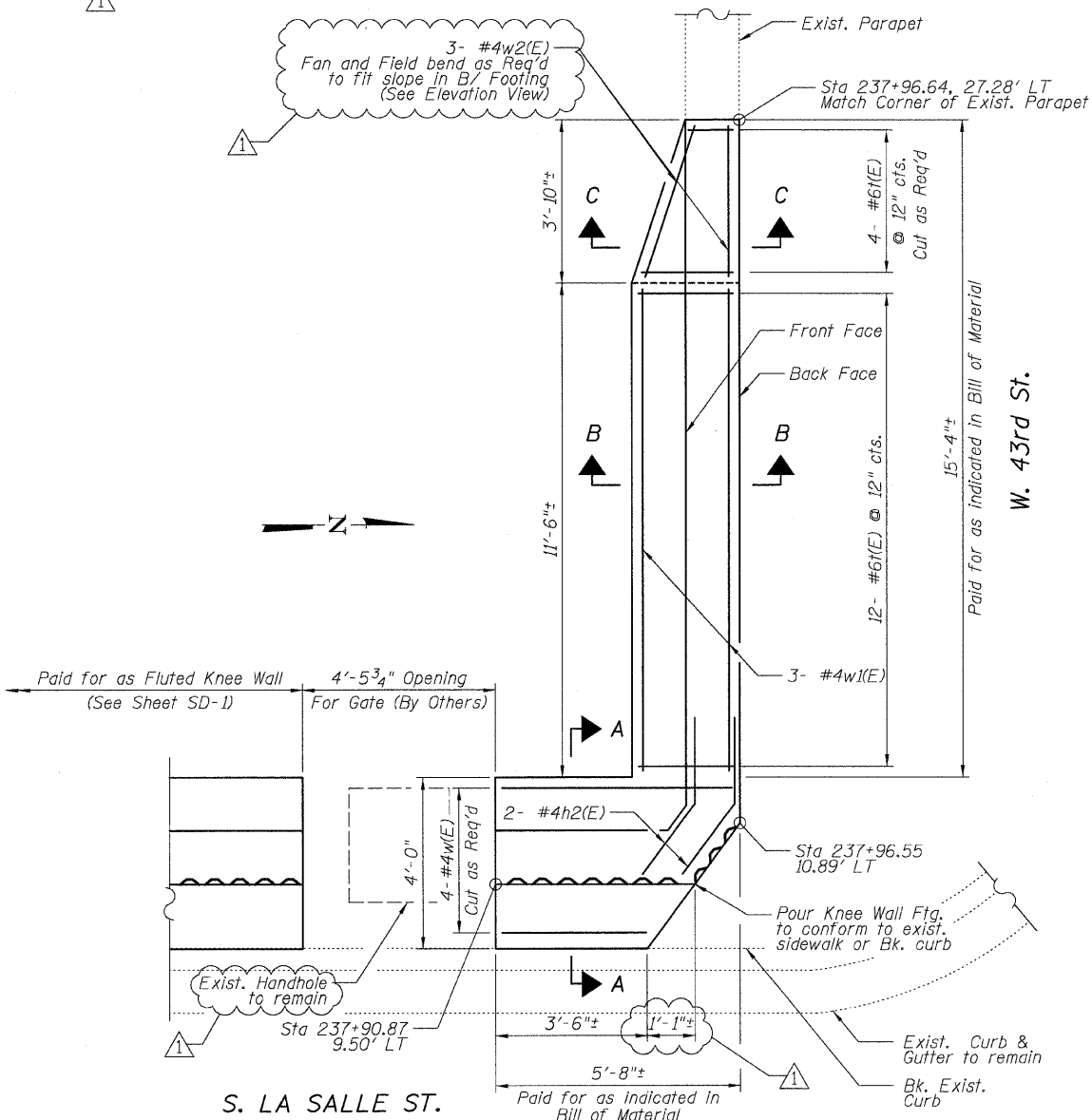
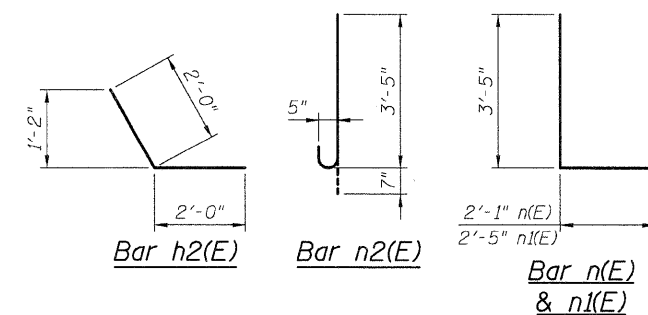
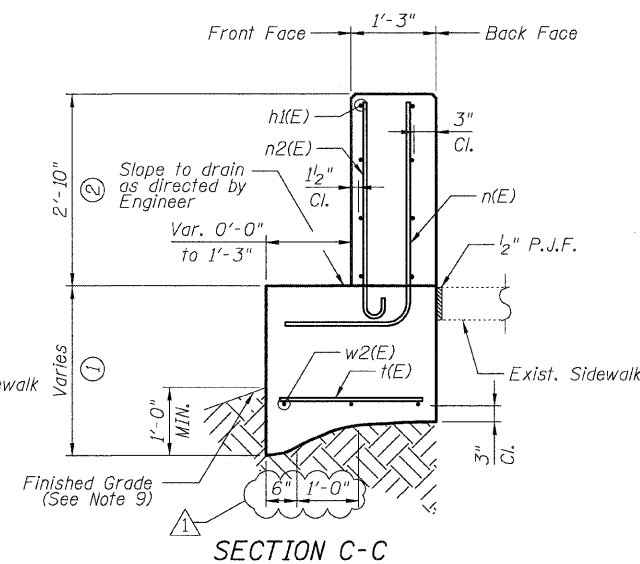
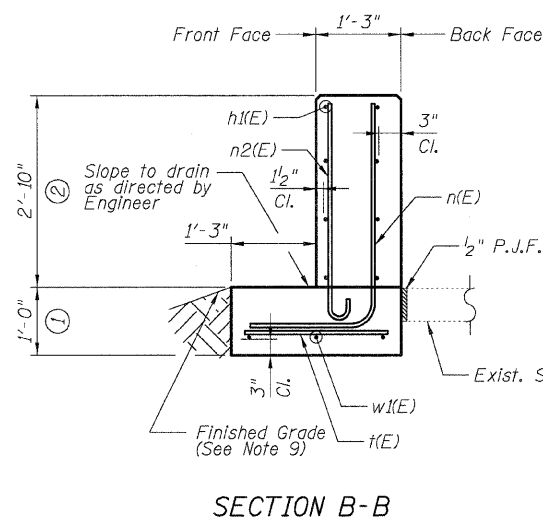
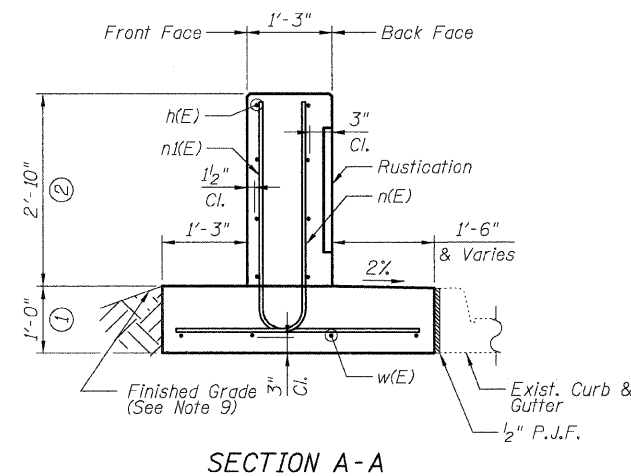
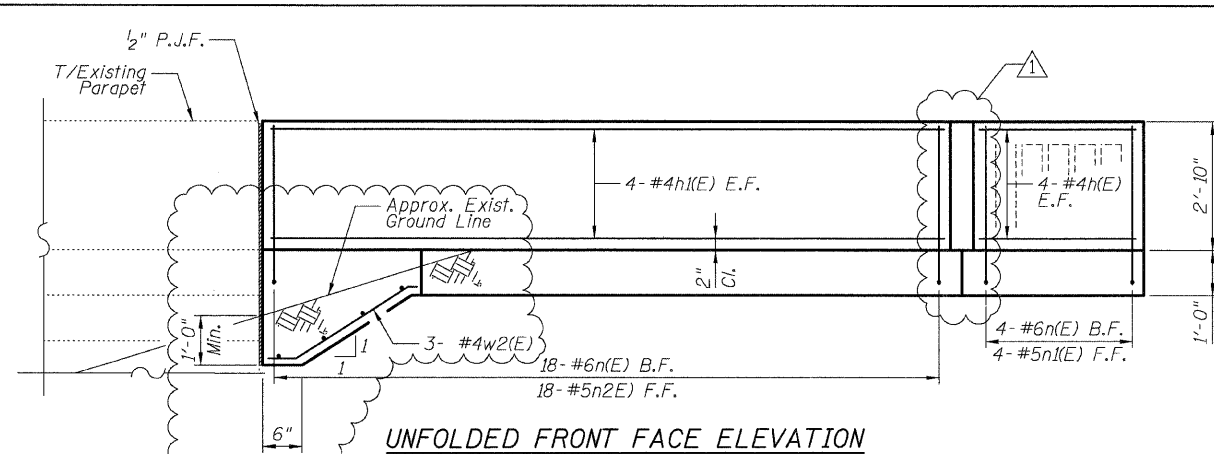
F.A.I.	SECTION	COUNTY	TOTAL SHEETS	SHEET NO.
94/90	*	COOK	30	16
STA.	TO STA.			
FED. ROAD DIST. NO.	ILLINOIS	FED. AID PROJECT		
62989				

**DETAIL D REINFORCEMENT
SCHEDULE AND
BILL OF MATERIAL**

Bar	No.	Size	Length	Shape
h(E)	8	#4	4'-2"	—
h1(E)	8	#4	16'-2"	—
h2(E)	2	#4	4'-0"	⌒
n(E)	22	#6	5'-6"	L
n1(E)	4	#5	5'-10"	L
n2(E)	18	#5	4'-0"	⌒
t(E)	16	#6	2'-2"	—
w(E)	4	#4	5'-4"	—
w1(E)	3	#4	11'-2"	—
w2(E)	3	#4	3'-6"	—
Item		Unit	Qty.	
①	Concrete Structures	Cu. Yd.	2.4	
②	Concrete Superstructure	Cu. Yd.	2.8	
	Reinforcement Bars, Epoxy Coated	Pound	500	
	Rustication Finish	Sq. Ft.	13	
	Protective Coat	Sq. Yd.	11	

NOTES:

- All stations and offsets measured from S. La Salle St. \perp .
- Back Face is face adjacent to Frontage Rd. and Front Face is face adjacent to Expressway.
- Concrete: $f'c = 3500$ psi
- Provide California Finish on top of foundation between stem and Frontage Road. See Roadway Details.
- At locations where Fluted Knee Wall abuts a rigid structure, a $\frac{1}{2}$ " thick Preformed Expansion Joint Filler conforming to the shape of the structure shall be installed between the Fluted Knee Wall and the structure.
- Apply Protective Coat to top and back face of stem and top of Frontage Road side of foundation.
- For Fluted Knee Wall standard details, see Sheet SD-1
- B.F. = Back Face (Frontage Road Side)
F.F. = Front Face (Expressway Side)
E.F. = Each Face
- Shape finished grade as required to match existing conditions.
- P.J.F. included in cost of concrete structures.



S. LA SALLE ST.

DETAIL D - PLAN

BOWMAN, BARRETT & ASSOCIATES INC.
CONSULTING ENGINEERS
Chicago, Illinois
312.228.0100
www.bbainc.com

REVISIONS	
NAME	DATE
ADDENDUM 1	7-16-08

ILLINOIS DEPARTMENT OF TRANSPORTATION
F.A.I. 94/90 (DAN RYAN EXPRESSWAY)
NORTHBOUND KNEE WALLS (45TH ST TO 43RD ST)

DETAIL D

SCALE: NTS
DATE: 04/25/08

DRAWN BY: TL
CHECKED BY: BLU

11/16/2008 5:51:52 PM