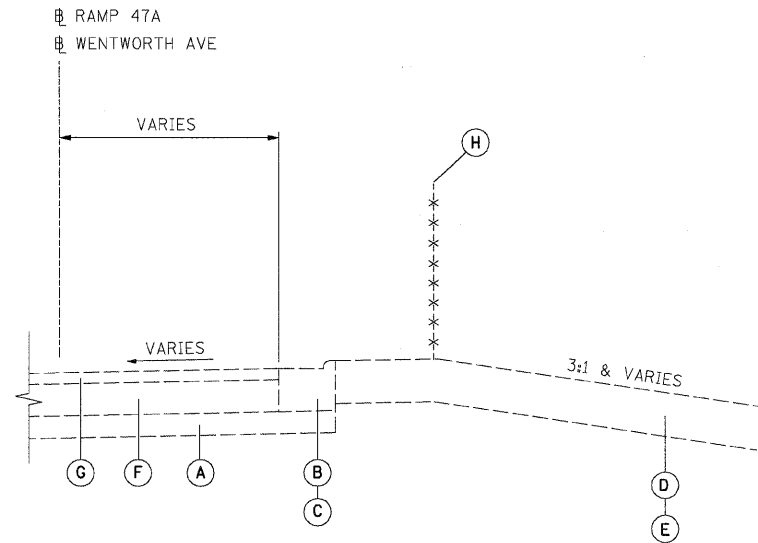
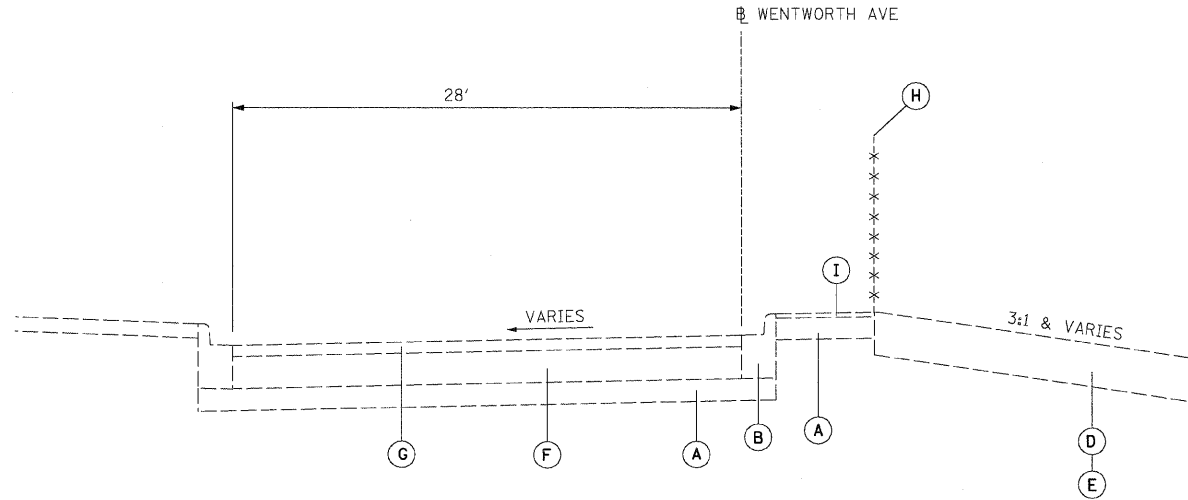


F.A.I.	SECTION	COUNTY	TOTAL SHEETS	SHEET NO.
94/90		COOK	41	4
STA.		TO STA.		
FED. ROAD DIST. NO.		ILLINOIS	FED. AID PROJECT	
62995				



**EXISTING TYPICAL SECTION**

STA. 5074+05.69 to 5070+72.56  
 STA. 24+86 to 27+12.10  
 STA. 7050+94 to 30+02.03

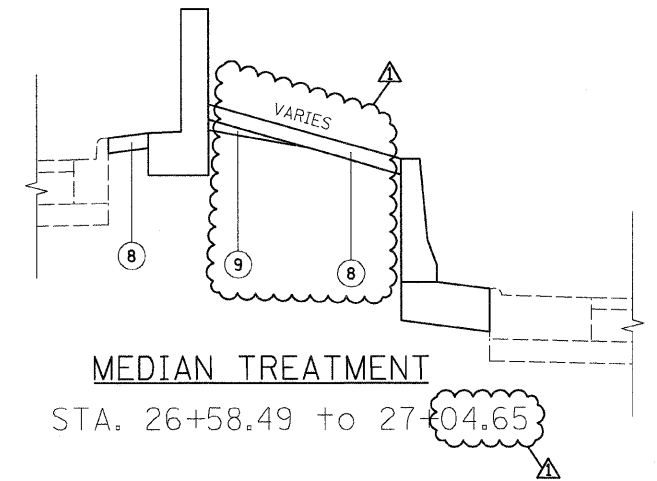


**EXISTING TYPICAL SECTION**

STA. 17+95.24 to 24+86

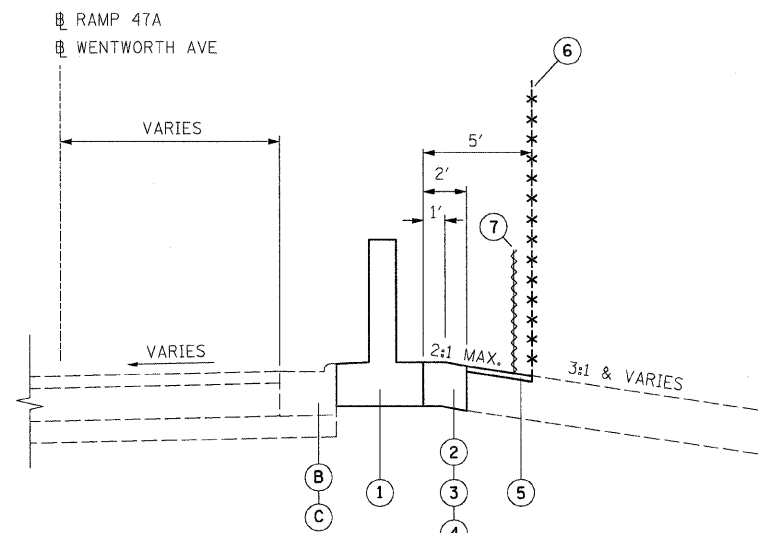
**EXISTING LEGEND**

- (A) GRANULAR MATERIAL, 6"
- (B) COMBINATION CONCRETE CURB AND GUTTER, TYPE B-6.12
- (C) COMBINATION CONCRETE CURB AND GUTTER, TYPE M-4.24
- (D) TOPSOIL, 4"
- (E) TOPSOIL, 12"
- (F) PORTLAND CEMENT CONCRETE PAVEMENT, 9"
- (G) BITUMINOUS CONCRETE, 3"
- (H) CHAIN LINK FENCE, 4'
- (I) BITUMINOUS MEDIAN SURFACE, 1 1/2"



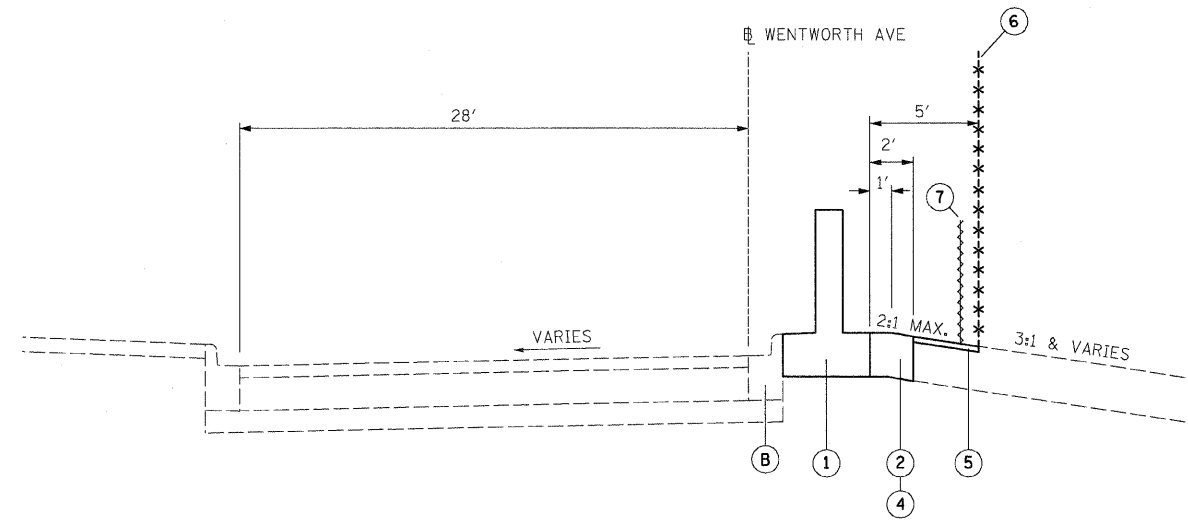
**MEDIAN TREATMENT**

STA. 26+58.49 to 27+04.65



**PROPOSED TYPICAL SECTION**

STA. 5073+93.27 to 5071+00  
 STA. 24+86 to 26+58.49  
 STA. 7050+94 to 29+98.33



**PROPOSED TYPICAL SECTION**

STA. 18+15.10 to 24+86

**PROPOSED LEGEND**

- (1) FLUTED KNEE WALL
- (2) SEEDING, CLASS 2A / TOPSOIL FURNISH AND PLACE, 4" / EROSION CONTROL BLANKET
- (3) SEEDING, CLASS 2A / TOPSOIL FURNISH AND PLACE, 12" / EROSION CONTROL BLANKET
- (4) SEEDING, CLASS 4 (MODIFIED) / SEEDING, CLASS 5A (MODIFIED) / TOPSOIL FURNISH AND PLACE, 12" / EROSION CONTROL BLANKET
- (5) SEEDING, CLASS 2A / SEEDING, CLASS 4 (MODIFIED) / SEEDING CLASS 5A (MODIFIED) / EROSION CONTROL BLANKET
- (6) CHAIN LINK FENCE, 4' (SPECIAL)
- (7) SEDIMENT CONTROL, SILT FENCE (TO BE REMOVED AT PROJECT COMPLETION)
- (8) CONCRETE MEDIAN SURFACE, 6" (SPECIAL)
- (9) SAND BACKFILL

TYP-1

**NOTES:**

1. THICKNESS OF EXISTING PAVEMENT AND GRANULAR MATERIAL ARE TAKEN FROM RECORD DRAWING PLANS.
2. TYPICAL SECTIONS NEED TO BE VERIFIED WITH THE PLANS AS THEY ARE A REPRESENTATION OF THE PLANS. THEY DO NOT SHOW ALL CONFIGURATIONS, JUST THE MOST PREDOMINANT.

BOWMAN, BARRETT & ASSOCIATES INC  
 CONSULTING ENGINEERS  
 Chicago, Illinois  
 312.228.0100  
 www.bbainc.com

REVISIONS	
NAME	DATE
REVISOR	7-16-08

ILLINOIS DEPARTMENT OF TRANSPORTATION  
 F.A.I. 94/90 (DAN RYAN EXPRESSWAY)  
 SOUTHBOUND KNEE WALLS (47TH ST TO 43RD ST)

**TYPICAL SECTIONS**

SCALE: NTS  
 DATE: 04/25/08

DRAWN BY: JDC  
 CHECKED BY: RS

7/17/2008 9:42:46 AM