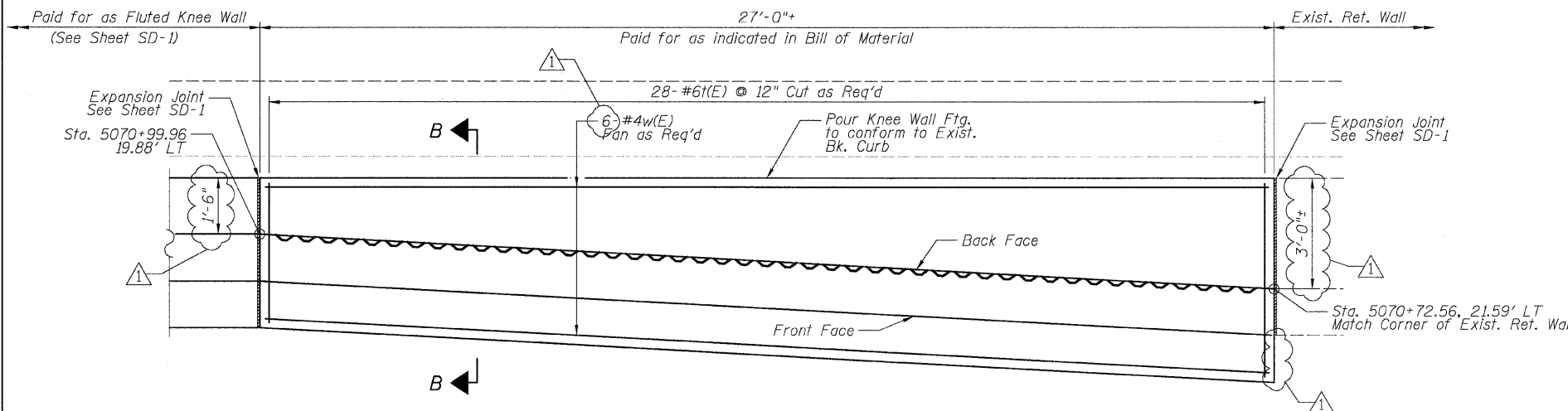
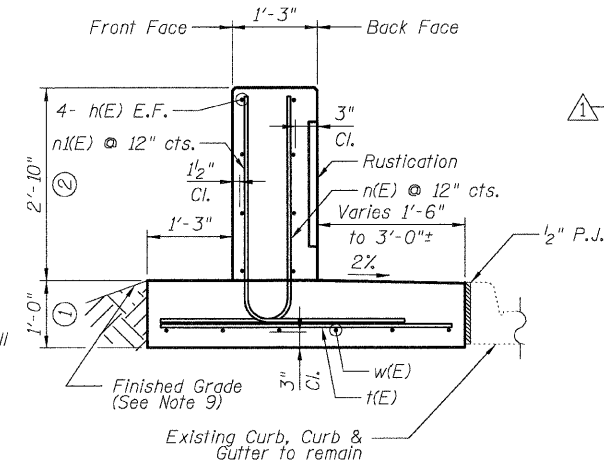


F.A.I.	SECTION	COUNTY	TOTAL SHEETS	SHEET NO.
94/90	*	COOK	41	19
STA.	TO STA.			
FED. ROAD DIST. NO.	ILLINOIS	FED. AID PROJECT		
62995				

S. WENTWORTH AVE.



DETAIL B

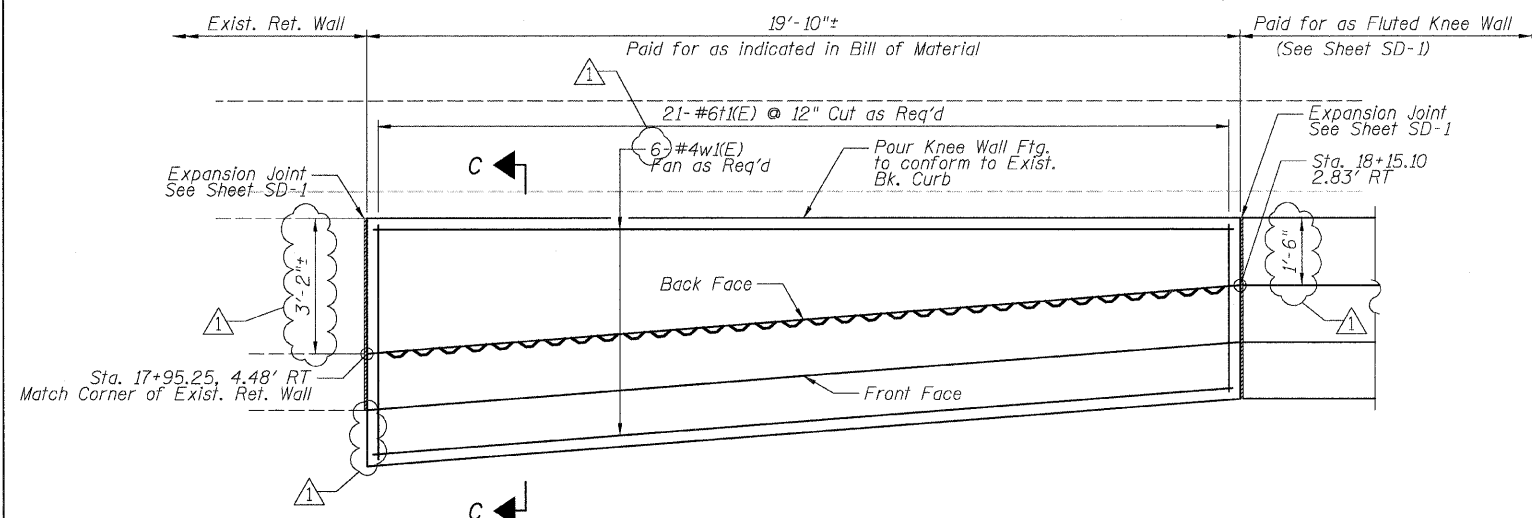


SECTION B-B

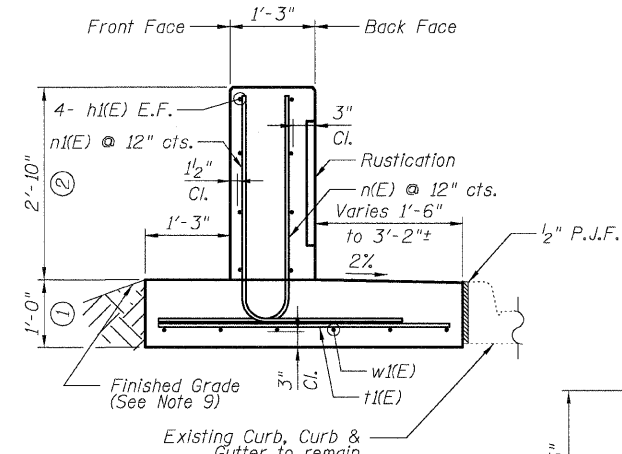
DETAIL B REINFORCEMENT SCHEDULE AND BILL OF MATERIAL

Bar	No.	Size	Length	Shape
h(E)	8	#4	26'-6"	—
n(E)	28	#6	5'-6"	L
n(E)	28	#5	5'-10"	L
h(E)	28	#6	5'-2"	—
w(E)	6	#4	26'-6"	—
Item	Unit	Qty.		
Concrete Structures	Cu. Yd.	4.8		
Concrete Superstructure	Cu. Yd.	3.6		
Reinforcement Bars, Epoxy Coated	Pound	870		
Rustication Finish	Sq. Ft.	50		
Protective Coat	Sq. Yd.	19		

S. WENTWORTH AVE.



DETAIL C



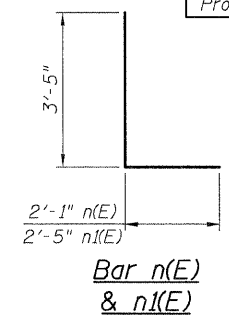
SECTION C-C

DETAIL C REINFORCEMENT SCHEDULE AND BILL OF MATERIAL

Bar	No.	Size	Length	Shape
h(E)	8	#4	19'-4"	—
n(E)	21	#6	5'-6"	L
n(E)	21	#5	5'-10"	L
h(E)	21	#6	5'-4"	—
w(E)	6	#4	19'-4"	—
Item	Unit	Qty.		
Concrete Structures	Cu. Yd.	3.6		
Concrete Superstructure	Cu. Yd.	2.7		
Reinforcement Bars, Epoxy Coated	Pound	660		
Rustication Finish	Sq. Ft.	37		
Protective Coat	Sq. Yd.	15		

NOTES:

- Stations and offsets measured from Ramp 47A @ for Detail B, and from S. Wentworth Ave. @ for Detail C.
- Back Face is face adjacent to Frontage Rd. and Front Face is face adjacent to Expressway.
- Concrete: f'c = 3500 psi
- Provide California Finish on top of Foundation between stem and Frontage Road. See Roadway Details.
- At locations where Fluted Knee Wall abuts a rigid Structure, a 1/2" thick Preformed Expansion Joint Filler conforming to the shape of the Structure shall be installed between the Fluted Knee Wall and the Structure.
- Apply Protective Coat to top and back face of stem and top of Frontage Road side of foundation.
- For Fluted Knee Wall standard details, see Sheet SD-1
- B.F. = Back Face (Frontage Road Side)  
F.F. = Front Face (Expressway Side)  
E.F. = Each Face
- Shape finished grade as required to match existing conditions.
- P.J.F. included in cost of concrete structures.



REVISIONS	
NAME	DATE
ADDENDUM 1	7-16-08

SHEET SD-3

ILLINOIS DEPARTMENT OF TRANSPORTATION  
F.A.I. 94/90 (DAN RYAN EXPRESSWAY)  
SOUTHBOUND KNEE WALLS (47TH ST TO 43RD ST)

DETAILS B & C

SCALE: NTS  
DATE: 04/25/08

DRAWN BY: TL  
CHECKED BY: BLU

BOWMAN, BARRETT & ASSOCIATES INC.  
CONSULTING ENGINEERS  
Chicago, Illinois  
312.228.0100  
www.bbainc.com

11-650-0001/01/132A SHEET 19/60 5/5/08