

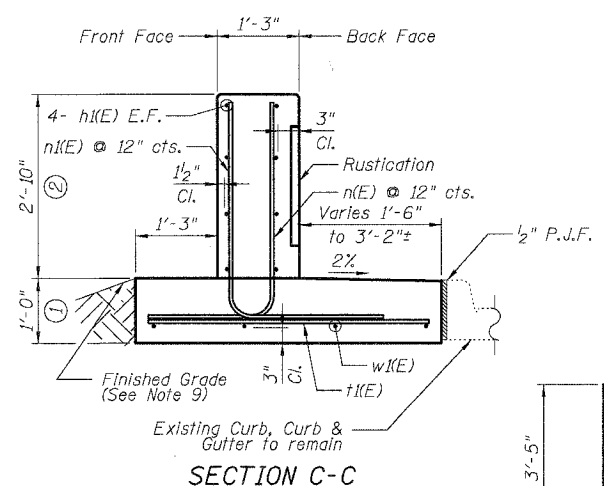
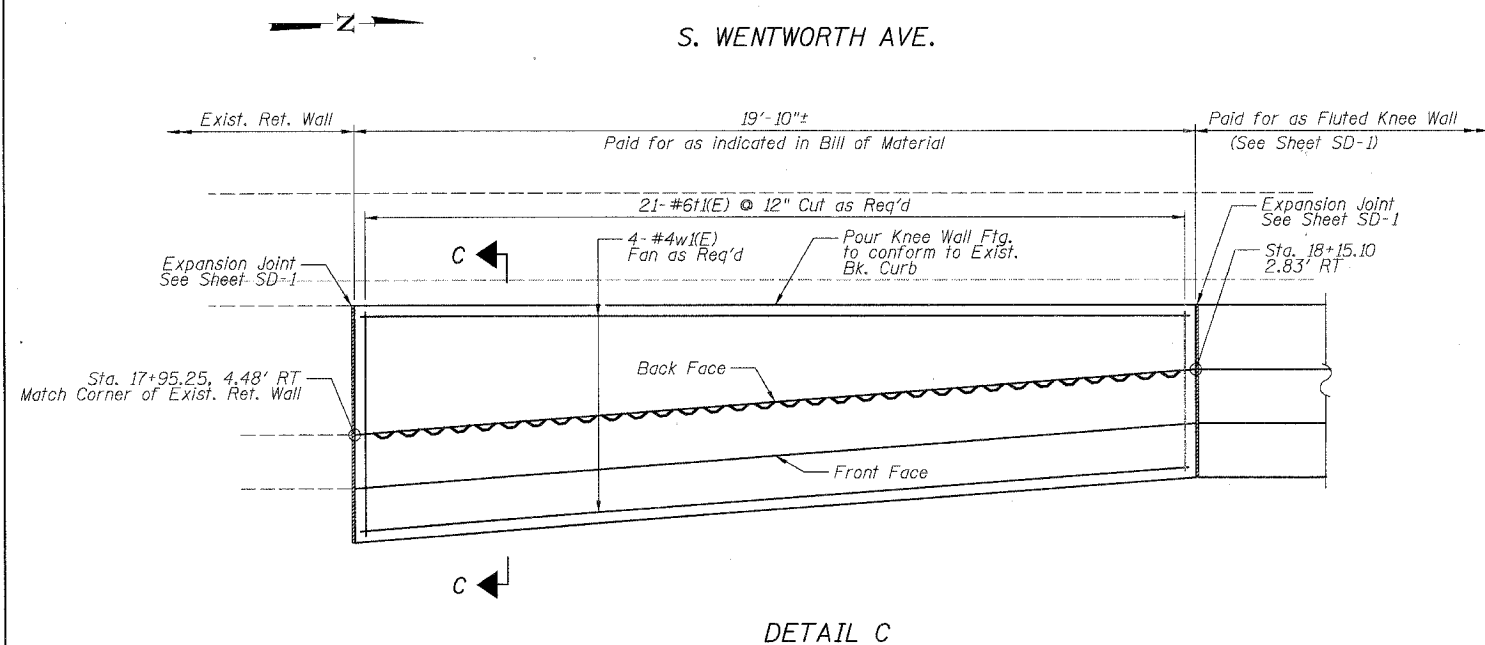
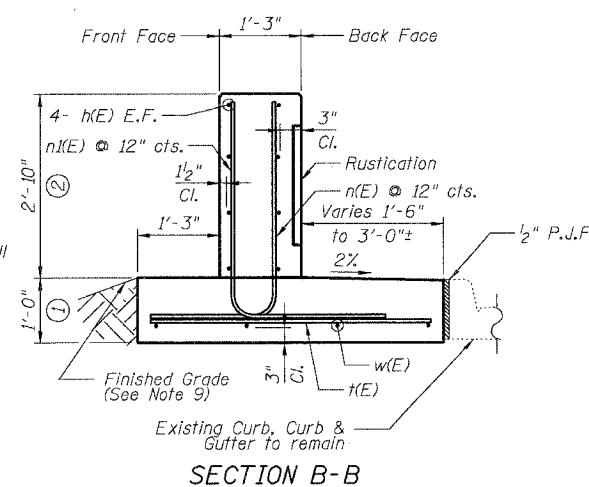
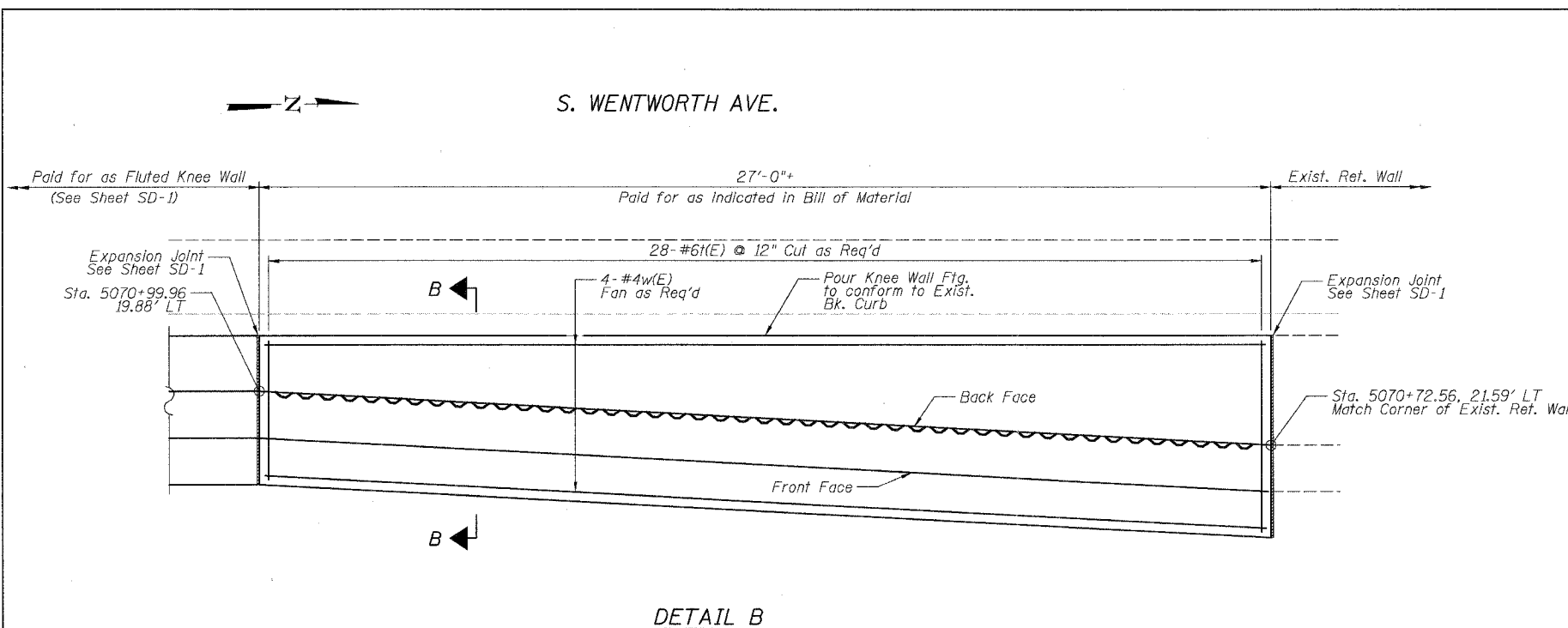
|                     |          |                  |              |           |
|---------------------|----------|------------------|--------------|-----------|
| F.A.I.              | SECTION  | COUNTY           | TOTAL SHEETS | SHEET NO. |
| 94/90               |          | COOK             | 41           | 19        |
| STA.                | TO STA.  |                  |              |           |
| FED. ROAD DIST. NO. | ILLINOIS | FED. AID PROJECT | 62995        |           |

**DETAIL B REINFORCEMENT SCHEDULE AND BILL OF MATERIAL**

| Bar                              | No.     | Size | Length | Shape |
|----------------------------------|---------|------|--------|-------|
| h(E)                             | 8       | #4   | 26'-6" | —     |
| n(E)                             | 28      | #6   | 5'-6"  | L     |
| n(E)                             | 28      | #5   | 5'-10" | L     |
| t(E)                             | 28      | #6   | 5'-2"  | —     |
| w(E)                             | 4       | #4   | 26'-6" | —     |
| Item                             | Unit    | Qty. |        |       |
| ① Concrete Structures            | Cu. Yd. | 4.8  |        |       |
| ② Concrete Superstructure        | Cu. Yd. | 3.6  |        |       |
| Reinforcement Bars, Epoxy Coated | Pound   | 840  |        |       |
| Rustication Finish               | Sq. Ft. | 50   |        |       |
| Protective Coat                  | Sq. Yd. | 19   |        |       |

**DETAIL C REINFORCEMENT SCHEDULE AND BILL OF MATERIAL**

| Bar                              | No.     | Size | Length | Shape |
|----------------------------------|---------|------|--------|-------|
| h(E)                             | 8       | #4   | 19'-4" | —     |
| n(E)                             | 21      | #6   | 5'-6"  | L     |
| n(E)                             | 21      | #5   | 5'-10" | L     |
| t(E)                             | 21      | #6   | 5'-4"  | —     |
| w(E)                             | 4       | #4   | 19'-4" | —     |
| Item                             | Unit    | Qty. |        |       |
| ① Concrete Structures            | Cu. Yd. | 3.6  |        |       |
| ② Concrete Superstructure        | Cu. Yd. | 2.7  |        |       |
| Reinforcement Bars, Epoxy Coated | Pound   | 630  |        |       |
| Rustication Finish               | Sq. Ft. | 37   |        |       |
| Protective Coat                  | Sq. Yd. | 15   |        |       |



**NOTES:**

- Stations and offsets measured from Ramp 47A @ for Detail B, and from S. Wentworth Ave. @ for Detail C.
- Back Face is face adjacent to Frontage Rd. and Front Face is face adjacent to Expressway.
- Concrete: f'c = 3500 psi
- Provide California Finish on top of foundation between stem and Frontage Road. See Roadway Details.
- At locations where Fluted Knee Wall abuts a rigid Structure, a 1/2" thick Preformed Expansion Joint Filler conforming to the shape of the Structure shall be installed between the Fluted Knee Wall and the Structure.
- Apply Protective Coat to top and back face of stem and top of Frontage Road side of foundation.
- For Fluted Knee Wall standard details, see Sheet SD-1
- B.F. = Back Face (Frontage Road Side)  
F.F. = Front Face (Expressway Side)  
E.F. = Each Face
- Shape finished grade as required to match existing conditions.
- P.J.F. included in cost of concrete structures.

| REVISIONS | NAME | DATE |
|-----------|------|------|
|           |      |      |
|           |      |      |
|           |      |      |
|           |      |      |
|           |      |      |

SHEET SD-3

ILLINOIS DEPARTMENT OF TRANSPORTATION  
F.A.I. 94/90 (DAN RYAN EXPRESSWAY)  
SOUTHBOUND KNEE WALLS (47TH ST TO 43RD ST)

DETAILS B & C

SCALE: NTS  
DATE: 04/25/08

DRAWN BY: TL  
CHECKED BY: BLU

BOWMAN, BARRETT & ASSOCIATES INC.  
CONSULTING ENGINEERS  
Chicago, Illinois  
312.228.0100  
www.bbainc.com

44-354 714 4/24/2008